

Self Priming Diaphragm Pump



Models 2D-E.50 1P and 2D-E.50 3P



Size 2" x 2"



Shown with Optional Wheel Kit



PUMP SPECIFICATIONS

Size: 2" x 2" (51 mm x 51 mm) NPT - Female.
Handles 1 1/2" (38,1 mm) Diameter Spherical Solids.
Suction and Discharge Flanges: Gray Iron 30.
Eccentric Cam: Ductile Iron 65-45-12.
Gearbox Housing: Gray Iron.
Plunger Spring: Stainless Steel 302.
Drive Shaft: Steel.
Diaphragm: Nylon Reinforced Neoprene.
Diaphragm Pot: Gray Iron 30.
Diaphragm Retainer Ring: Aluminum.
Upper Diaphragm Plate: Gray Iron 30.
Lower Diaphragm Plate: Carbon Steel 1010/1020.
Flap Valves: Nylon Reinforced Neoprene.
Flap Valve Weights: Steel.

PUMP DATA

Maximum RPM: 60.
BHP Required: 0.50.
Gear Ratio: 29:1.
Mounting: Stationary Base.

Standard Equipment: Strainer. Eccentric Guard. Carry Handle.

Optional Equipment: Wheel Kit ^{w/}Semi-Pneumatic Tires.

MOTOR SPECIFICATIONS

Type: Open Drip-Proof.
Horsepower: 0.50.
Frame Size: 56C.
Voltage:
2D-E.50 1P; Single Phase, 115/230 Volts, 60 Hertz.
2D-E.50 3P; Three Phase, 230/460 Volts, 60 Hertz.
RPM: 1800.



GORMAN-RUPP PUMPS

www.grpumps.com

Specifications Subject to Change Without Notice

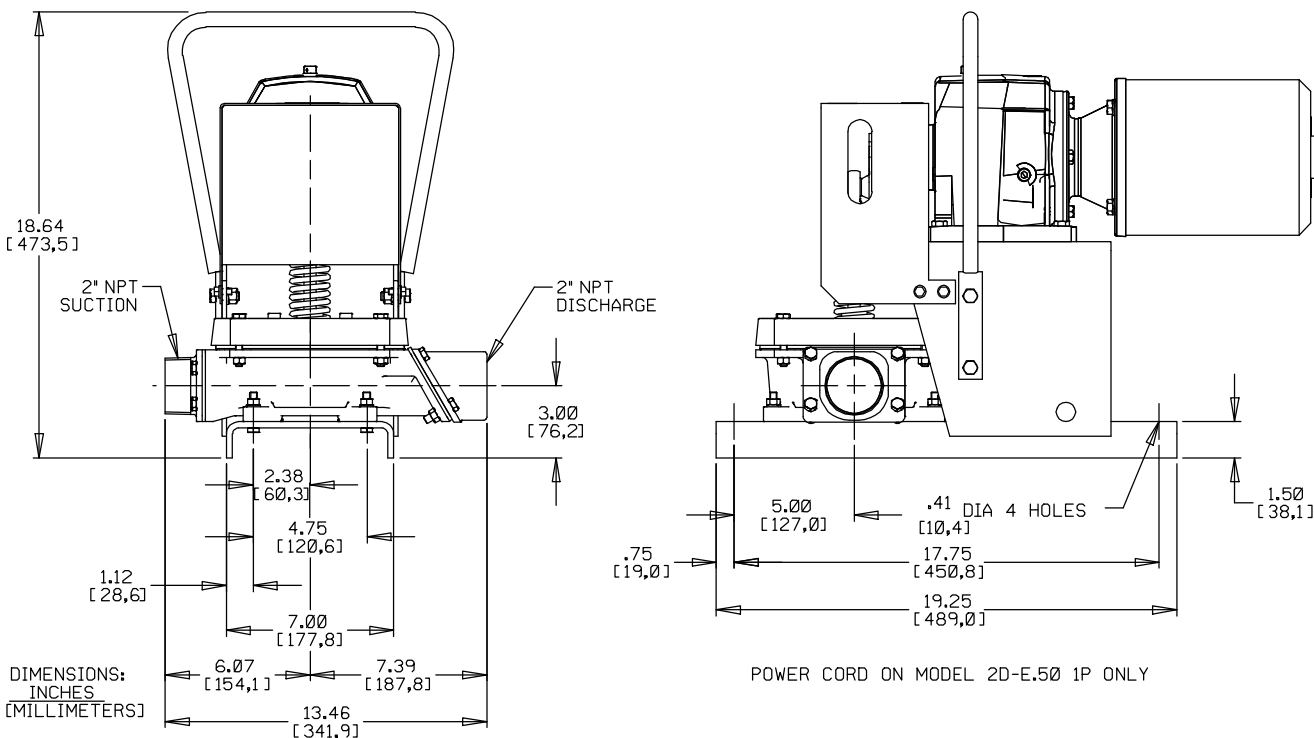
Printed in U.S.A.

Specification Data

SECTION 120, PAGE 80

APPROXIMATE DIMENSIONS and WEIGHTS

	STATIONARY BASE	2-WHEEL
PUMP NET WEIGHT:	105 LBS. (47,6 KG.)	130 LBS. (59 KG.)
SHIPPING NET WEIGHT:	120 LBS. (54,4 KG.)	145 LBS. (65,8 KG.)
EXPORT CRATE SIZE:	7.1 CU. FT. (0,20 CU. M.)	8.5 CU. FT. (0,24 CU. M.)



2D PUMP PERFORMANCE

IN GALLONS PER MINUTE AT 60 STROKES PER MINUTE					
STATIC LIFT IN FEET	STATIC DISCHARGE HEAD IN FEET				
	0	5	10	15	20
5	27	26	24	22	20
10	25	24	21	20	19
15	22	21	20	19	18
20	21	20	19	18	17

IN GALLONS PER MINUTE AT 60 STROKES PER MINUTE					
STATIC LIFT IN METERS	STATIC DISCHARGE HEAD IN METERS				
	0	1.5	3.0	4.6	6.1
1.5	102.2	98.4	90.8	83.3	75.7
3.0	94.6	90.8	79.5	75.7	71.9
4.6	83.3	79.5	75.7	71.9	68.1
6.1	79.5	75.7	71.9	68.1	64.3

Above Performance with 70°F (21°C)*Clear Water at Sea Level
Using 2 in. (5,1 cm) Non-Collapsible Suction Hose and 2 in. (5,1 cm) Discharge Hose.



GORMAN-RUPP PUMPS

www.grpumps.com

Specifications Subject to Change Without Notice

Printed in U.S.A.