

B

Self Priming Centrifugal Pump

Electric Motor Driven

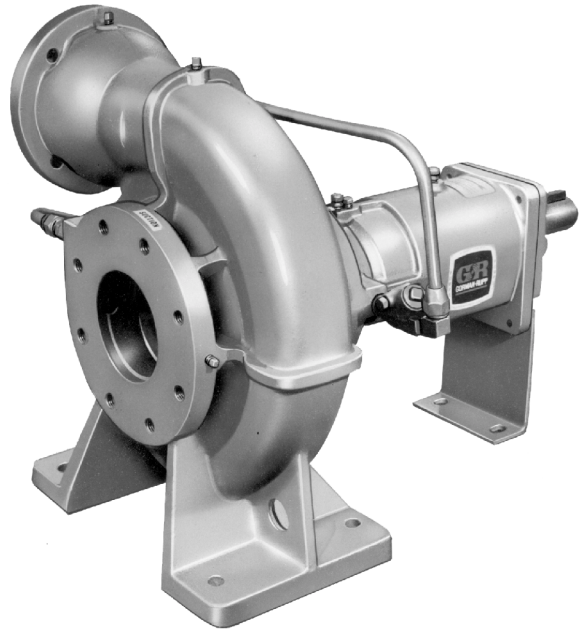
Models RD3A31 -- B and RD3A32 -- B

Size 4" x 3"



PUMP SPECIFICATIONS

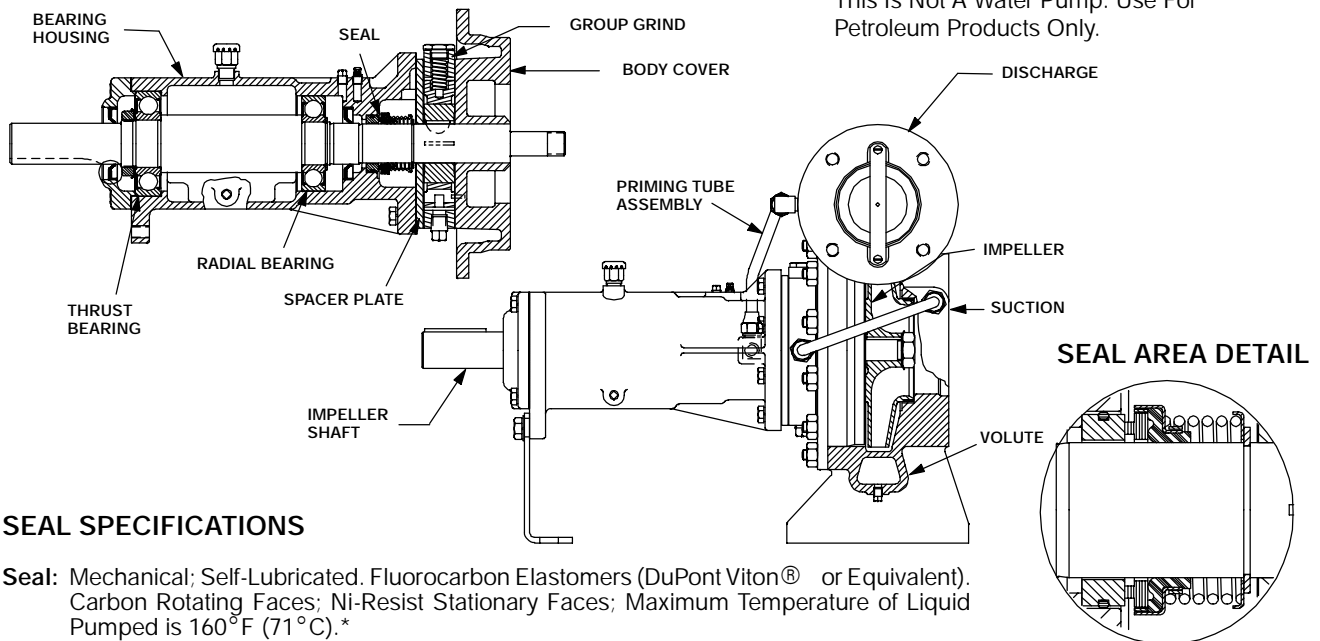
- Size:** 4" x 3" (102 mm x 76 mm) Flanged.
- Casing:** Ductile Iron No. 65-45-12 (RD3A31-B).
Cast Steel 70-36 (RD3A32-B).
Maximum Operating Pressure 130 PSI (9,1 kg/cm²).*
- Impeller:** Enclosed Type Five Vanes, Aluminum 356-T6. Handles
5/8" (15,8 mm) Diameter Spherical Solids.
- Impeller Shaft:** Steel No.1045.
- Rotor:** Bronze No. 84-8-8-0.
- Bearing Housing:** Ductile Iron No. 65-45-12.
- Body Cover:** Ductile Iron No. 65-45-12 (RD3A31-B).
Cast Steel 70-36 (RD3A32-B).
- Center/Spacer Plate:** Ductile Iron No. 65-45-12 (RD3A31-B).
Cast Steel 70-36 (RD3A32-B).
- Radial Bearing:** Ball Type.
- Thrust Bearing:** Ball Type.
- Bearing Lubrication:** Grease.
- Gaskets:** Vegetable Fiber, Paper, and Cork.
- Priming:** Rotary Vane Type with Built-in Spring Loaded Priming
Pump Check Valve.



Optional Equipment: Suction and Discharge Companion Flange Kit, Cast Steel 70-36; Impeller, Bronze No. 80-10-10; Group Grind with Cast Iron Rotor (RD3A31-B Only); Impeller Shaft, Stainless Steel No. 416; PTFE Seal; Oil Filled Bearing Housing Assembly.



This Is Not A Water Pump. Use For Petroleum Products Only.



SEAL SPECIFICATIONS

Seal: Mechanical; Self-Lubricated. Fluorocarbon Elastomers (DuPont Viton® or Equivalent). Carbon Rotating Faces; Ni-Resist Stationary Faces; Maximum Temperature of Liquid Pumped is 160°F (71°C).*

* Consult Factory for Applications Exceeding Maximum Pressure and/or Temperature Indicated.



THE GORMAN-RUPP COMPANY • MANSFIELD, OHIO

GORMAN-RUPP OF CANADA LIMITED • ST. THOMAS, ONTARIO, CANADA

Specifications Subject to Change Without Notice.

Printed in U.S.A.

Specification Data

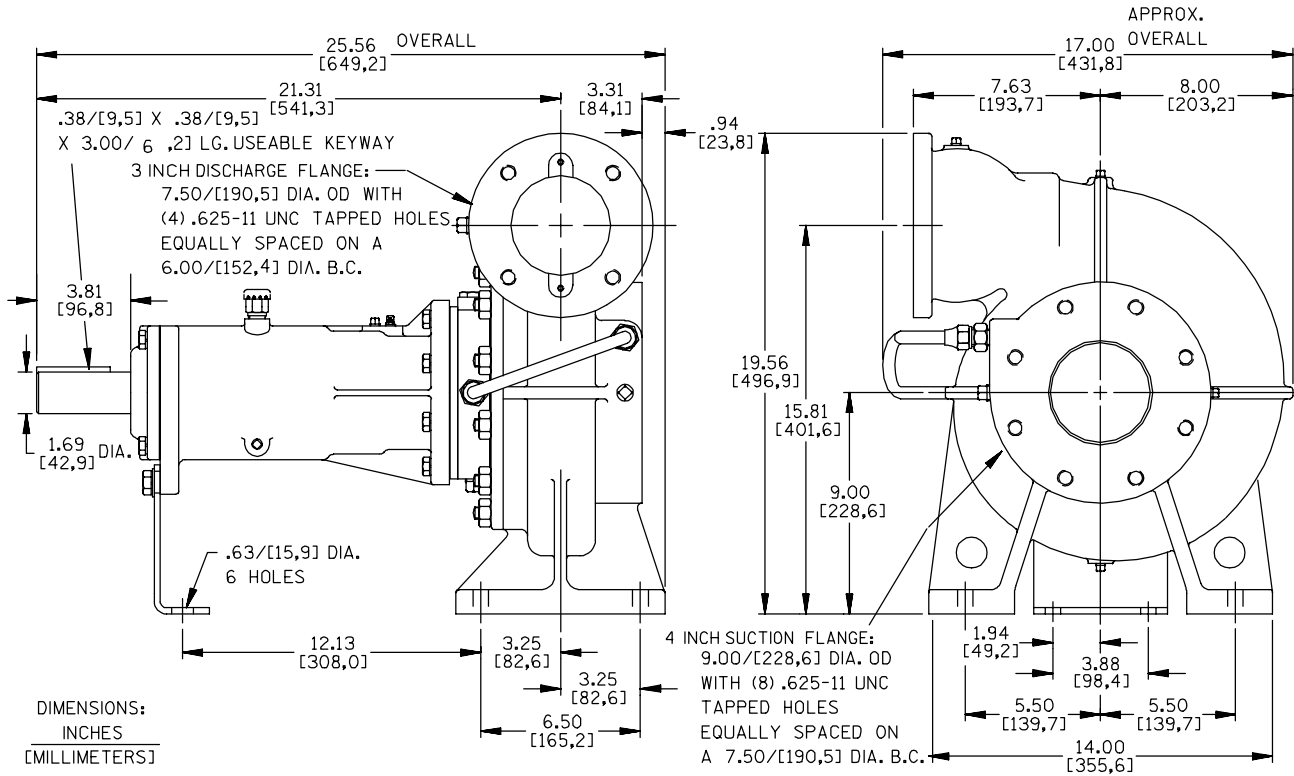
OVERALL DIMENSIONS
and
APPROXIMATE WEIGHTS

RD3A31-B

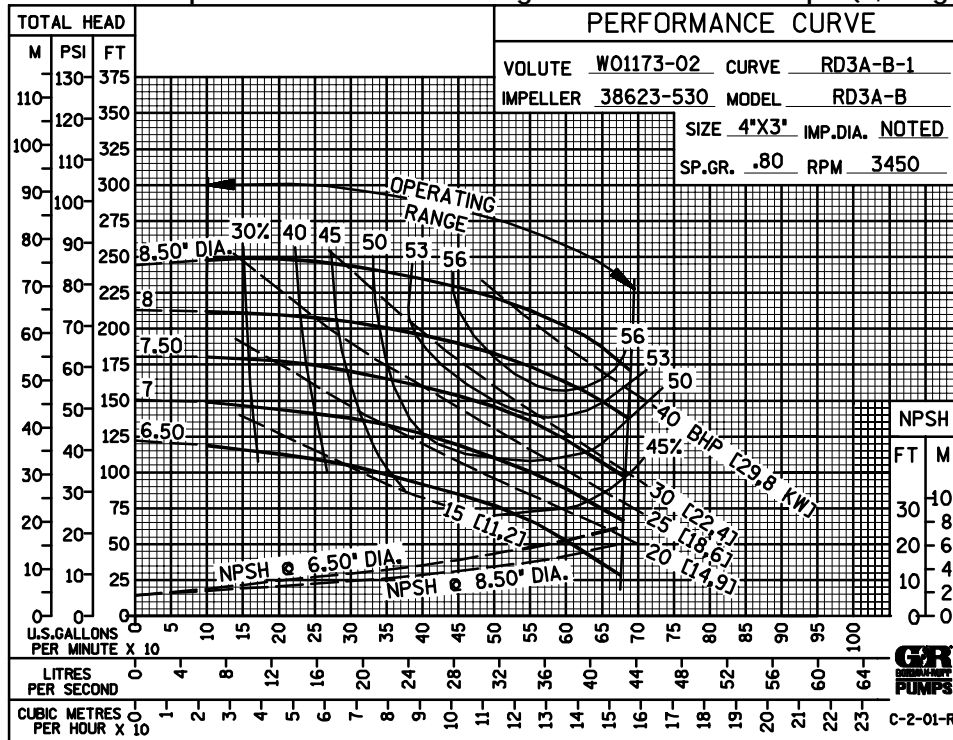
RD3A32-B

SECTION 35, PAGE 400

PUMP NET WEIGHT: 238 LBS. (108 KGS.) 243 LBS. (110,2 KGS.)
 SHIPPING NET WEIGHT: 253 LBS. (114,8 KGS.) 258 LBS. (117 KGS.)
 EXPORT CRATE SIZE: 11.9 CU. FT. (0,34 CU. M.)



Air Release Valve Required When Static Discharge Pressure Exceeds 8 psi (0,56 kg/cm²).



THE GORMAN-RUPP COMPANY • MANSFIELD, OHIO

GORMAN-RUPP OF CANADA LIMITED • ST. THOMAS, ONTARIO, CANADA

Specifications Subject to Change Without Notice.

Printed in U.S.A.