



# Self Priming Centrifugal Pump

Electric Motor Driven

Models RD3A31 – BAR *and* RD3A32 – BAR

Size 4" x 3"

## PUMP SPECIFICATIONS

**Size:** 4" x 3" (102 mm x 76 mm) Flanged.

**Casing:** Ductile Iron No. 65-45-12(RD3A31-BAR);  
Cast Steel 70-36 (RD3A32-BAR).

Maximum Operating Pressure 130 PSI (9,1 kg/cm<sup>2</sup>).\*

**Enclosed: Type Five Vane Impeller:** Aluminum 356-T6.

Handles 5/8" (5,8 mm) Diameter Spherical Solids.

**Impeller Shaft:** Steel No. 1045.

**Rotor:** Bronze No. 84-8-8-0.

**Bearing Housing:** Ductile Iron No. 65-45-12.

**Body Cover:** Ductile Iron No. 65-45-12 (RD3A31-BAR);  
Cast Steel 70-36 (RD3A32-BAR).

**Center/Spacer Plate:** Ductile Iron No. 65-45-12 (RD3A31-BAR);  
Cast Steel No. 70-36 (RD3A32-BAR).

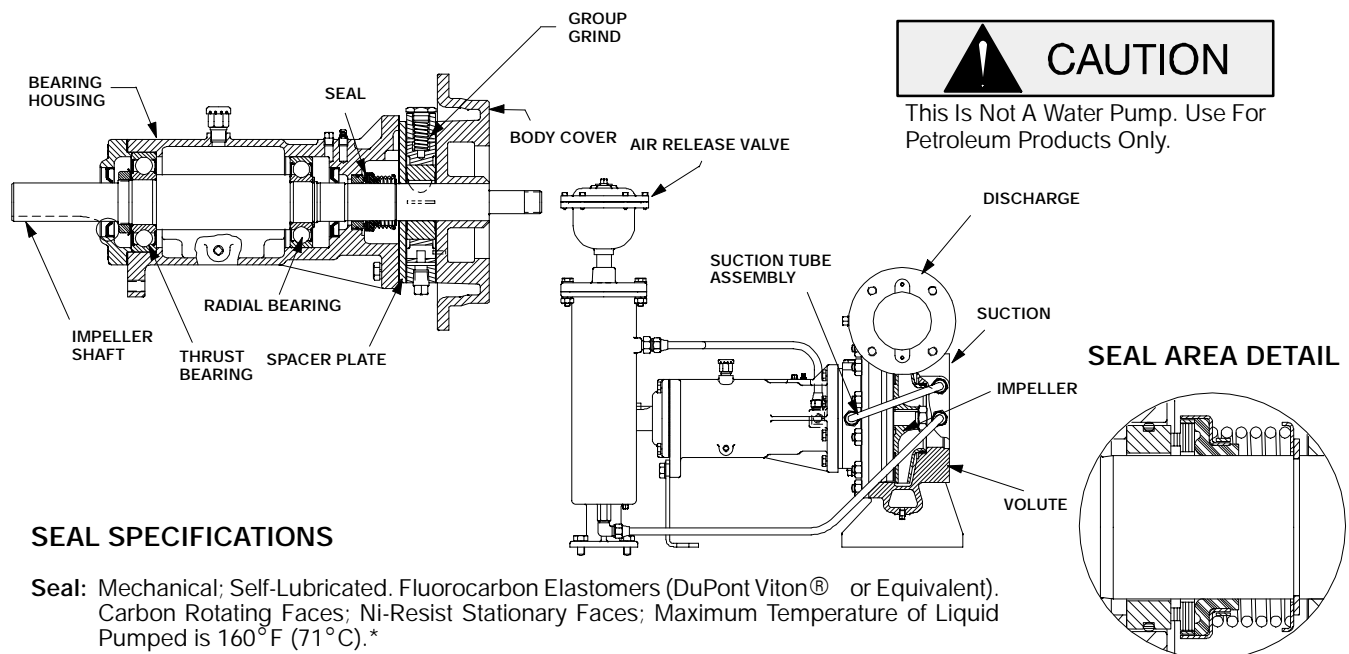
**Radial/Thrust Bearing:** Single Open Ball.

**Bearing Lubrication:** Grease.

**Gaskets:** Vegetable Fiber, Paper, and Cork.

**Priming:** Rotary Vane Type.

**Optional Equipment:** Cast Steel 70-36 Suction and Discharge Companion Flange Kit. Bronze No; 80-10-10 Impeller; Group Grind with Cast Iron Rotor (RD3A31-BAR Only); Stainless Steel No. 416 Impeller Shaft; PTFE Seal; Oil Filled Bearing Housing Assembly.



## SEAL SPECIFICATIONS

**Seal:** Mechanical; Self-Lubricated. Fluorocarbon Elastomers (DuPont Viton® or Equivalent). Carbon Rotating Faces; Ni-Resist Stationary Faces; Maximum Temperature of Liquid Pumped is 160°F (71°C).\*

\* Consult Factory for Applications Exceeding Maximum Pressure and/or Temperature Indicated.



THE GORMAN-RUPP COMPANY • MANSFIELD, OHIO

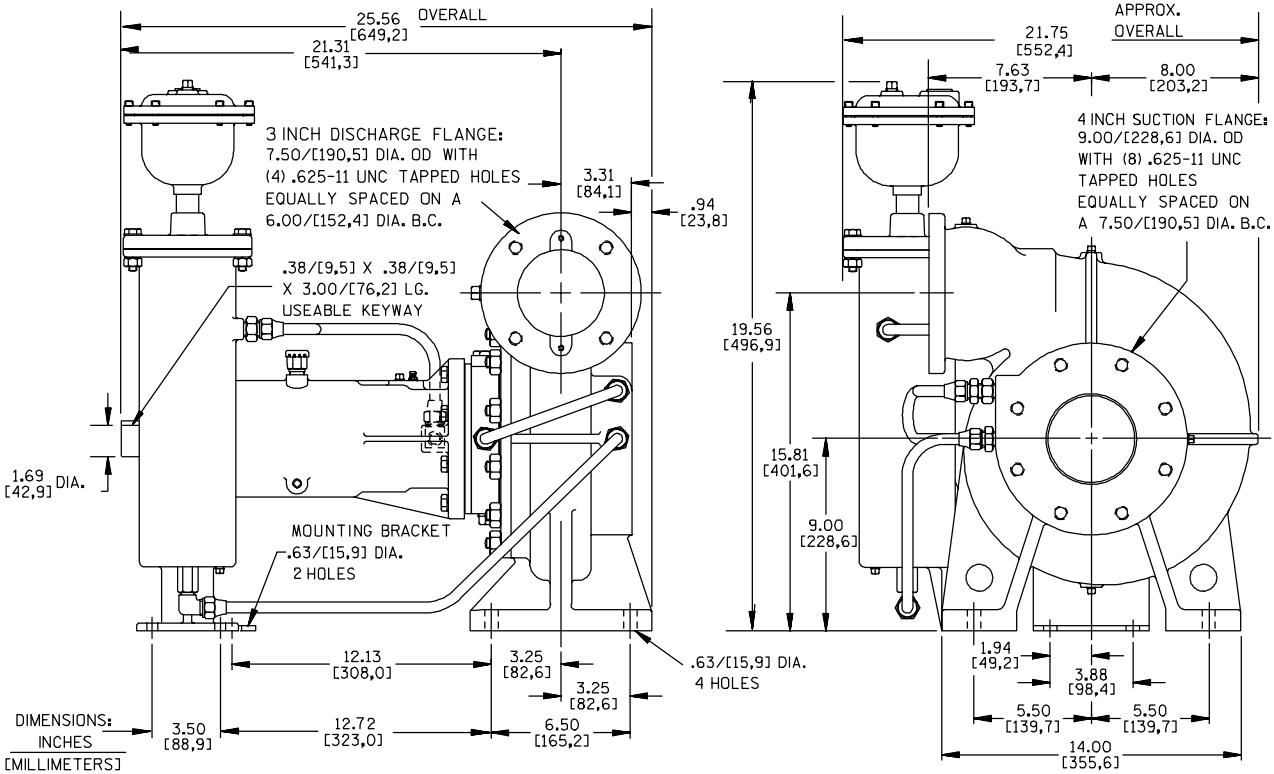
GORMAN-RUPP OF CANADA LIMITED • ST. THOMAS, ONTARIO, CANADA

Specification Data

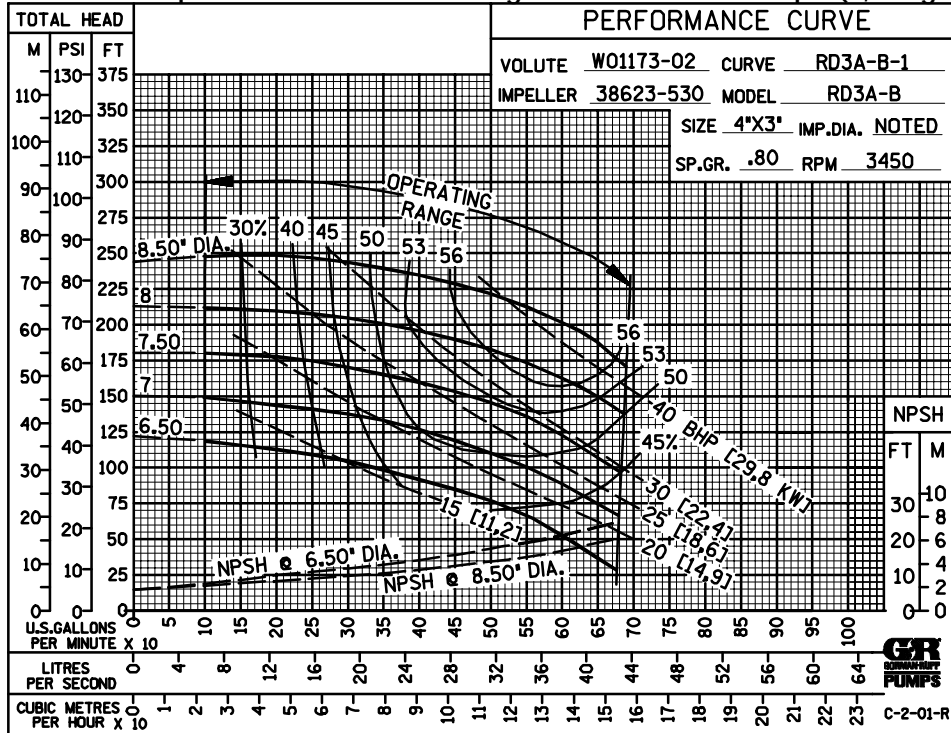
SECTION 35, PAGE 410

APPROXIMATE DIMENSIONS and WEIGHTS

	<b>RD3A31-BAR</b>	<b>RD3A32-BAR</b>
NET WEIGHT:	292 LBS. (132,4 KGS.)	295 LBS. (133,8 KGS.)
SHIPPING WEIGHT:	312 LBS. (141,5 KGS.)	308 LBS. (139,7 KGS.)
EXPORT CRATE SIZE:	17.9 CU. FT. (0,51 CU. M.)	



Air Release Valve Required When Static Discharge Pressure Exceeds 8 psi (0,56 kg/cm<sup>2</sup>).



THE GORMAN-RUPP COMPANY • MANSFIELD, OHIO

GORMAN-RUPP OF CANADA LIMITED • ST. THOMAS, ONTARIO, CANADA

Specifications Subject to Change Without Notice.

Printed in U.S.A.