

Basic Pump



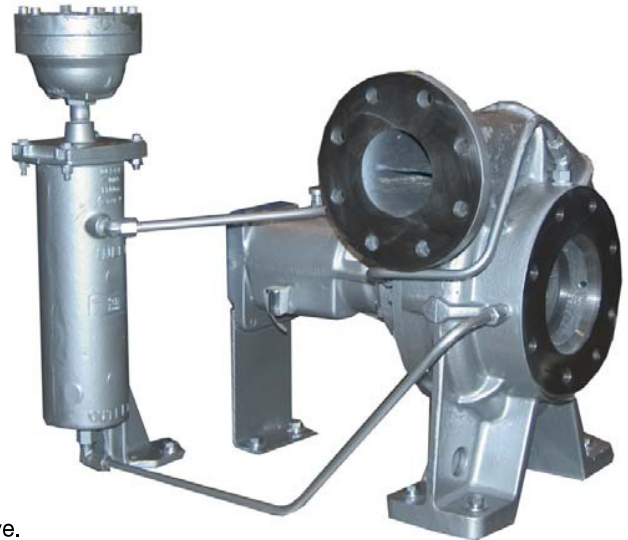
**Self Priming Centrifugal Pump**

**Models RD4A31-BAR and RD4A32-BAR**

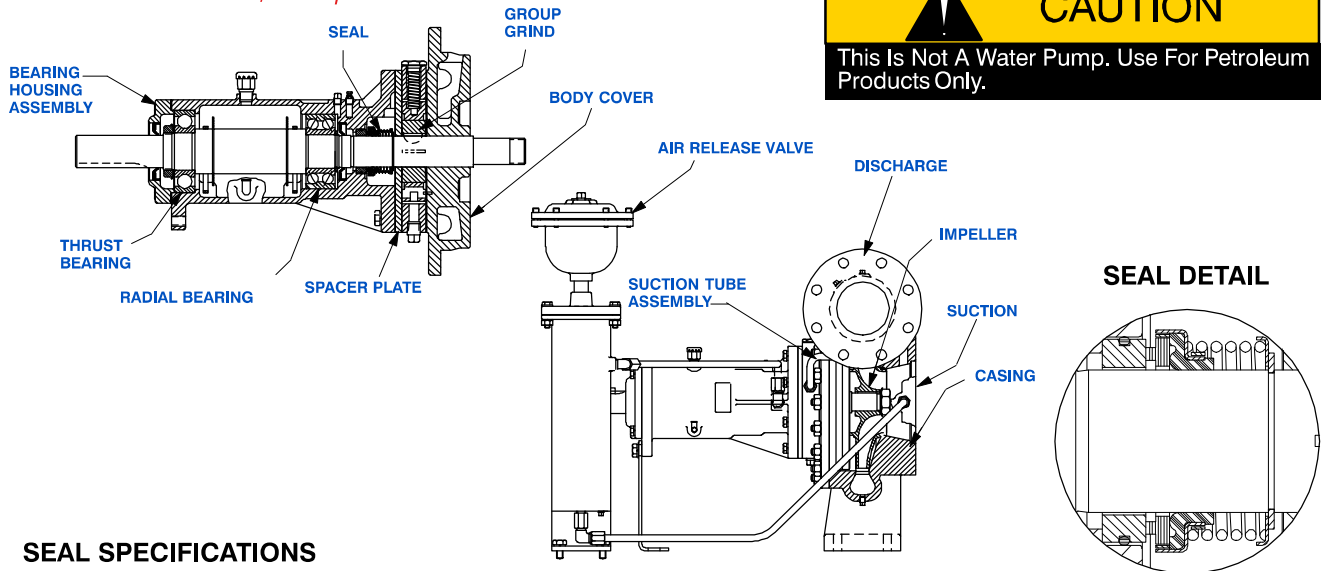
**Size 6" x 4"**

**PUMP SPECIFICATIONS**

**Size:** 6" x 4" (152mm x 102 mm) Flanged.  
**Casing:** (RD4A31-BAR) Ductile Iron 65-45-12.  
 (RD4A32-BAR) Cast Steel 70-36.  
 Maximum Operating Pressure 203 psi (1386 kPa).\*  
**Enclosed Type, Five Vane Impeller:** Aluminum 356-T6.  
 Handles 1/2" (12,7 mm) Diameter Spherical Solids.  
**Impeller Shaft:** Steel 1045.  
**Rotor:** Copper Alloy C93400.  
**Bearing Housing:** Ductile Iron 65-45-12.  
**Body Cover:** (RD4A31-BAR) Ductile Iron 65-45-12.  
 (RD4A32-BAR) Cast Steel 70-36.  
**Center/Spacer Plate:** (RD4A31-BAR) Ductile Iron 65-45-12.  
 (RD4A32-BAR) Cast Steel 70-36.  
**Radial Bearing:** Open Double Row Ball.  
**Thrust Bearing:** Open Single Row Ball.  
**Bearing Lubrication:** SAE 30 Non-Detergent Oil.  
**Gaskets:** Vegetable Fiber, PTFE and Cork.  
**Priming:** Rotary Vane Type Priming Pump.  
**Air Release Valve :** Cast Iron/Stainless Steel.  
**Optional Equipment:** Stainless Steel Fitted Air Release Valve.  
 Stainless Steel 416 Impeller Shaft, PTFE Seal with Fluorocarbon O-Ring, PTFE Seal with Buna-N O-Ring, Standard 4" Check Valve (Required for Priming).



\*Consult Factory for Applications Exceeding Maximum Pressure and/or Temperature Indicated.



**SEAL SPECIFICATIONS**

**Seal:** Mechanical; Self-Lubricated. Fluorocarbon Elastomers (DuPont Viton® or Equivalent). Carbon Rotating Face; Ni-Resist Stationary Face; Maximum Temperature of Liquid Pumped is 160°F (71°C).\*



THE GORMAN-RUPP COMPANY • MANSFIELD, OHIO

GORMAN-RUPP OF CANADA LIMITED • ST. THOMAS, ONTARIO, CANADA

www.grpumps.com

Specifications Subject to Change Without Notice

Printed in U.S.A.

**Specification Data**

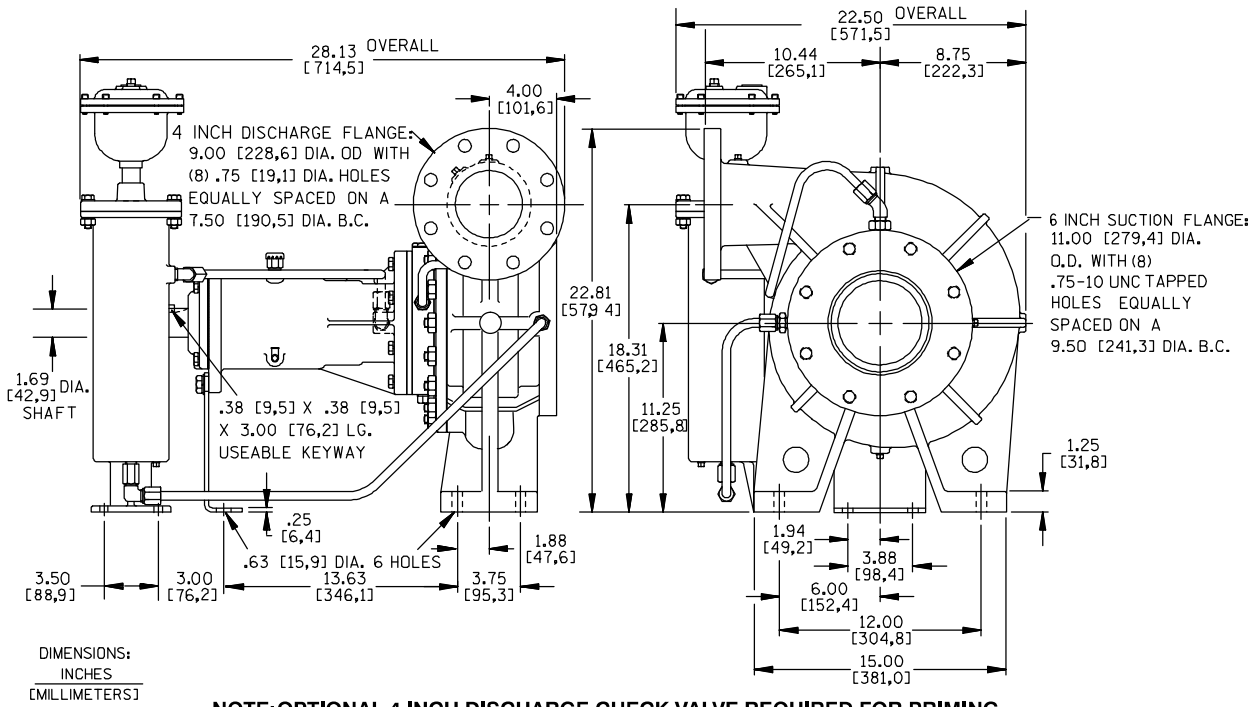
SECTION 35, PAGE 510

OVERALL DIMENSIONS  
and  
APPROXIMATE WEIGHTS

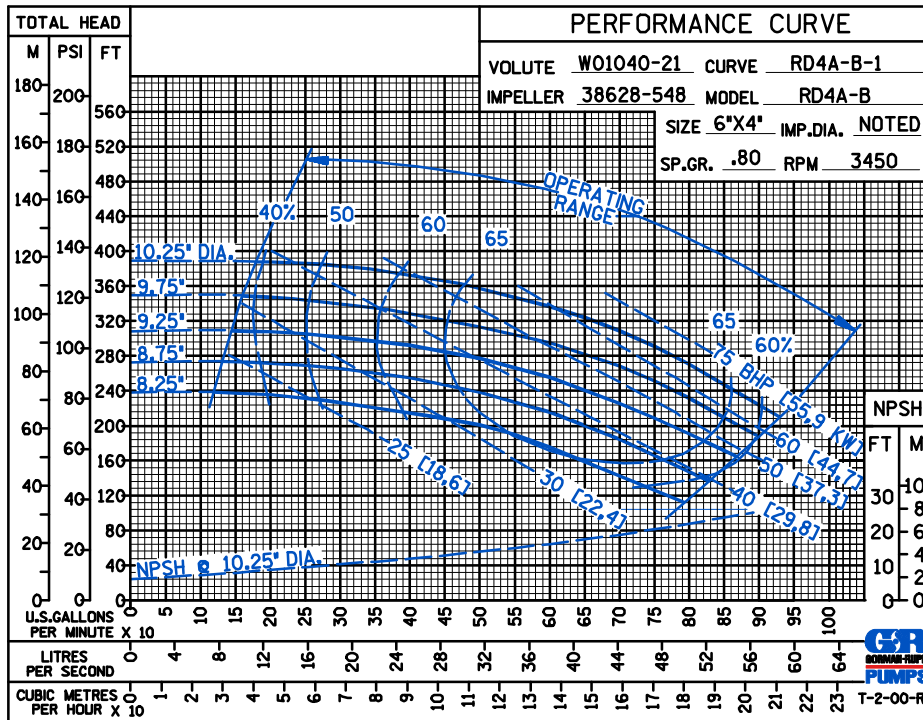
RD4A31-BAR

RD4A32-BAR

PUMP NET WEIGHT: 367 LBS. (1665 KG.) 375 LBS. (170,1 KG.)  
 SHIPPING NET WEIGHT: 382 LBS. (173,3 KG.) 395 LBS. (179,2 KG.)  
 EXPORT CRATE SIZE: 18 CU. FT. (0,51 CU. M.)



NOTE: OPTIONAL 4 INCH DISCHARGE CHECK VALVE REQUIRED FOR PRIMING.



THE GORMAN-RUPP COMPANY • MANSFIELD, OHIO

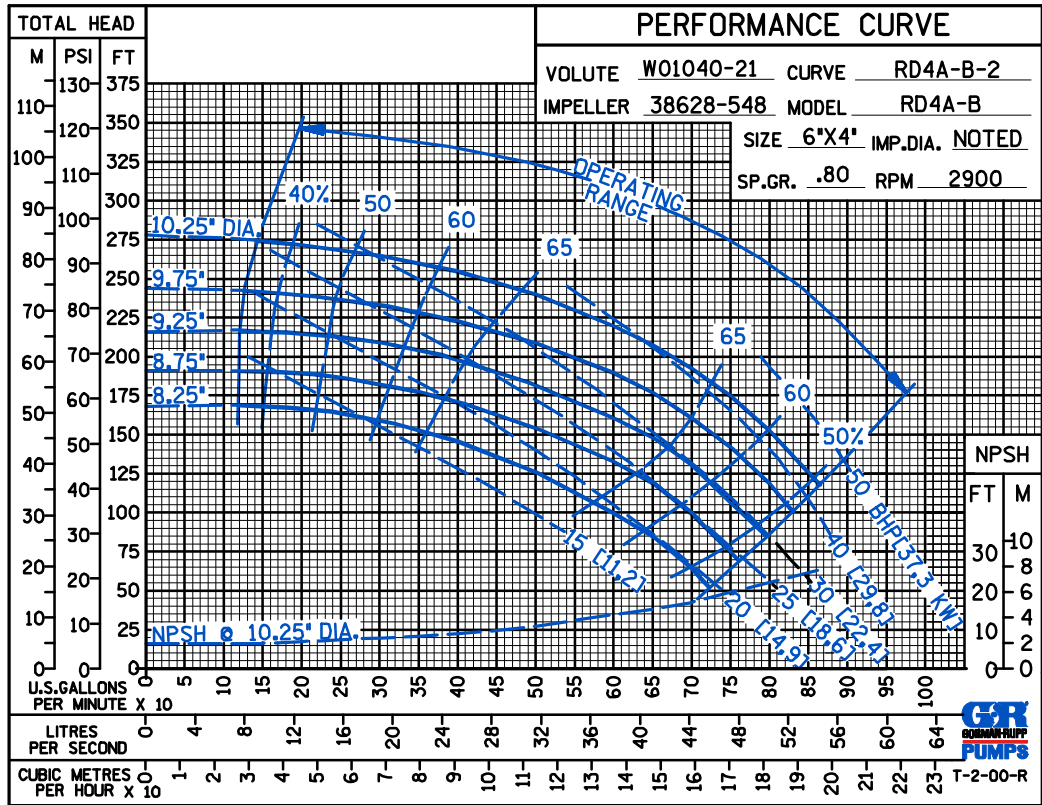
GORMAN-RUPP OF CANADA LIMITED • ST. THOMAS, ONTARIO, CANADA

Specifications Subject to Change Without Notice

Printed in U.S.A.

B

50 HERTZ



THE GORMAN-RUPP COMPANY • MANSFIELD, OHIO

GORMAN-RUPP OF CANADA LIMITED • ST. THOMAS, ONTARIO, CANADA

Specifications Subject to Change Without Notice

Printed in U.S.A.