

B

Self Priming Centrifugal Pump

Electric Motor Driven

Models RS3A31 -- B *and* RS3A32 -- B

Size 4" x 3"



PUMP SPECIFICATIONS

Size: 4" x 3" (102 x 76 mm) Flanged.**Casing:** Ductile Iron No. 65-45-12 (RS3A31-B).

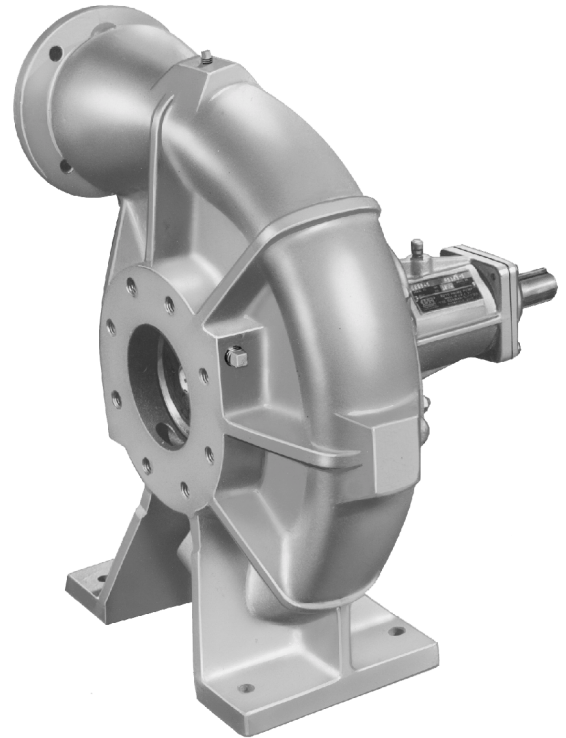
Cast Steel No. 70-36 (RS3A32-B).

Maximum Operating Pressure 75 PSI (5,3 kg/cm²).***Impeller:** Enclosed Type Five Vanes, Aluminum 356-T6. Handles 3/8" (9,5 mm) Diameter Spherical Solids.**Impeller Shaft:** Steel 1045.**Rotor:** Bronze No. 83-7-7-3.**Bearing Housing:** Ductile Iron 65-45-12.**Body Cover:** Ductile Iron No. 65-45-12 (RS3A31-B).

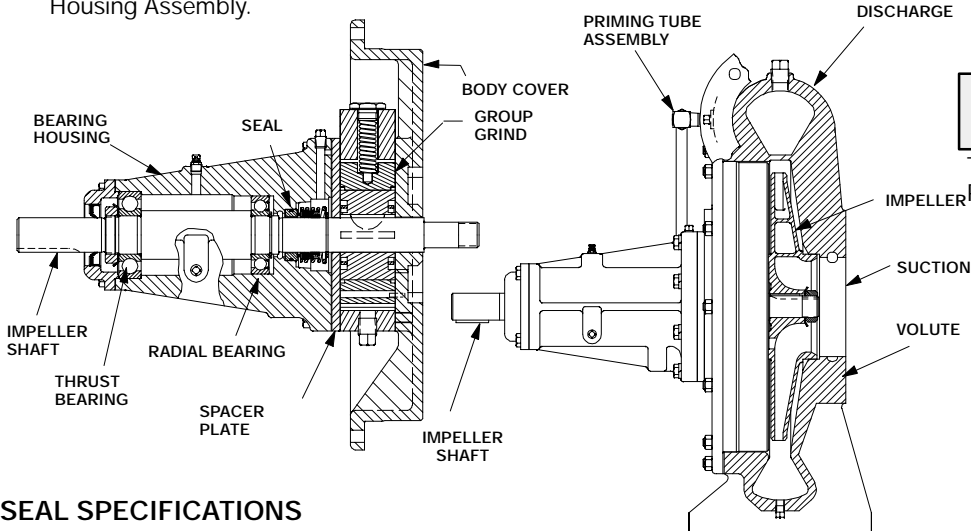
Cast Steel 70-36 (RS3A32-B).

Center/Spacer Plate: Ductile Iron No. 65-45-12 (RS3A31-B).

Cast Steel 70-36 (RS3A32-B).

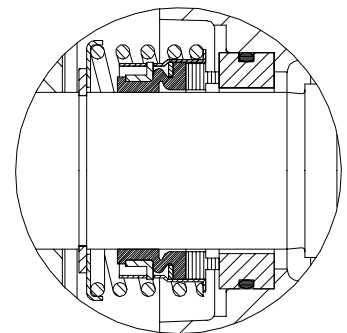
Radial Bearing: Ball Type.**Thrust Bearing:** Ball Type.**Bearing Lubrication:** Grease.**Gaskets:** Vegetable Fiber, Paper, and Cork.**Priming:** Rotary Vane Type with Built-in Spring Loaded Priming Pump Check Valve.

Optional Equipment: Suction and Discharge Companion Flange Kit, Cast Steel 70-36; Impeller, Bronze No. 80-10-10; Group Grind with Cast Iron Rotor (RS3A31-B Only); Impeller Shaft, Stainless Steel No. 416; PTFE Seal; Oil Filled Bearing Housing Assembly.

**CAUTION**

This Is Not A Water Pump. Use For Petroleum Products Only.

SEAL AREA DETAIL



SEAL SPECIFICATIONS

Seal: Mechanical; Self-Lubricated. Fluorocarbon Elastomers (DuPont Viton® or Equivalent). Carbon Rotating Faces; Ni-Resist Stationary Faces; Maximum Temperature of Liquid Pumped is 160°F (71°C).*

* Consult Factory for Applications Exceeding Maximum Pressure and/or Temperature Indicated.



THE GORMAN-RUPP COMPANY • MANSFIELD, OHIO

GORMAN-RUPP OF CANADA LIMITED • ST. THOMAS, ONTARIO, CANADA

Specifications Subject to Change Without Notice.

Printed in U.S.A.

Specification Data

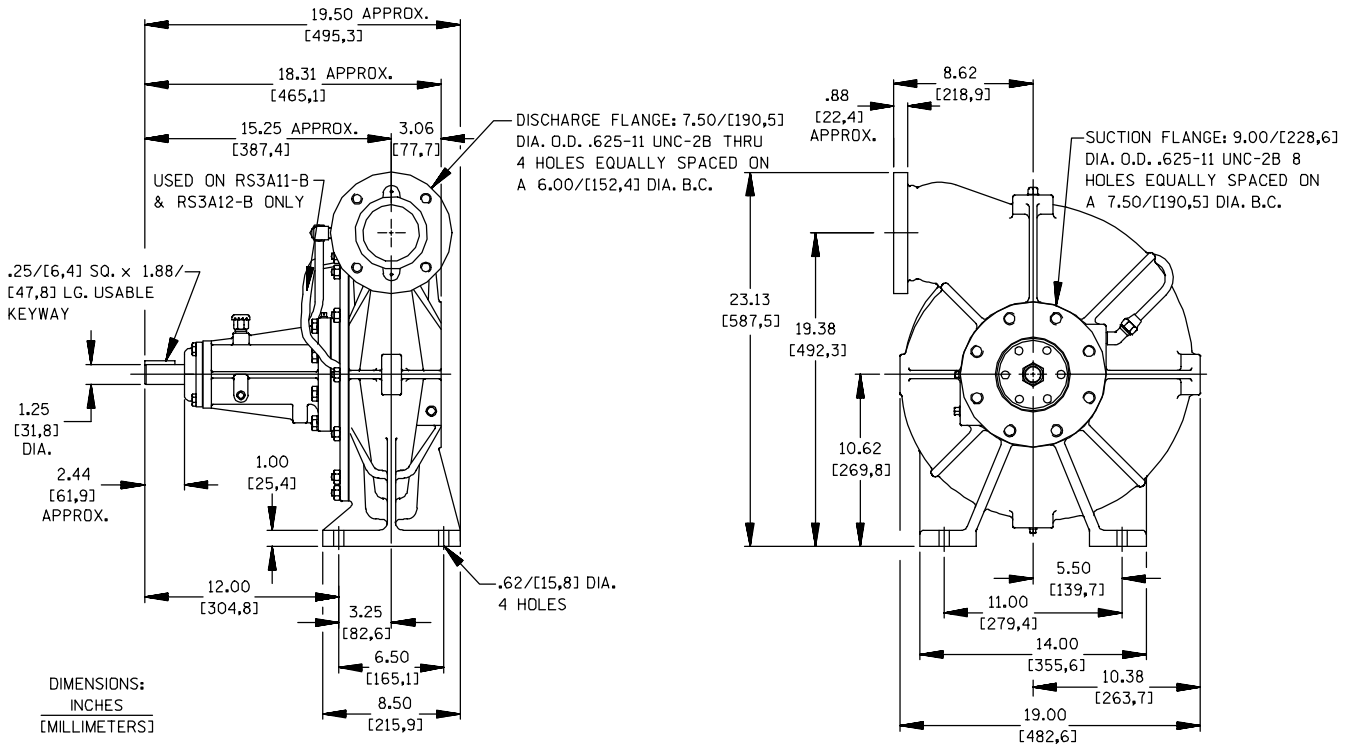
SECTION 35, PAGE 300

OVERALL DIMENSIONS
and
APPROXIMATE WEIGHTS

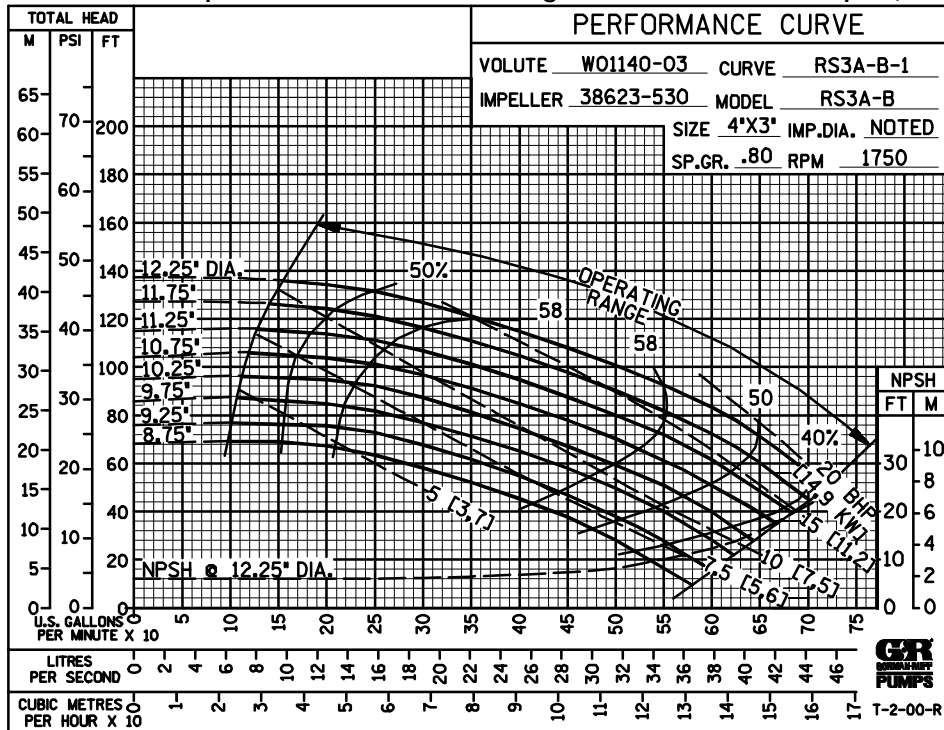
PUMP NET WEIGHT: 240 LBS. (108,9 KGS.) 312 LBS. (141,5 KGS.)
SHIPPING NET WEIGHT: 254 LBS. (115,2 KGS.) 332 LBS. (150,6 KGS.)
EXPORT CRATE SIZE: 11.9 CU. FT. (0,34 CU. M.)

RS3A31-B

RS3A32-B



Air Release Valve Required When Static Discharge Pressure Exceeds 8 psi (0,56 kg/cm²).



THE GORMAN-RUPP COMPANY • MANSFIELD, OHIO

GORMAN-RUPP OF CANADA LIMITED • ST. THOMAS, ONTARIO, CANADA

Specifications Subject to Change Without Notice.

Printed in U.S.A.