

ACE



Basic Pedestal

Standard Centrifugal Pump

Model VG1 1/2C3-B

Size 2 1/2" x 1 1/2"

PUMP SPECIFICATIONS

Size: 2 1/2" x 1 1/2" (64 mm x 38 mm) Flanged.

Casing: Gray Iron 40.

Maximum Operating Pressure 182 psi (1255 kPa).*

Enclosed Type, Six Vane Impeller: Gray Iron 40.

Handles 5/16" (7,9 mm) Diameter Spherical Solids.

Impeller Shaft: Steel 1045.

Shaft Sleeve: Stainless Steel 420.

Seal Plate: Gray Iron 40.

Bearing Housing: Gray Iron 40.

Radial Bearing: Open Single Row Ball.

Thrust Bearing: Open Double Row Ball.

Bearing Lubrication: SAE 30 Non-Detergent Oil.

Gaskets: Nitrile Rubber.

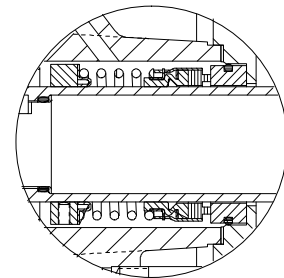
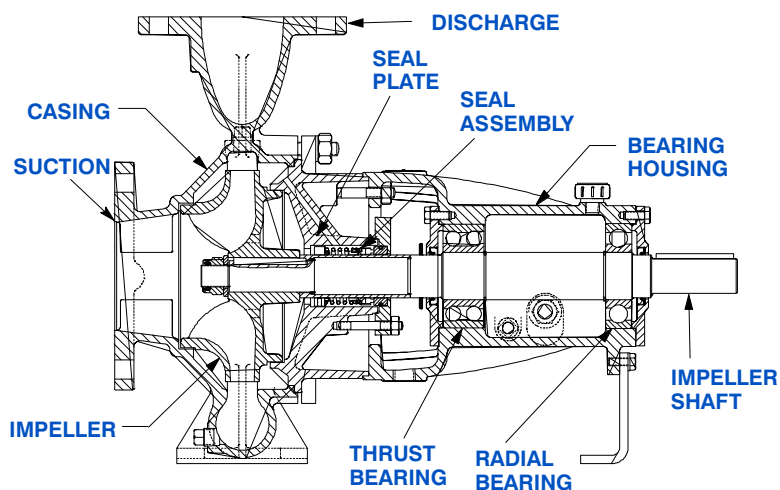
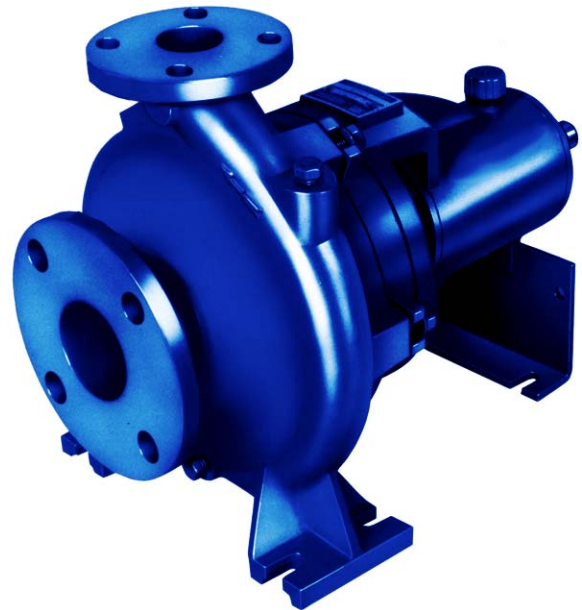
O-Ring: Fluorocarbon (DuPont Viton® or Equivalent).

Hardware: Standard Plated Steel.

Oil Level Sight Gauge.

Optional Equipment: NPT Suction and Discharge Flanges. Strainer. Stainless Steel Impeller. Mechanical Seal with Fluorocarbon Elastomers (DuPont Viton® or Equivalent).

**Consult Factory for Applications Exceeding Maximum Pressure and/or Temperature Indicated.*



SEAL DETAIL

Type 1, Mechanical, Self-Lubricated. Carbon Rotating Face. Ceramic Stationary Seat. Buna-N Elastomers. Stainless Steel and/or Brass Cage and Spring. Maximum Temperature of Liquid Pumped, 160°F (71°C).*



THE GORMAN-RUPP COMPANY • MANSFIELD, OHIO

GORMAN-RUPP OF CANADA LIMITED • ST. THOMAS, ONTARIO, CANADA

www.grpumps.com

Specifications Subject to Change Without Notice

Printed in U.S.A.

Specification Data

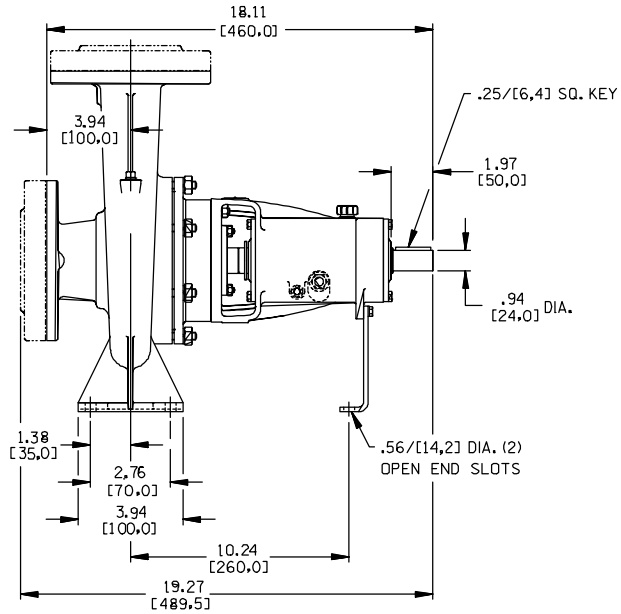
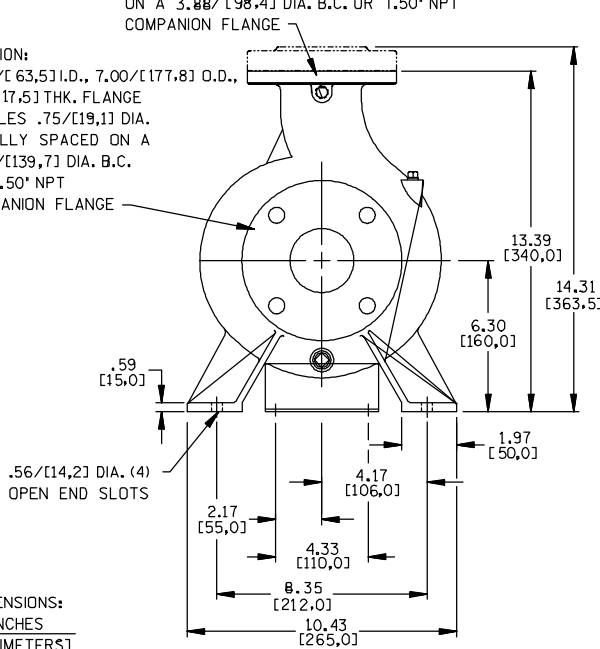
SECTION 70, PAGE 150

APPROXIMATE DIMENSIONS and WEIGHTS

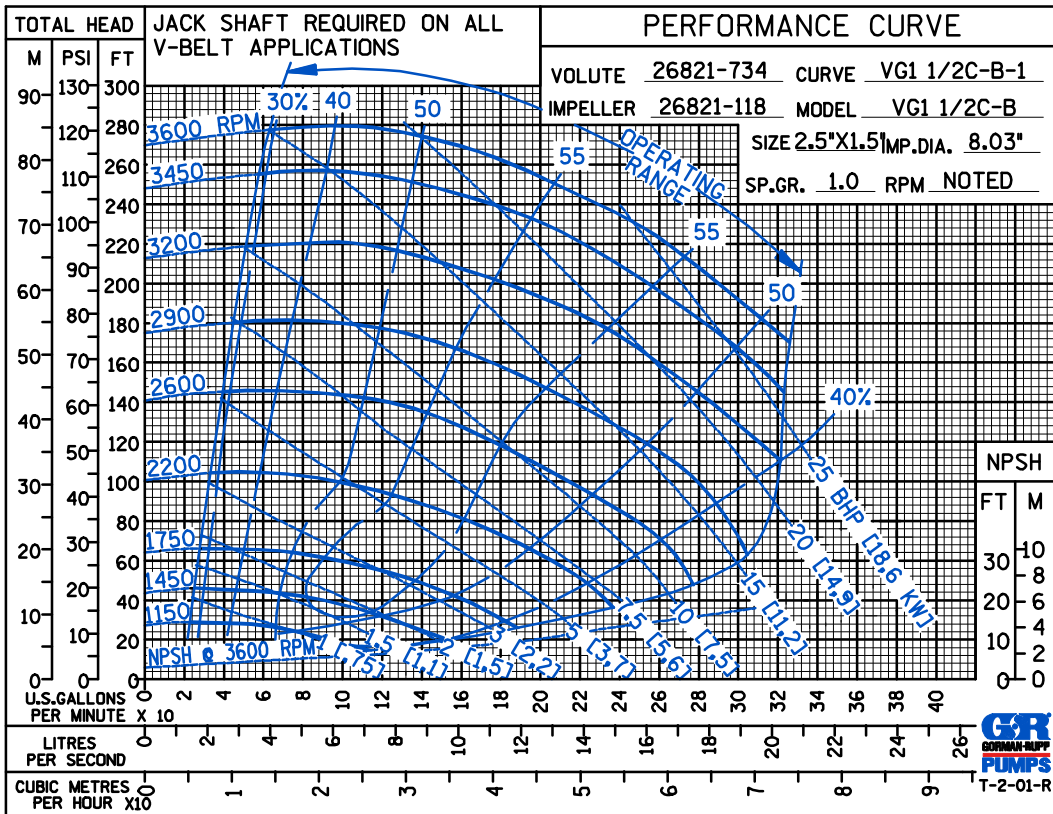
NET WEIGHT: 82 LBS. (37,2 KG.)
SHIPPING WEIGHT: 92 LBS. (41,7 KG.)
EXPORT CRATE SIZE: 5.6 CU. FT. (0,16 CU. M.)

DISCHARGE:
 1.50/[38,1] I.D., 5.00/[127,0] O.D., .56/[14,2] THK FLANGE
 4 HOLES .62/[15,8] DIA. EQUALLY SPACED
 ON A 3.86/[98,4] DIA. B.C. OR 1.50" NPT
 COMPANION FLANGE

SUCTION:
 2.50/[63,5] I.D., 7.00/[177,8] O.D.,
 .69/[17,5] THK. FLANGE
 4 HOLES .75/[19,1] DIA.
 EQUALLY SPACED ON A
 5.50/[139,7] DIA. B.C.
 OR 2.50" NPT
 COMPANION FLANGE



DIMENSIONS:
 INCHES
 [MILLIMETERS]



THE GORMAN-RUPP COMPANY • MANSFIELD, OHIO

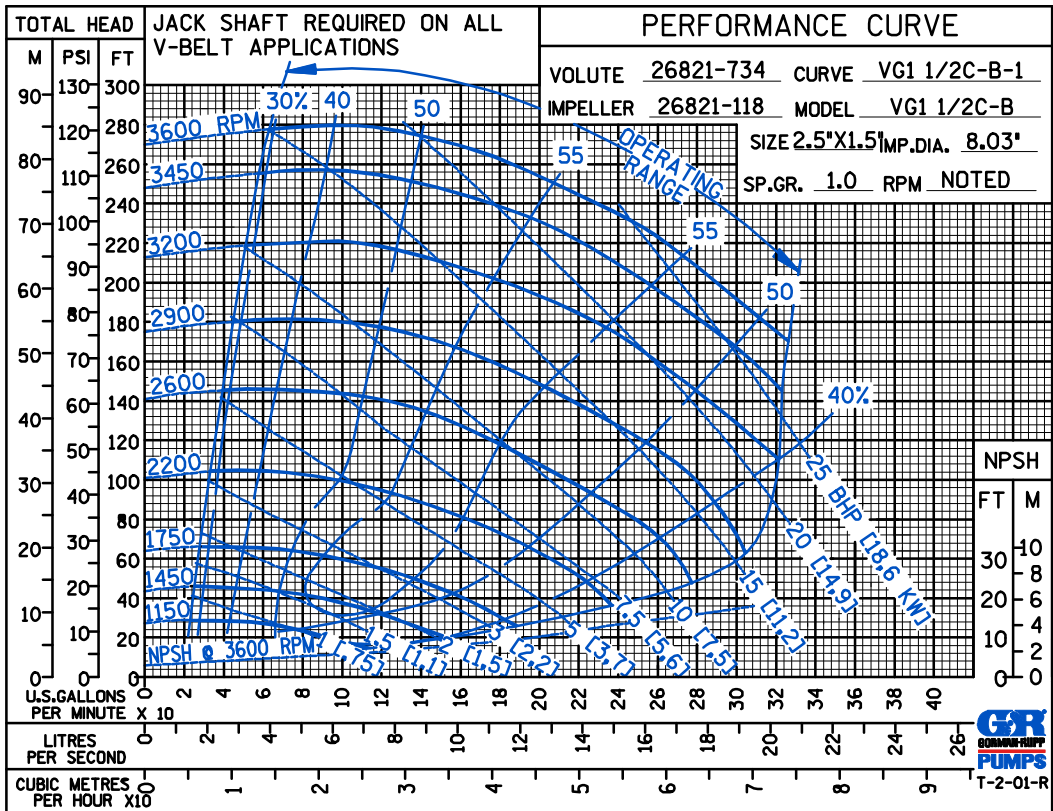
GORMAN-RUPP OF CANADA LIMITED • ST. THOMAS, ONTARIO, CANADA

Specifications Subject to Change Without Notice

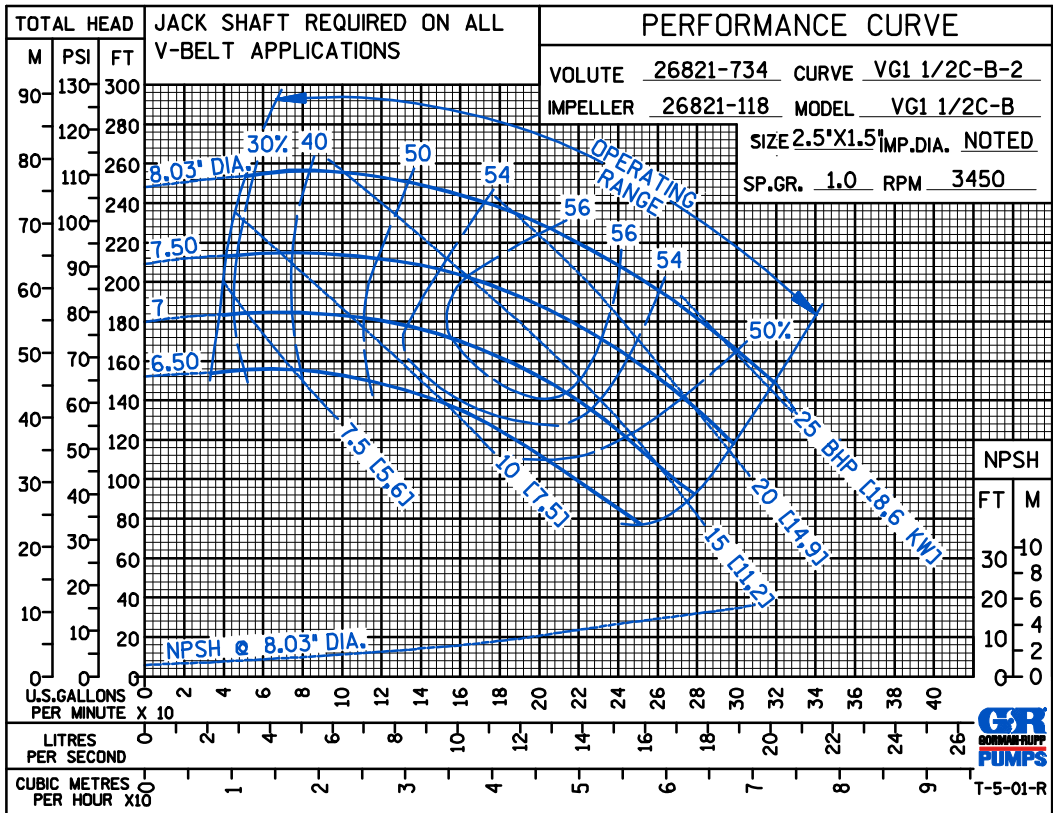
Printed in U.S.A.

ACE

PERFORMANCE
BASED ON
WATER



PERFORMANCE
BASED ON
WATER



THE GORMAN-RUPP COMPANY • MANSFIELD, OHIO

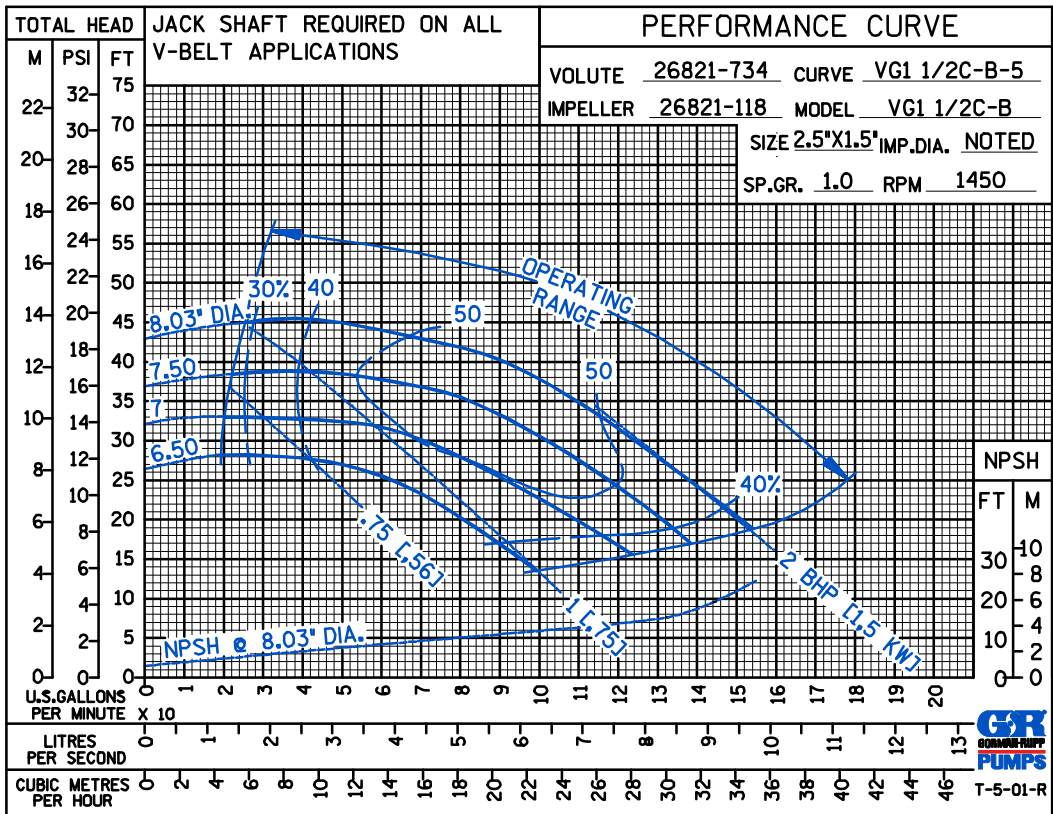
GORMAN-RUPP OF CANADA LIMITED • ST. THOMAS, ONTARIO, CANADA

Specifications Subject to Change Without Notice

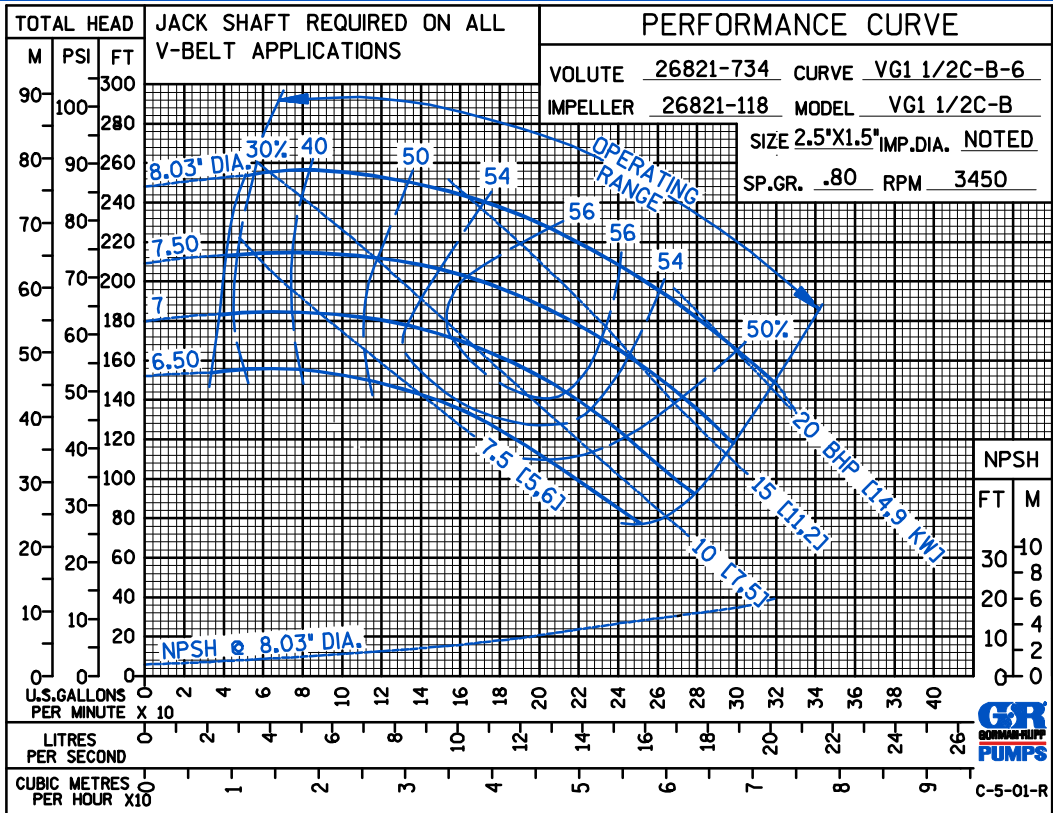
Printed in U.S.A.

ACE

PERFORMANCE
BASED ON
WATER



PERFORMANCE
BASED ON
PETROLEUM



THE GORMAN-RUPP COMPANY • MANSFIELD, OHIO

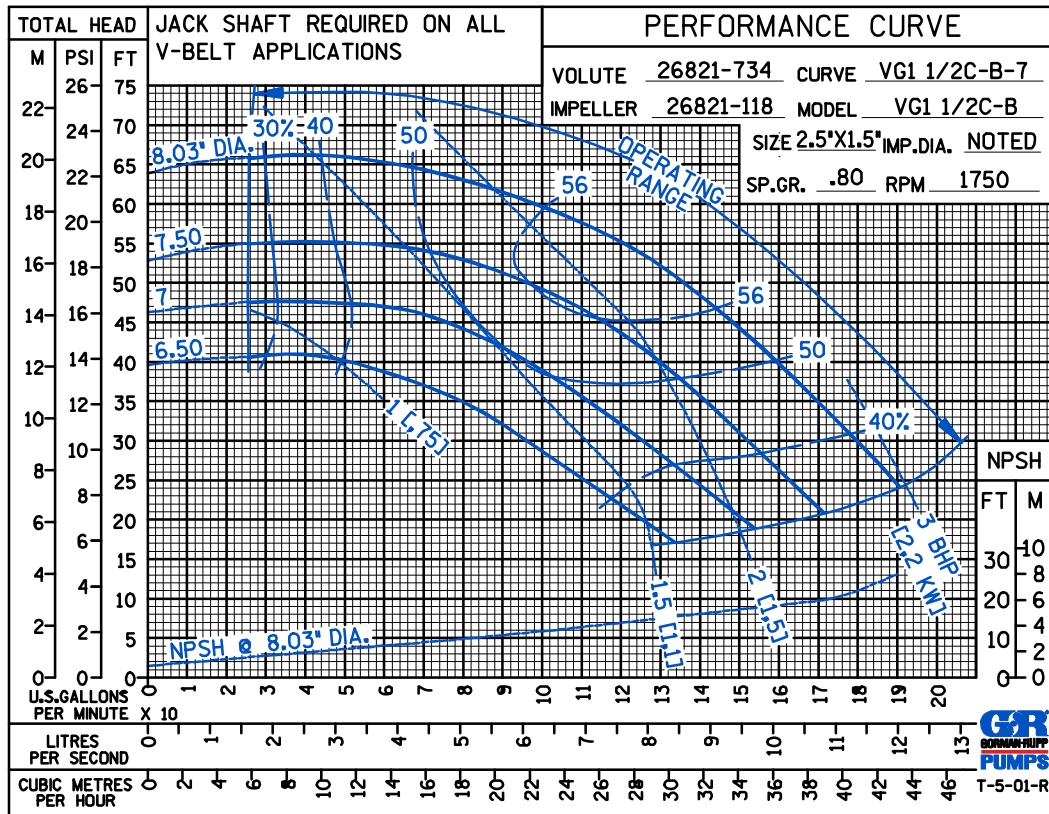
GORMAN-RUPP OF CANADA LIMITED • ST. THOMAS, ONTARIO, CANADA

Specifications Subject to Change Without Notice

Printed in U.S.A.

ACE

PERFORMANCE
BASED ON
PETROLEUM



THE GORMAN-RUPP COMPANY • MANSFIELD, OHIO

GORMAN-RUPP OF CANADA LIMITED • ST. THOMAS, ONTARIO, CANADA

Specifications Subject to Change Without Notice

Printed in U.S.A.