

ACE

Basic Pedestal



# Standard Centrifugal Pump

## Model VG2 1/2B3-B

### Size 3" x 2 1/2"

#### PUMP SPECIFICATIONS

**Size:** 3" x 2 1/2" (76 mm x 64 mm) Flanged.

**Casing:** Gray Iron 40.

Maximum Operating Pressure 179 psi (1234 kPa).\*

**Enclosed Type, Six Vane Impeller:** Gray Iron 40.

Handles 9/16" (14,3 mm) Diameter Spherical Solids.

**Impeller Shaft:** Steel 1045.

**Shaft Sleeve:** Stainless Steel 420.

**Seal Plate:** Gray Iron 40.

**Bearing Housing:** Gray Iron 40.

**Radial Bearing:** Open Single Row Ball.

**Thrust Bearing:** Open Double Row Ball.

**Bearing Lubrication:** SAE 30 Non-Detergent Oil.

**Gaskets:** Nitrile Rubber.

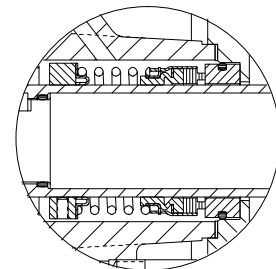
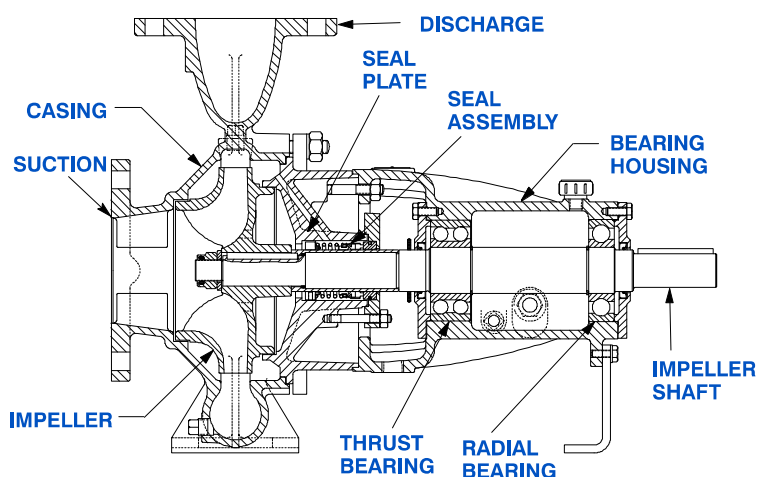
**O-Ring:** Fluorocarbon (DuPont Viton® or Equivalent).

**Hardware:** Standard Plated Steel.

**Oil Level Sight Gauge.**

**Optional Equipment:** NPT Suction and Discharge Flanges. Strainer. Stainless Steel Impeller. Mechanical Seal with Fluorocarbon Elastomers (DuPont Viton® or Equivalent).

*\*Consult Factory for Applications Exceeding Maximum Pressure and/or Temperature Indicated.*



#### SEAL DETAIL

Type 1, Mechanical, Self-Lubricated. Carbon Rotating Face. Ceramic Stationary Seat. Buna-N Elastomers. Stainless Steel Cage and Spring. Maximum Temperature of Liquid Pumped, 160°F (71°C).\*



THE GORMAN-RUPP COMPANY • MANSFIELD, OHIO

GORMAN-RUPP OF CANADA LIMITED • ST. THOMAS, ONTARIO, CANADA

www.grpumps.com

Specifications Subject to Change Without Notice

Printed in U.S.A.

**Specification Data**

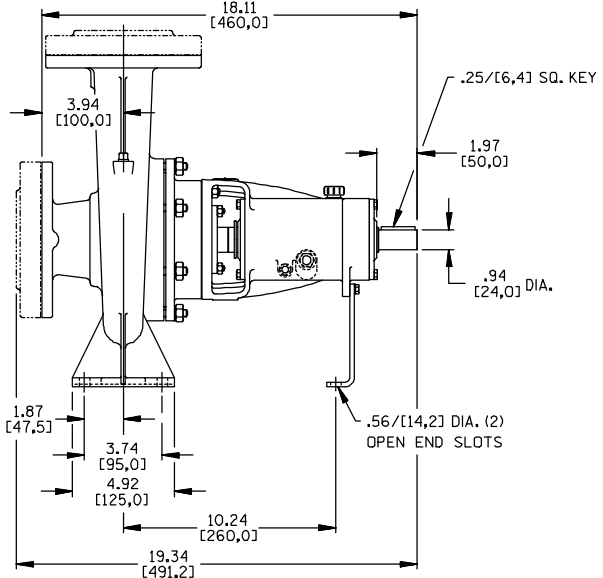
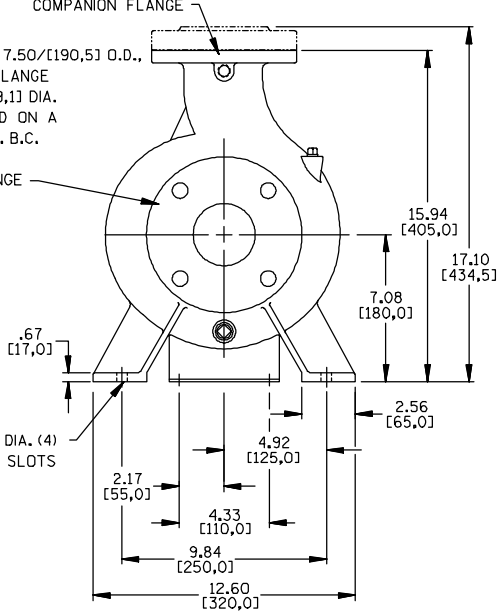
SECTION 70, PAGE 280

APPROXIMATE DIMENSIONS and WEIGHTS

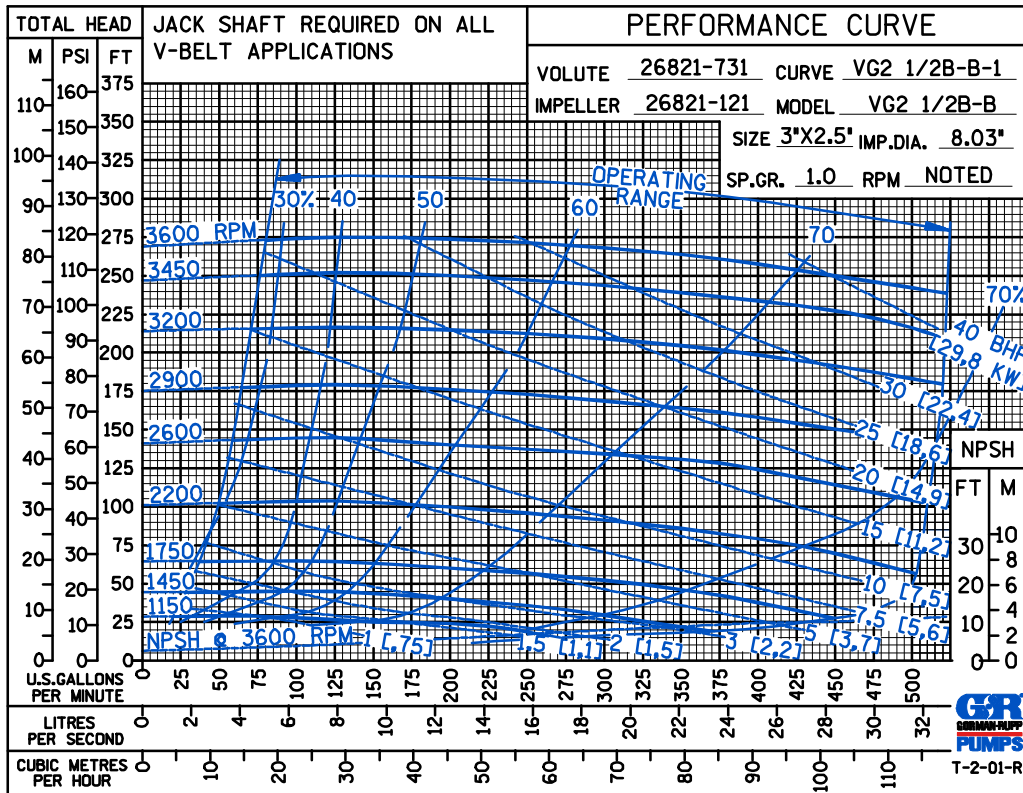
**NET WEIGHT:** 95 LBS. (43,1 KG.)  
**SHIPPING WEIGHT:** 105 LBS. (47,6 KG.)  
**EXPORT CRATE SIZE:** 5.6 CU. FT. (0,16 CU. M.)

**DISCHARGE:**  
 2.50/[63,5] I.D., 7.00/[177,8] O.D., .69/[17,5] THK FLANGE  
 4 HOLES .75/[19,1] DIA. EQUALLY SPACED  
 ON A 5.50/[139,7] DIA. B.C. OR 2.50" NPT  
 COMPANION FLANGE

**SUCTION:**  
 3.00/[76,2] I.D., 7.50/[190,5] O.D.,  
 .75/[19,1] THK. FLANGE  
 4 HOLES .75/[19,1] DIA. EQUALLY SPACED ON A  
 6.00/[152,4] DIA. B.C. OR 3.00" NPT  
 COMPANION FLANGE



DIMENSIONS:  
 INCHES  
 (MILLIMETERS)



PERFORMANCE  
 BASED ON  
 WATER



THE GORMAN-RUPP COMPANY • MANSFIELD, OHIO

GORMAN-RUPP OF CANADA LIMITED • ST. THOMAS, ONTARIO, CANADA

Specifications Subject to Change Without Notice

Printed in U.S.A.

Curve Data

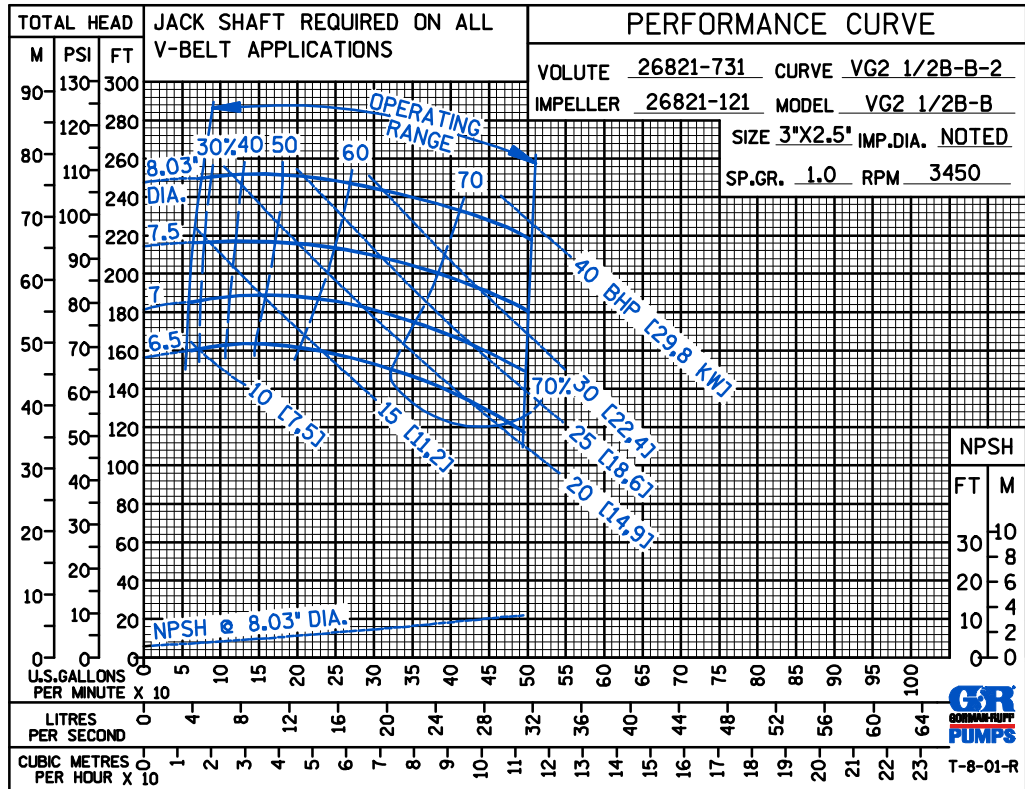
Sec. 70

PAGE 280.1

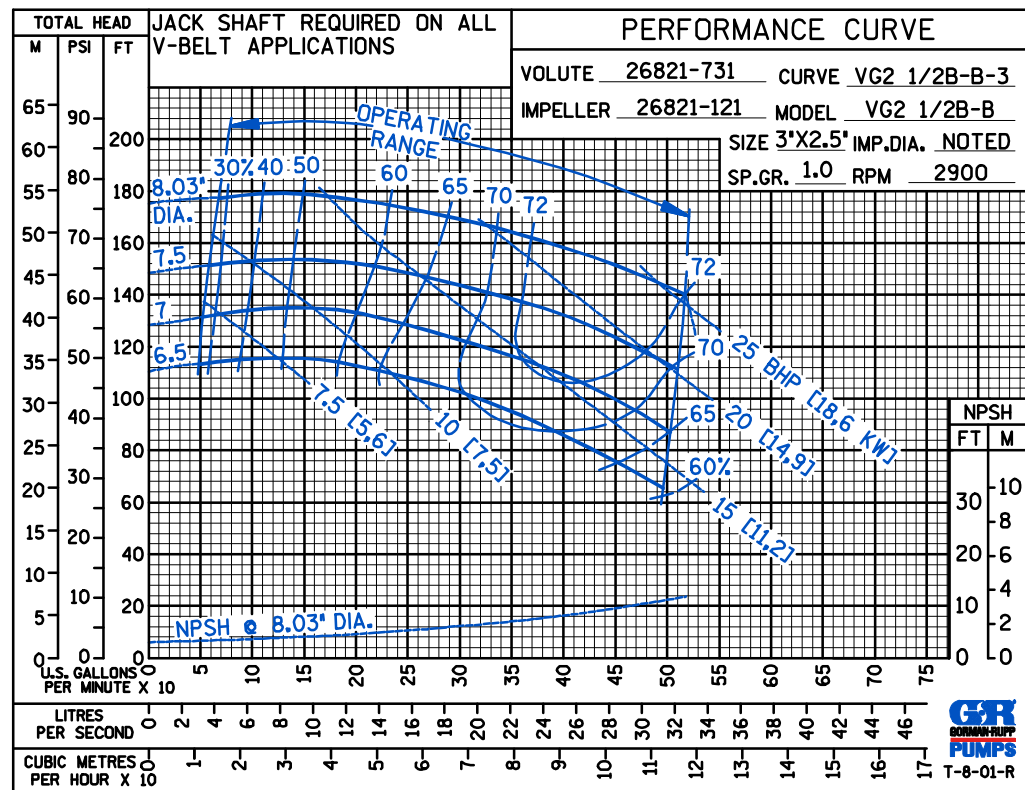
MAY 2011

ACE

PERFORMANCE  
BASED ON  
WATER



PERFORMANCE  
BASED ON  
WATER



THE GORMAN-RUPP COMPANY • MANSFIELD, OHIO

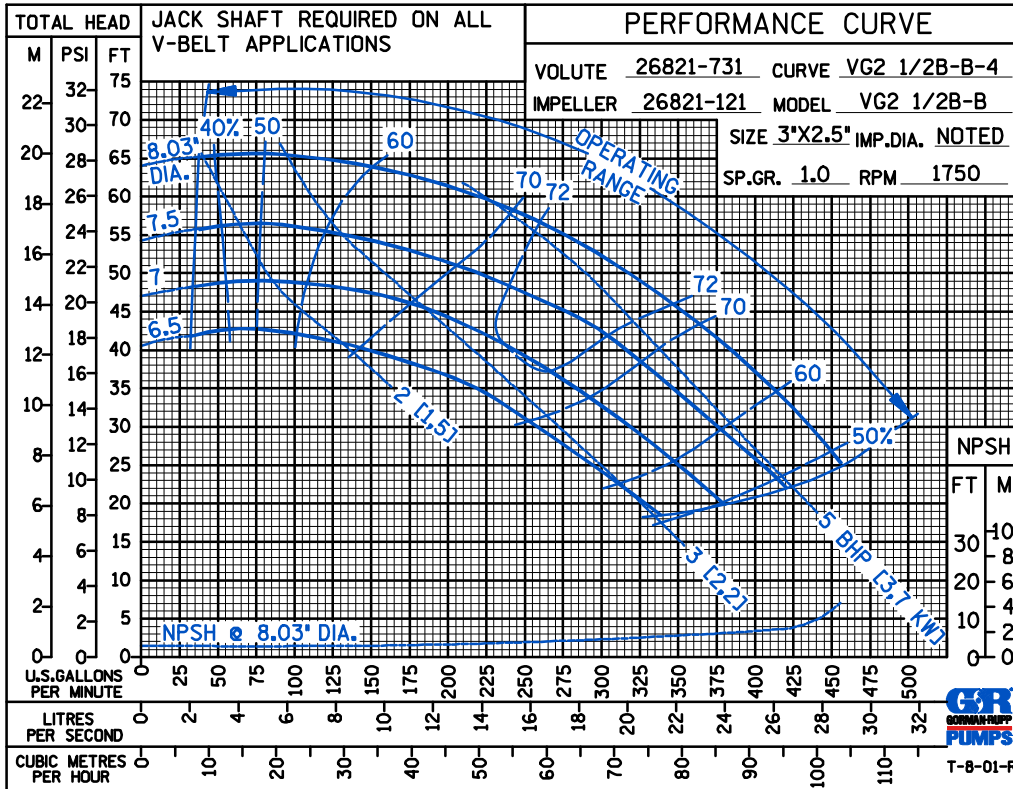
GORMAN-RUPP OF CANADA LIMITED • ST. THOMAS, ONTARIO, CANADA

Specifications Subject to Change Without Notice

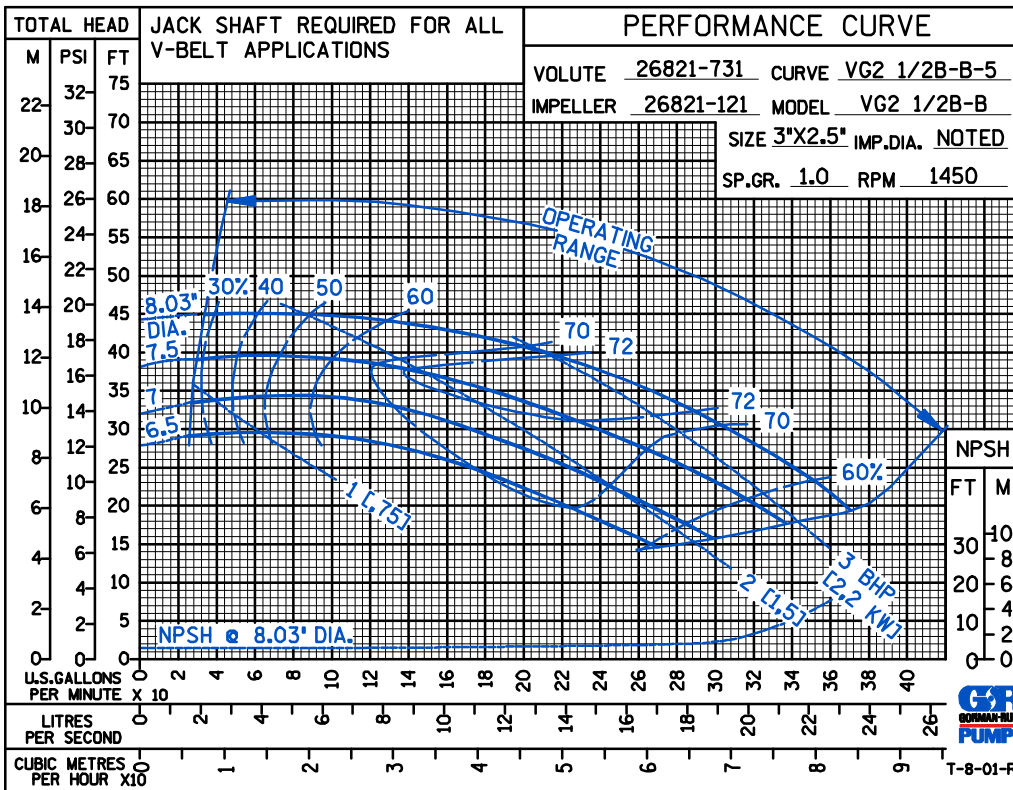
Printed in U.S.A.

ACE

PERFORMANCE  
BASED ON  
WATER



PERFORMANCE  
BASED ON  
WATER



THE GORMAN-RUPP COMPANY • MANSFIELD, OHIO

GORMAN-RUPP OF CANADA LIMITED • ST. THOMAS, ONTARIO, CANADA

Specifications Subject to Change Without Notice

Printed in U.S.A.