

ACE



Basic Pedestal Standard Centrifugal Pump Model VG2D3-B Size 2 1/2" x 2"

PUMP SPECIFICATIONS

Size: 2 1/2" x 2" (64 mm x 51 mm) Flanged.

Casing: Gray Iron 40.

Maximum Operating Pressure 195 psi (1345 kPa).*

Enclosed Type, Six Vane Impeller: Gray Iron 40.

Handles 3/8" (9,5 mm) Diameter Spherical Solids.

Impeller Shaft: Steel 1045.

Shaft Sleeve: Stainless Steel 420.

Seal Plate: Gray Iron 40.

Bearing Housing: Gray Iron 40.

Radial Bearing: Open Single Row Ball.

Thrust Bearing: Open Double Row Ball.

Bearing Lubrication: SAE 30 Non-Detergent Oil.

Gaskets: Nitrile Rubber.

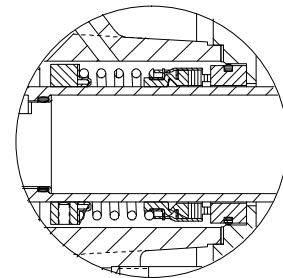
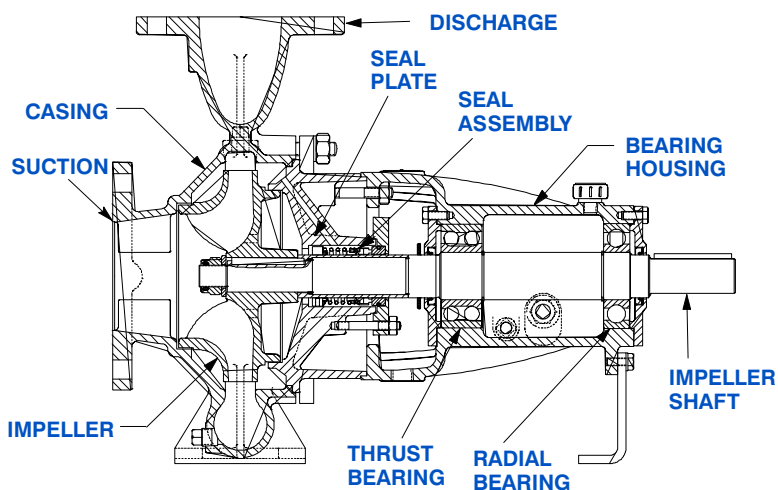
O-Ring: Fluorocarbon (DuPont Viton® or Equivalent).

Hardware: Standard Plated Steel.

Oil Level Sight Gauge.

Optional Equipment: NPT Suction and Discharge Flanges. Strainer. Stainless Steel Impeller. Mechanical Seal with Fluorocarbon Elastomers (DuPont Viton® or Equivalent).

**Consult Factory for Applications Exceeding Maximum Pressure and/or Temperature Indicated.*



SEAL DETAIL

Type 1, Mechanical, Self-Lubricated. Carbon Rotating Face. Ceramic Stationary Seat. Buna-N Elastomers. Stainless Steel and/or Brass Cage and Spring. Maximum Temperature of Liquid Pumped, 160°F (71°C).*



THE GORMAN-RUPP COMPANY • MANSFIELD, OHIO

GORMAN-RUPP OF CANADA LIMITED • ST. THOMAS, ONTARIO, CANADA

www.grpumps.com

Specifications Subject to Change Without Notice

Printed in U.S.A.

Specification Data

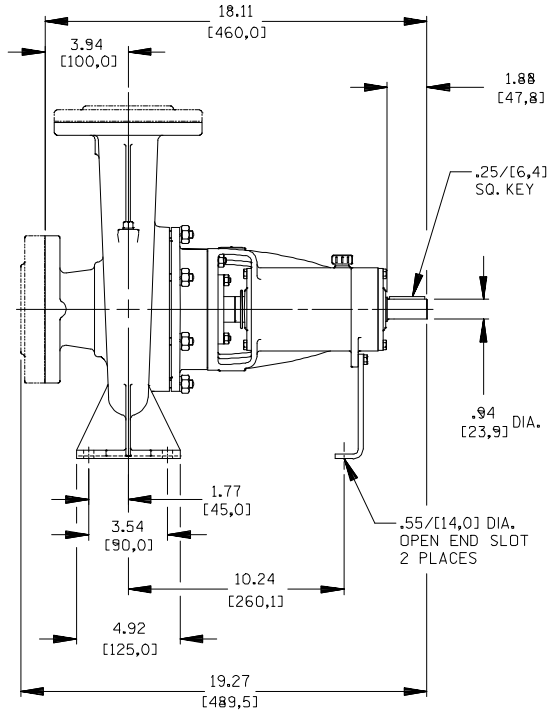
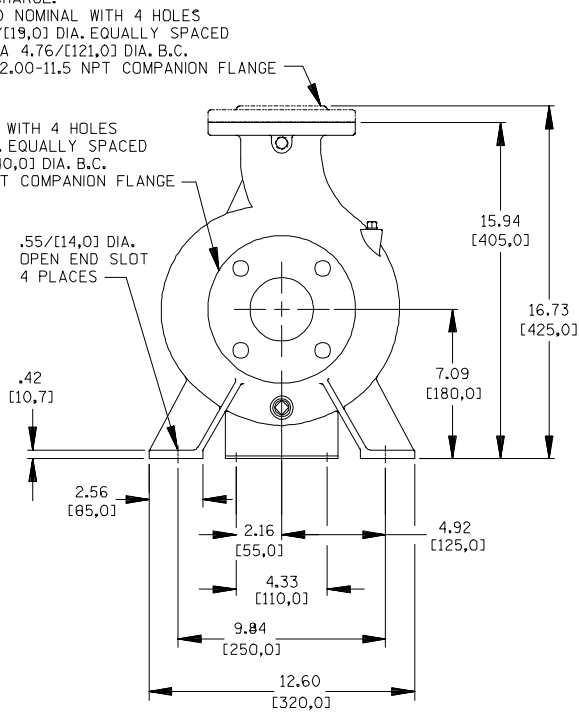
SECTION 70, PAGE 260

APPROXIMATE
DIMENSIONS and WEIGHTS

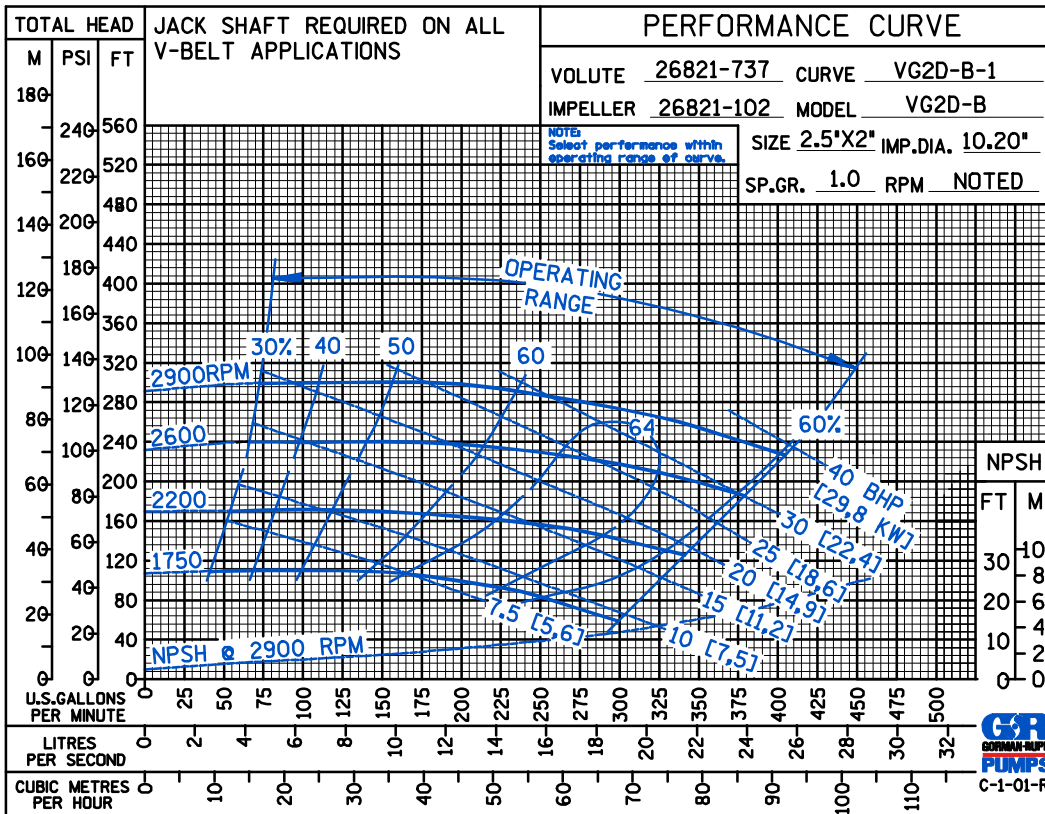
NET WEIGHT: 108 LBS. (49,0 KG.)
SHIPPING WEIGHT: 118 LBS. (53,5 KG.)
EXPORT CRATE SIZE: 5.6 CU. FT. (0,16 CU. M.)

DISCHARGE:
2.00 NOMINAL WITH 4 HOLES
.75/[19,0] DIA. EQUALLY SPACED
ON A 4.76/[121,0] DIA. B.C.
OR 2.00-11.5 NPT COMPANION FLANGE

SUCTION:
2.50 NOMINAL WITH 4 HOLES
.75/[19,0] DIA. EQUALLY SPACED
ON A 5.51/[140,0] DIA. B.C.
OR 2.50-8 NPT COMPANION FLANGE



DIMENSIONS:
INCHES
[MILLIMETERS]



THE GORMAN-RUPP COMPANY • MANSFIELD, OHIO

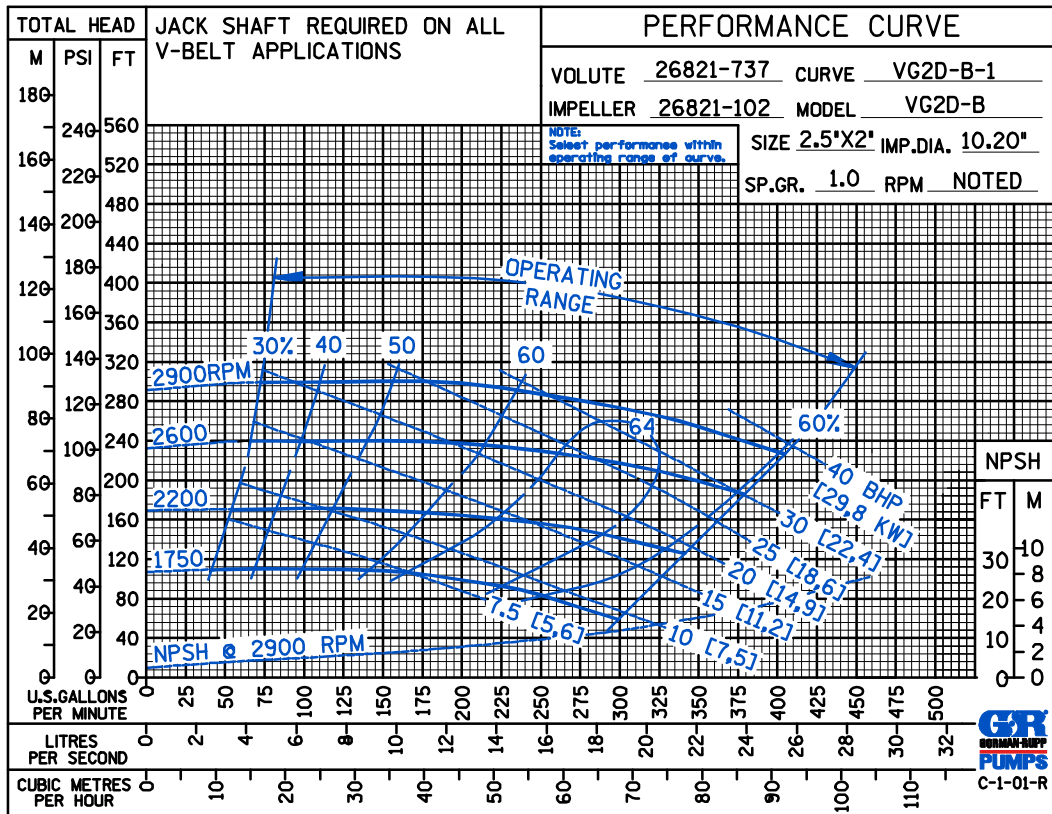
GORMAN-RUPP OF CANADA LIMITED • ST. THOMAS, ONTARIO, CANADA

Specifications Subject to Change Without Notice

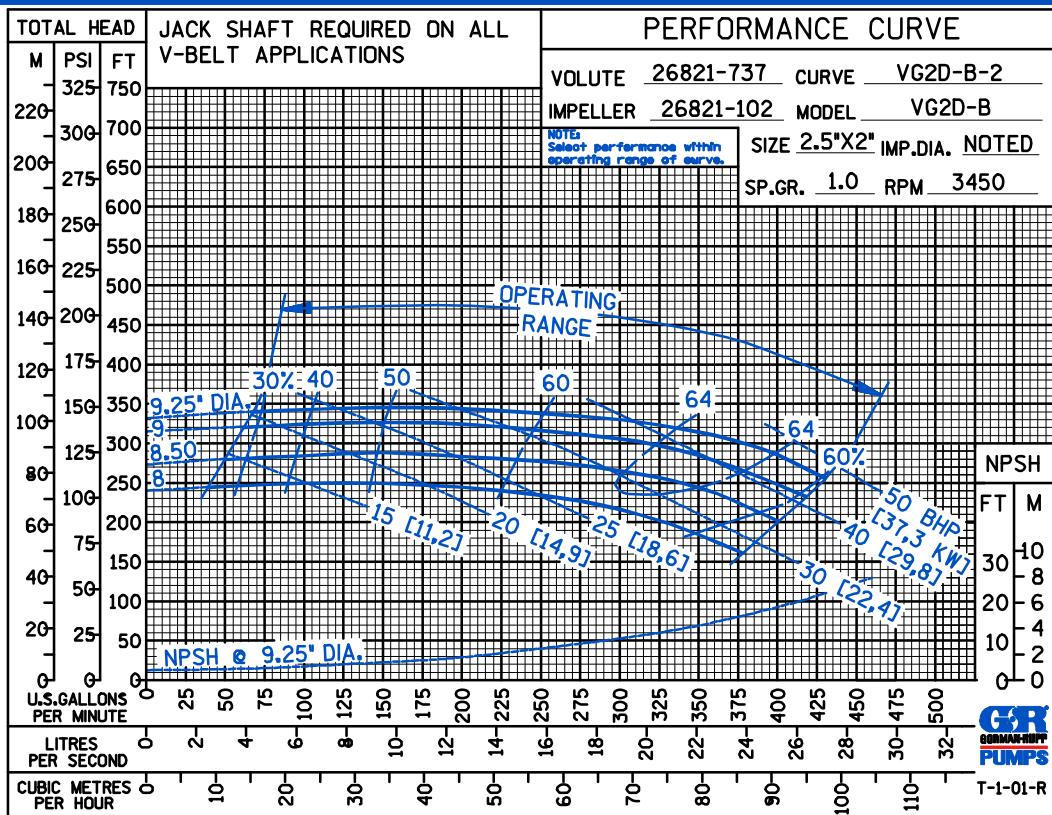
Printed in U.S.A.

ACE

PERFORMANCE
BASED ON
WATER



PERFORMANCE
BASED ON
WATER



THE GORMAN-RUPP COMPANY • MANSFIELD, OHIO

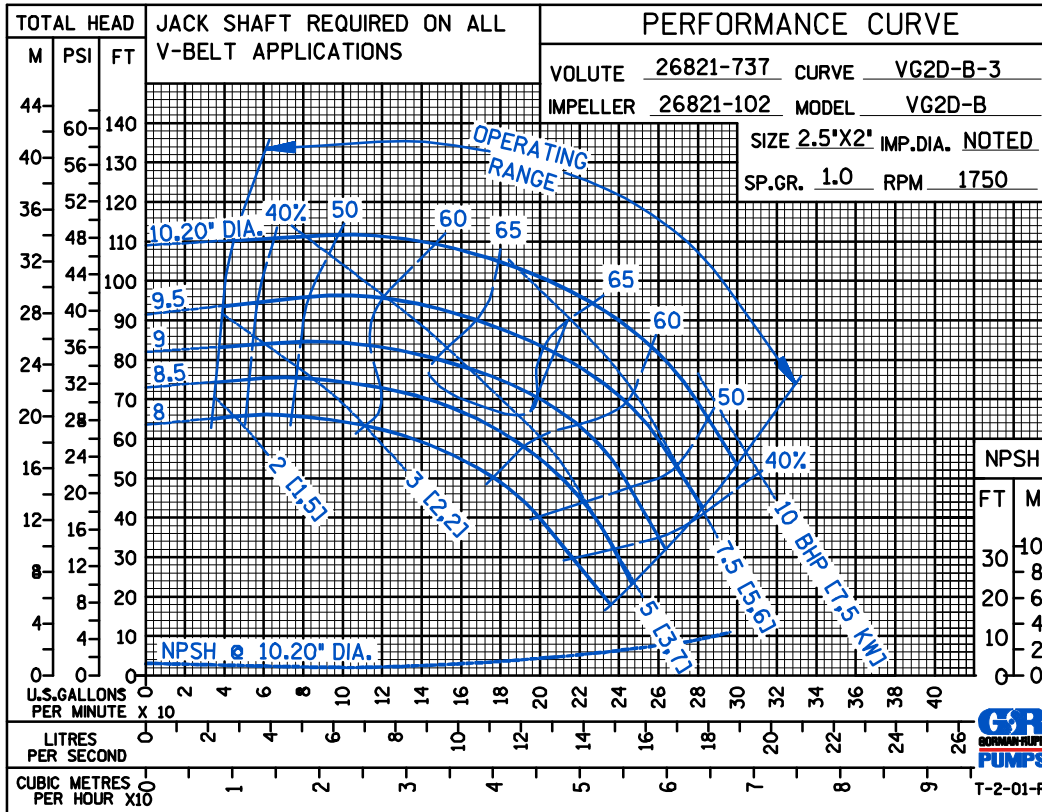
GORMAN-RUPP OF CANADA LIMITED • ST. THOMAS, ONTARIO, CANADA

Specifications Subject to Change Without Notice

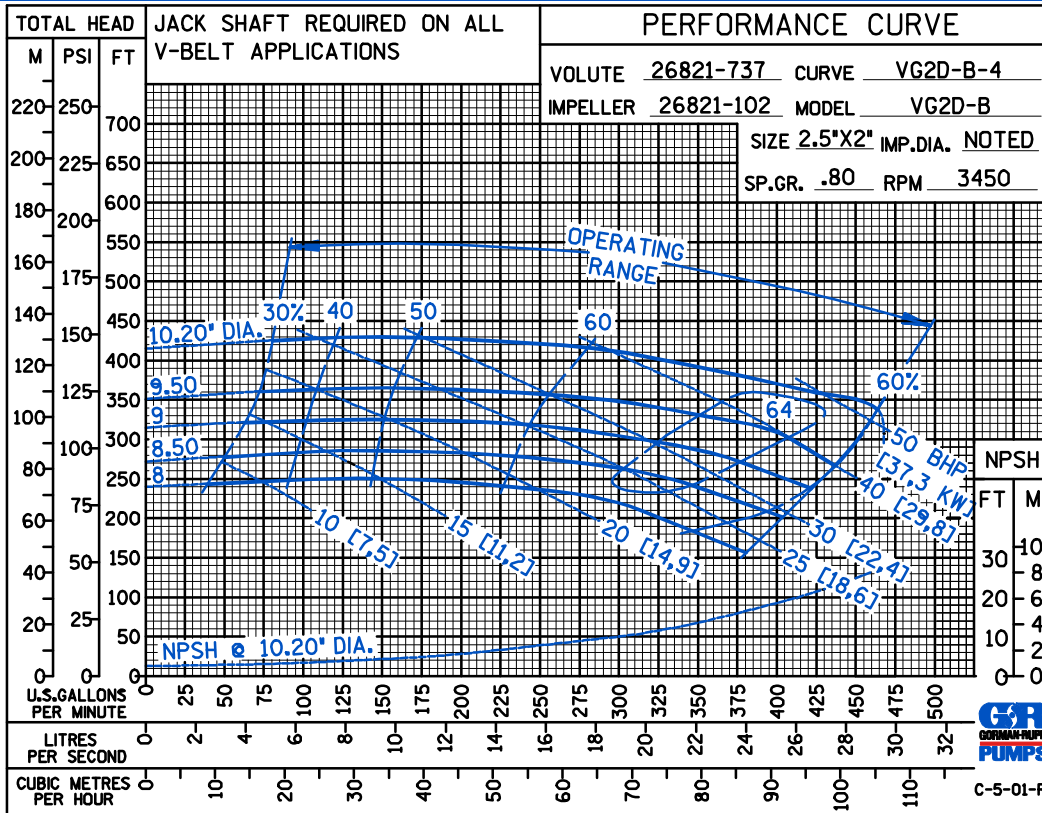
Printed in U.S.A.

ACE

PERFORMANCE
BASED ON
WATER



PERFORMANCE
BASED ON
PETROLEUM



THE GORMAN-RUPP COMPANY • MANSFIELD, OHIO

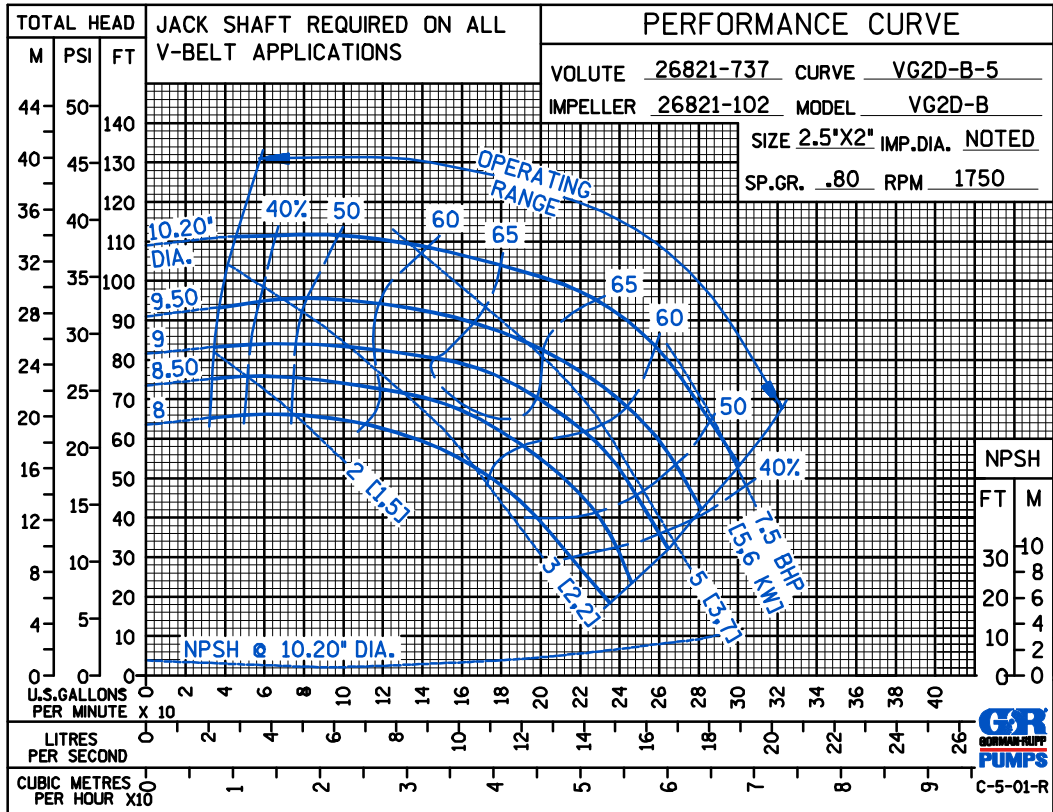
GORMAN-RUPP OF CANADA LIMITED • ST. THOMAS, ONTARIO, CANADA

Specifications Subject to Change Without Notice

Printed in U.S.A.

ACE

PERFORMANCE
BASED ON
PETROLEUM



THE GORMAN-RUPP COMPANY • MANSFIELD, OHIO

GORMAN-RUPP OF CANADA LIMITED • ST. THOMAS, ONTARIO, CANADA

Specifications Subject to Change Without Notice

Printed in U.S.A.