

ACE

# Standard Centrifugal Pump



## Model VG6E3-B

### Size 8" x 6"

#### PUMP SPECIFICATIONS

**Size:** 8" x 6" (203 mm x 152 mm) Flanged.

**Casing:** Gray Iron 40.

Maximum Operating Pressure 228 psi (1572 kPa).\*

**Enclosed Type, Six Vane Impeller:** Gray Iron 40.

Handles 1" (25,4 mm) Diameter Spherical Solids.

**Impeller Shaft:** Steel 1045.

**Shaft Sleeve:** Stainless Steel 420.

**Seal Plate:** Gray Iron 40.

**Bearing Housing:** Gray Iron 40.

**Radial Bearing:** Open Single Row Ball.

**Thrust Bearing:** Open Roller.

**Bearing Lubrication:** SAE 30 Non-Detergent Oil.

**Gaskets:** Nitrile Rubber.

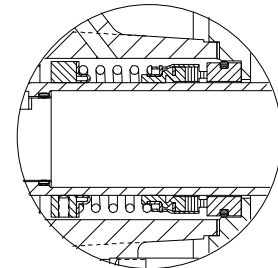
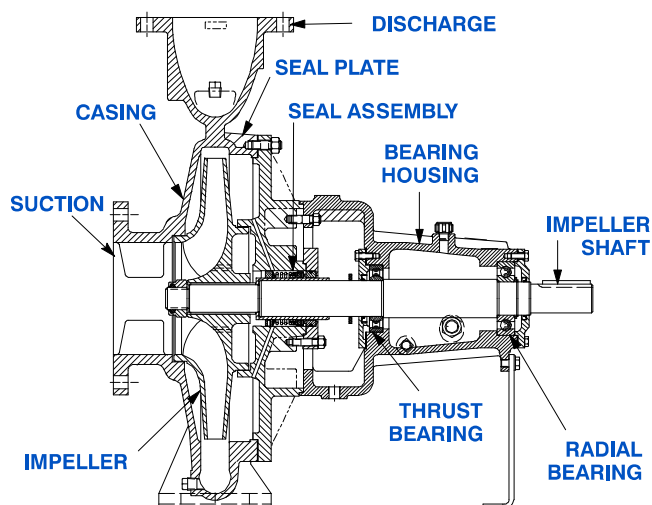
**O-Ring:** Fluorocarbon (DuPont Viton® or Equivalent).

**Hardware:** Standard Plated Steel.

**Oil Level Sight Gauge.**

**Optional Equipment:** NPT Suction and Discharge Flanges. Strainer. Stainless Steel Impeller. Mechanical Seal with Fluorocarbon Elastomers (DuPont Viton® or Equivalent). Hand Primer. Manual Discharge Check Valve.

*\*Consult Factory for Applications Exceeding Maximum Pressure and/or Temperature Indicated.*



#### SEAL DETAIL

Type 1, Mechanical, Self-Lubricated. Carbon Rotating Face. Ceramic Stationary Seat. Buna-N Elastomers. Stainless Steel Cage and Spring. Maximum Temperature of Liquid Pumped, 160°F (71°C).\*



THE GORMAN-RUPP COMPANY • MANSFIELD, OHIO

GORMAN-RUPP OF CANADA LIMITED • ST. THOMAS, ONTARIO, CANADA

www.grpumps.com

Specifications Subject to Change Without Notice

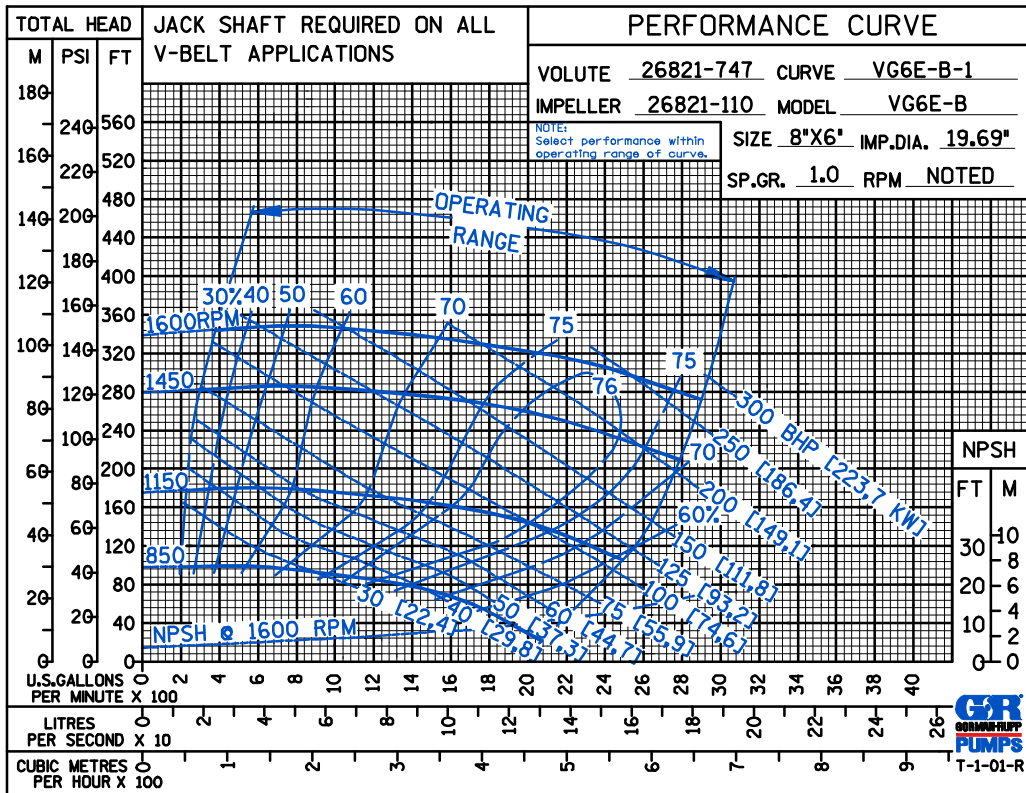
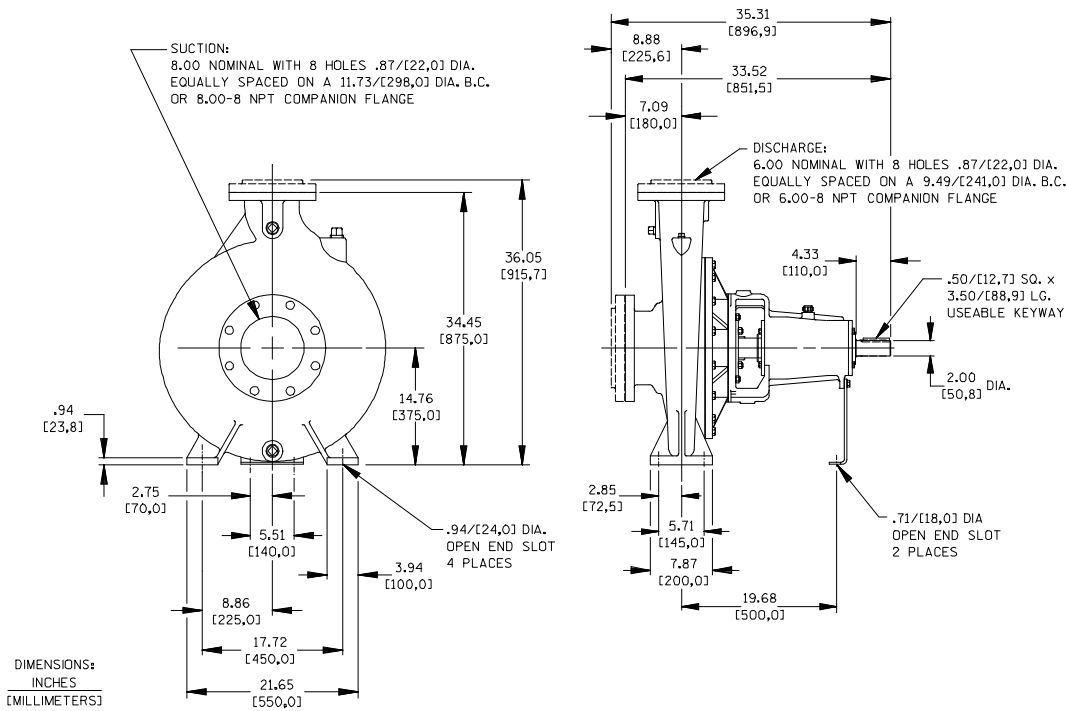
Printed in U.S.A.

**Specification Data**

SECTION 70, PAGE 1450

APPROXIMATE DIMENSIONS and WEIGHTS

**NET WEIGHT:** 749 LBS. (339,7 KG.)  
**SHIPPING WEIGHT:** 789 LBS. (357,9 KG.)  
**EXPORT CRATE SIZE:** 35.65 CU. FT. (1,01 CU. M.)



PERFORMANCE BASED ON WATER



THE GORMAN-RUPP COMPANY • MANSFIELD, OHIO

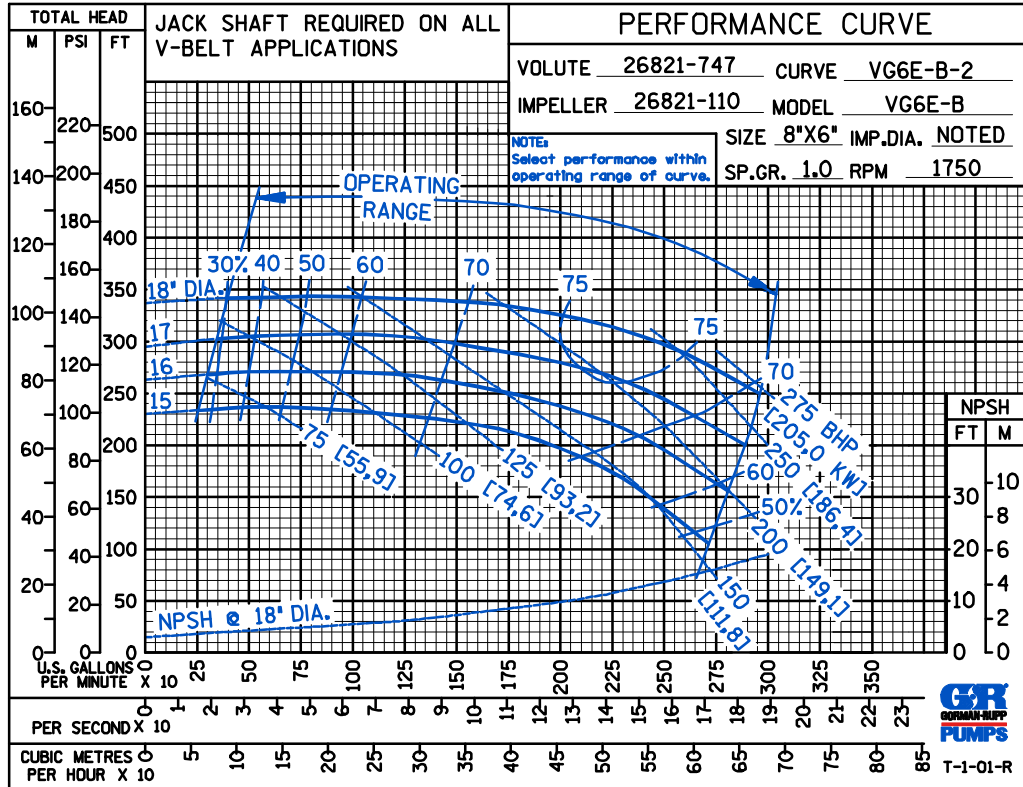
GORMAN-RUPP OF CANADA LIMITED • ST. THOMAS, ONTARIO, CANADA

Specifications Subject to Change Without Notice

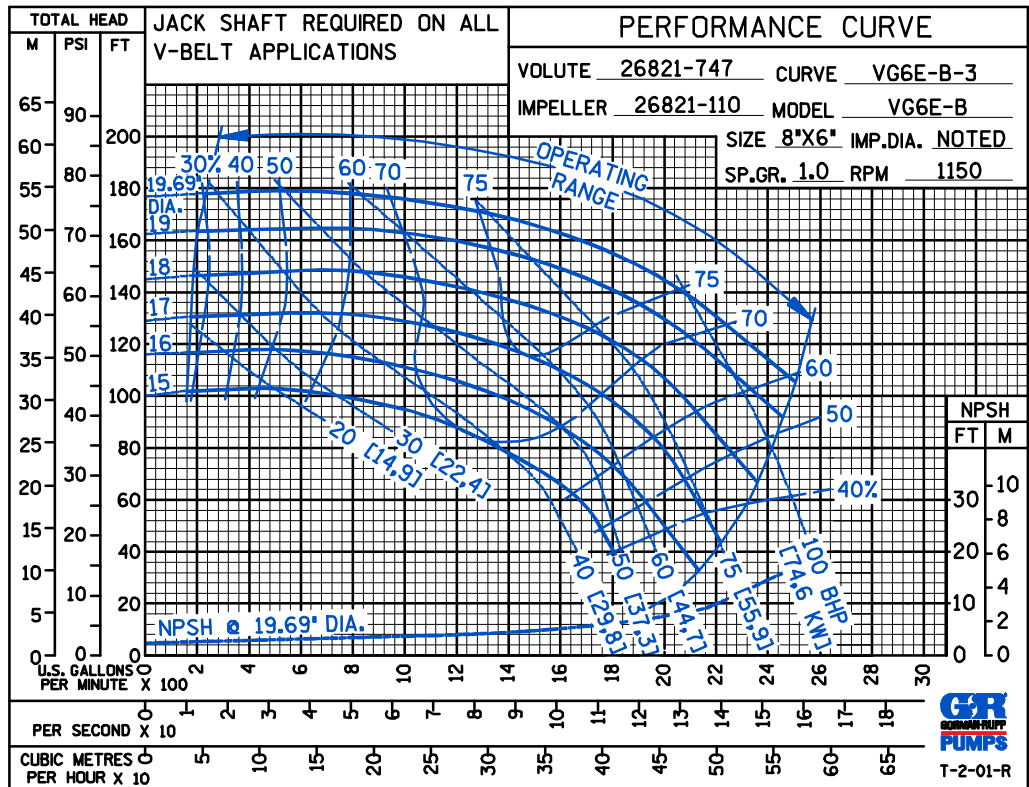
Printed in U.S.A.

ACE

PERFORMANCE  
BASED ON  
WATER



PERFORMANCE  
BASED ON  
WATER



THE GORMAN-RUPP COMPANY • MANSFIELD, OHIO

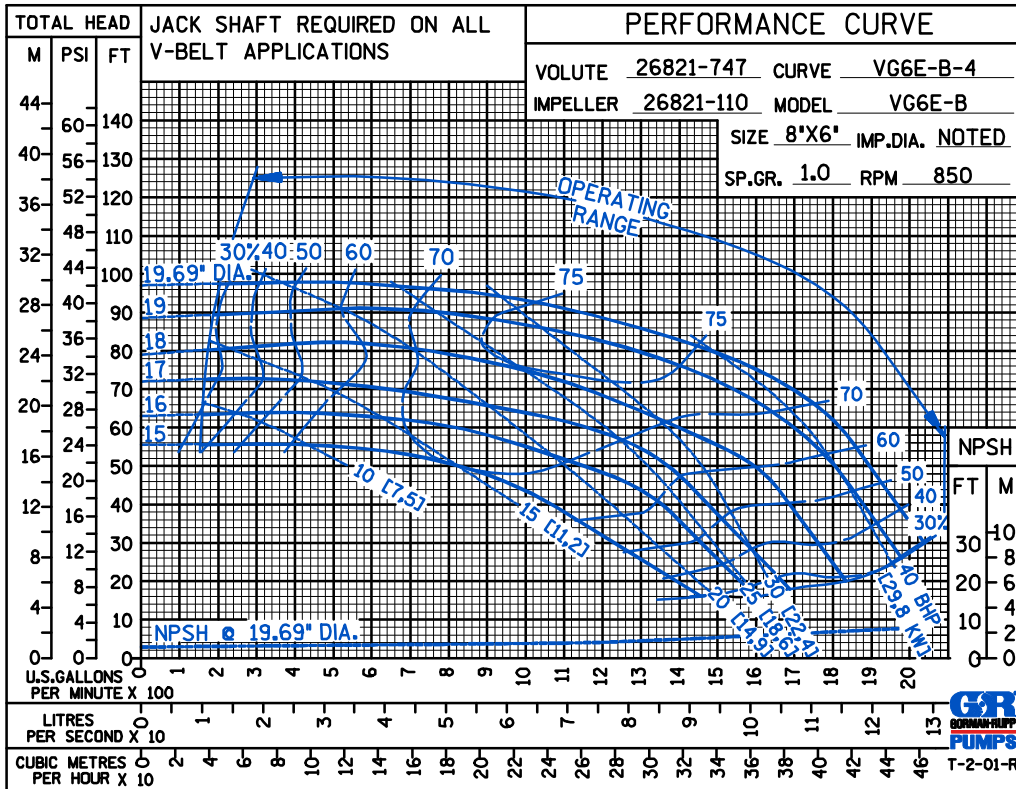
GORMAN-RUPP OF CANADA LIMITED • ST. THOMAS, ONTARIO, CANADA

Specifications Subject to Change Without Notice

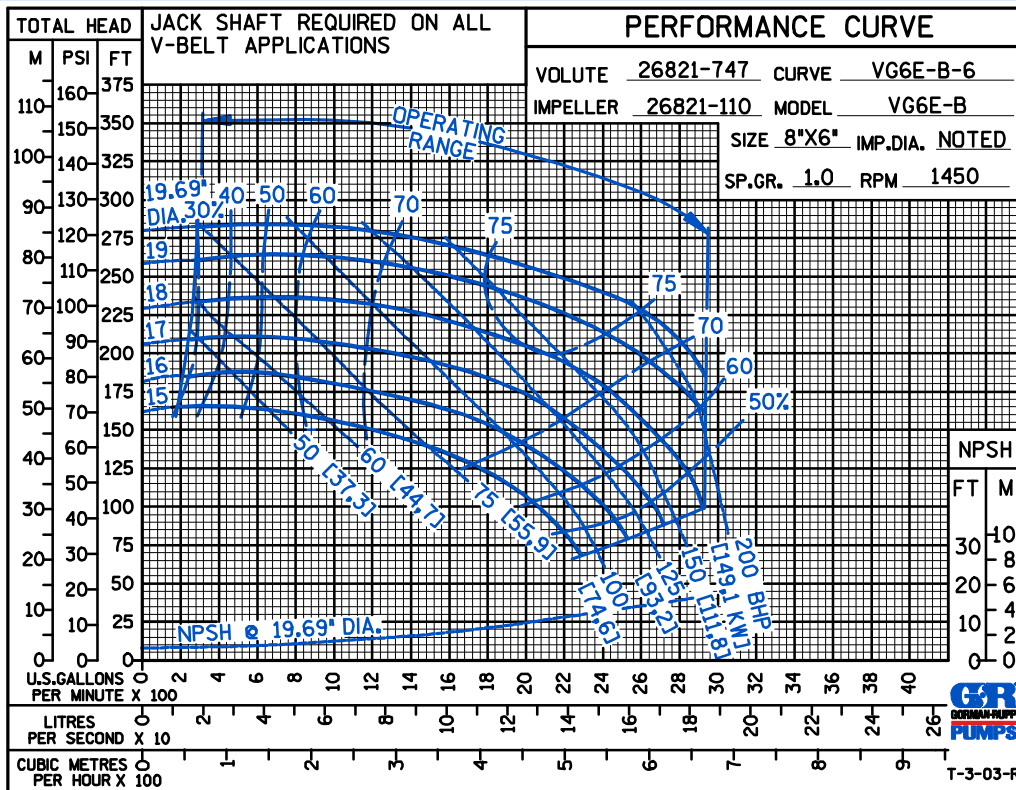
Printed in U.S.A.

ACE

PERFORMANCE  
BASED ON  
WATER



50 HERTZ  
PERFORMANCE  
BASED ON  
WATER



THE GORMAN-RUPP COMPANY • MANSFIELD, OHIO

GORMAN-RUPP OF CANADA LIMITED • ST. THOMAS, ONTARIO, CANADA

Specifications Subject to Change Without Notice

Printed in U.S.A.