

A B C E

Basic Pedestal

Standard Centrifugal Pump



Model VGH1 1/4C31-B

Size 2" x 1 1/4"

PUMP SPECIFICATIONS

Size: 2" x 1 1/4" (51 mm x 32 mm) Raised Face Flanges.

Casing: Ductile Iron.

Maximum Operating Pressure 176 psi (1214 kPa).*

Enclosed Type, Six Vane Impeller: Gray Iron 40.

Handles 11/64" (4,5 mm) Diameter Spherical Solids.

Impeller Shaft: Steel 1045.

Two Replaceable Wear Rings: Gray Iron 25.

Seal Plate: Ductile Iron.

Bypass Flush Piping.

Bearing Housing: Gray Iron 25.

Radial Bearing: Open Single Row Ball.

Thrust Bearing: Open Double Row Ball.

Bearing Lubrication: SAE 30 Non-Detergent Oil.

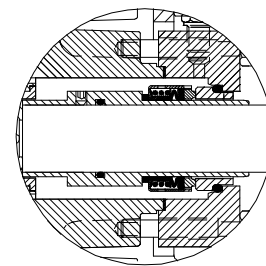
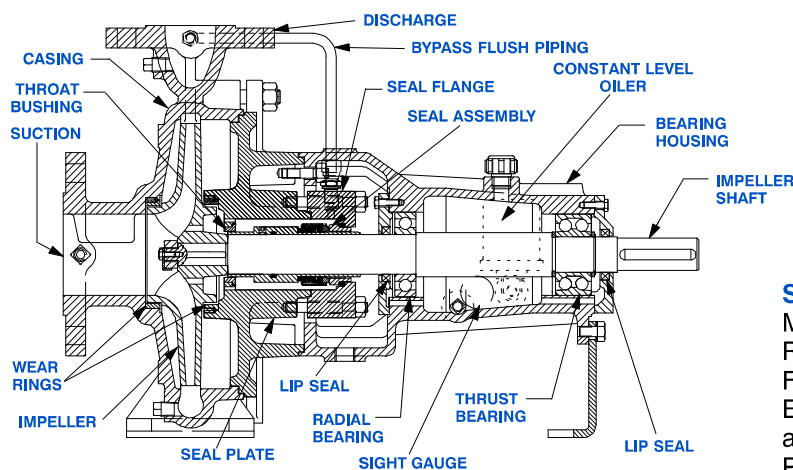
Gaskets: Nitrile Rubber.

Hardware: Standard Plated Steel.

Bearing Housing Level Oiler.

Optional Equipment: Strainer. NPT Suction and Discharge Flanges. Stainless Steel Impeller. Consult Factory for Optional Seals.

**Consult Factory for Applications Exceeding Maximum Pressure and/or Temperature Indicated.*



SEAL DETAIL

Mechanical, Self-Lubricated. Silicon Carbide Rotating and Stationary Faces. Fluorocarbon Elastomers (DuPont Viton® or Equivalent). Stainless Steel 316 Shaft Sleeve and Spring. Maximum Temperature of Liquid Pumped, 160°F (71°C).*



THE GORMAN-RUPP COMPANY • MANSFIELD, OHIO

GORMAN-RUPP OF CANADA LIMITED • ST. THOMAS, ONTARIO, CANADA

www.grpumps.com

Specifications Subject to Change Without Notice

Printed in U.S.A.

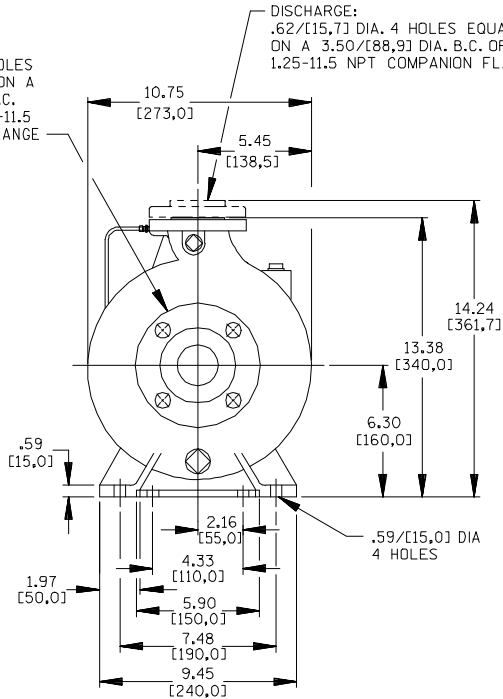
Specification Data

SECTION 70, PAGE 126

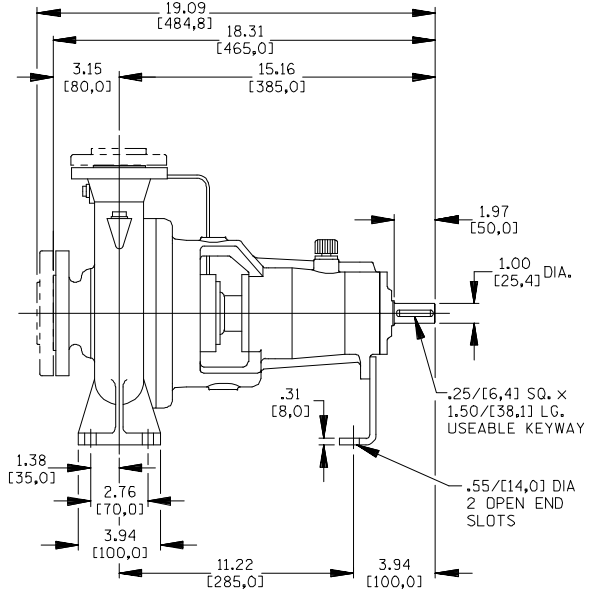
APPROXIMATE
DIMENSIONS and WEIGHTS

NET WEIGHT: 95 LBS. (43 KG.)
SHIPPING WEIGHT: 105 LBS. (48 KG.)
EXPORT CRATE SIZE: 8.5 CU. FT. (0,24 CU. M.)

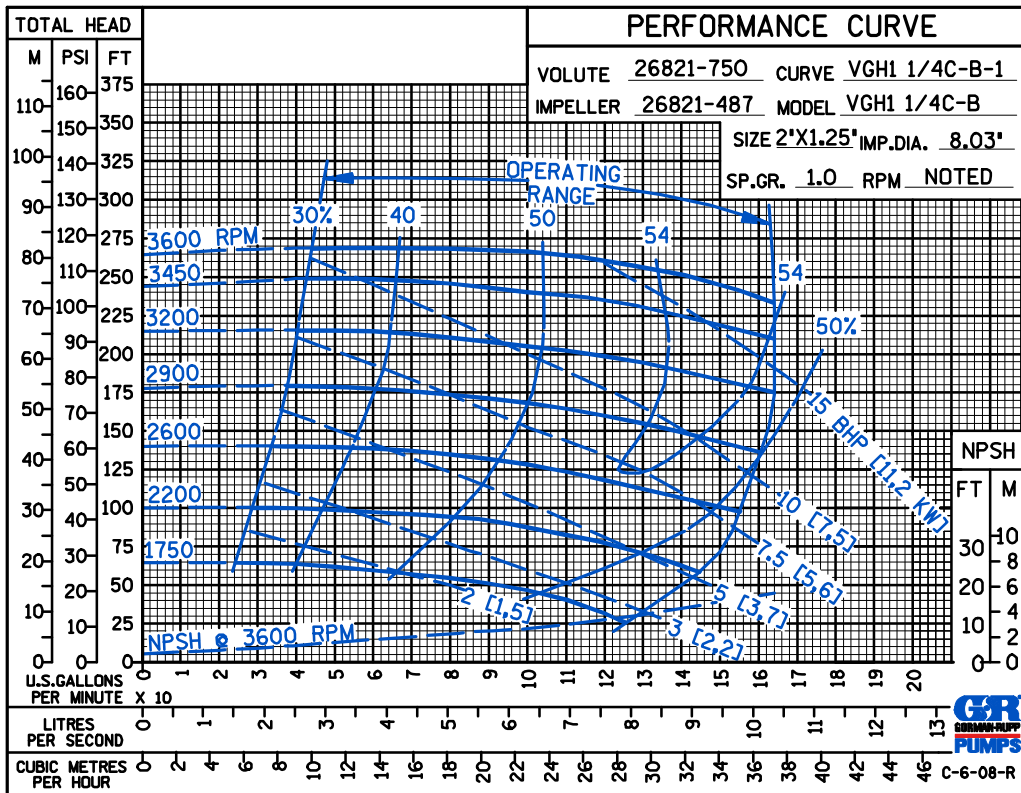
SUCTION:
.75/[19,0] DIA. 4 HOLES
EQUALLY SPACED ON A
4.75/[120,6] DIA. B.C.
OR OPTIONAL 2.00-11.5
NPT COMPANION FLANGE



DISCHARGE:
.62/[15,7] DIA. 4 HOLES EQUALLY SPACED
ON A 3.50/[88,9] DIA. B.C. OR OPTIONAL
1.25-11.5 NPT COMPANION FLANGE



DIMENSIONS:
INCHES
[MILLIMETERS]



PERFORMANCE
BASED ON
WATER



THE GORMAN-RUPP COMPANY • MANSFIELD, OHIO

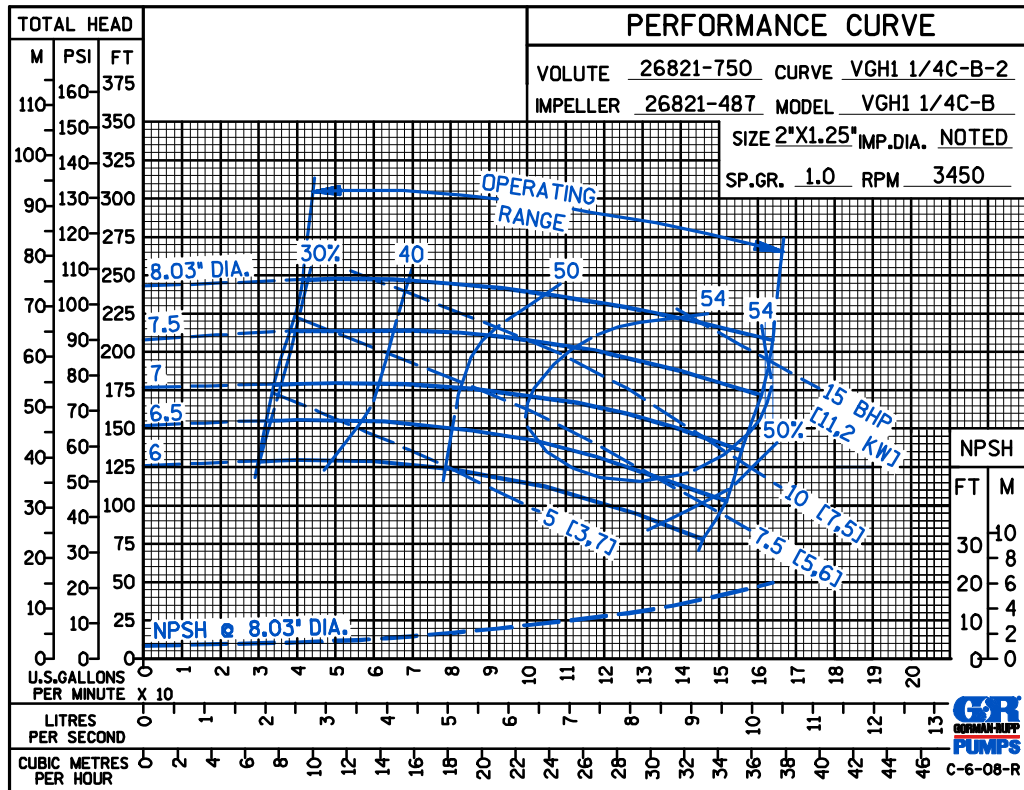
GORMAN-RUPP OF CANADA LIMITED • ST. THOMAS, ONTARIO, CANADA

Specifications Subject to Change Without Notice

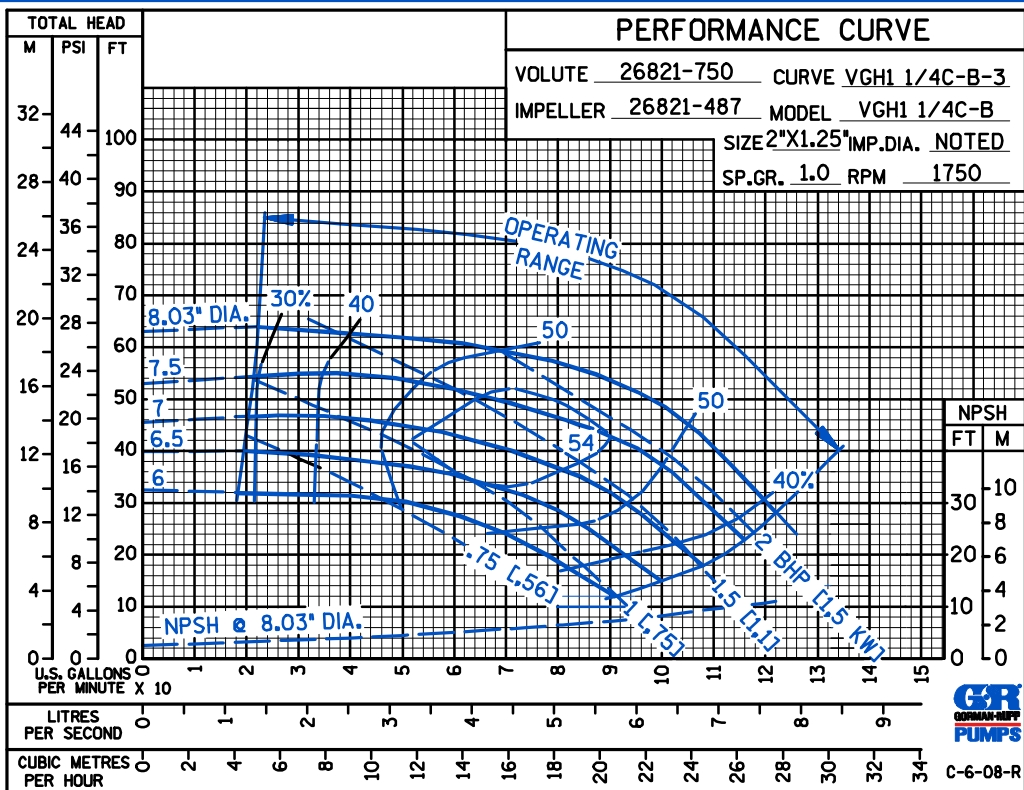
Printed in U.S.A.

A B C E

PERFORMANCE
BASED ON
WATER



PERFORMANCE
BASED ON
WATER



THE GORMAN-RUPP COMPANY • MANSFIELD, OHIO

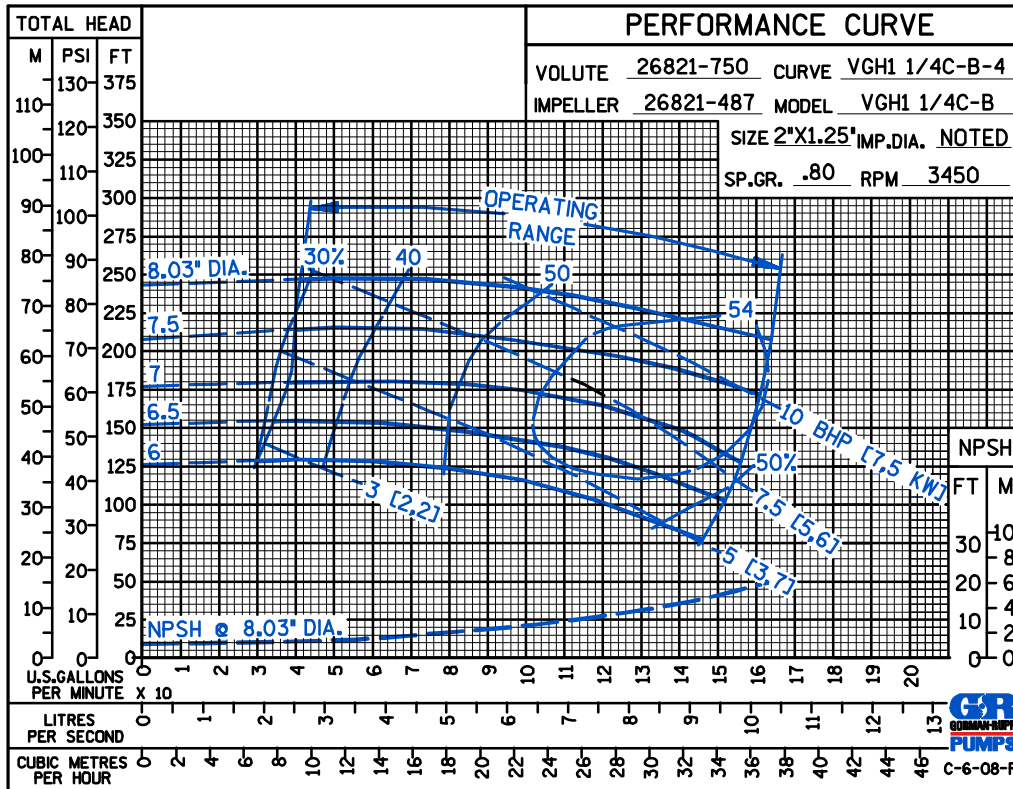
GORMAN-RUPP OF CANADA LIMITED • ST. THOMAS, ONTARIO, CANADA

Specifications Subject to Change Without Notice

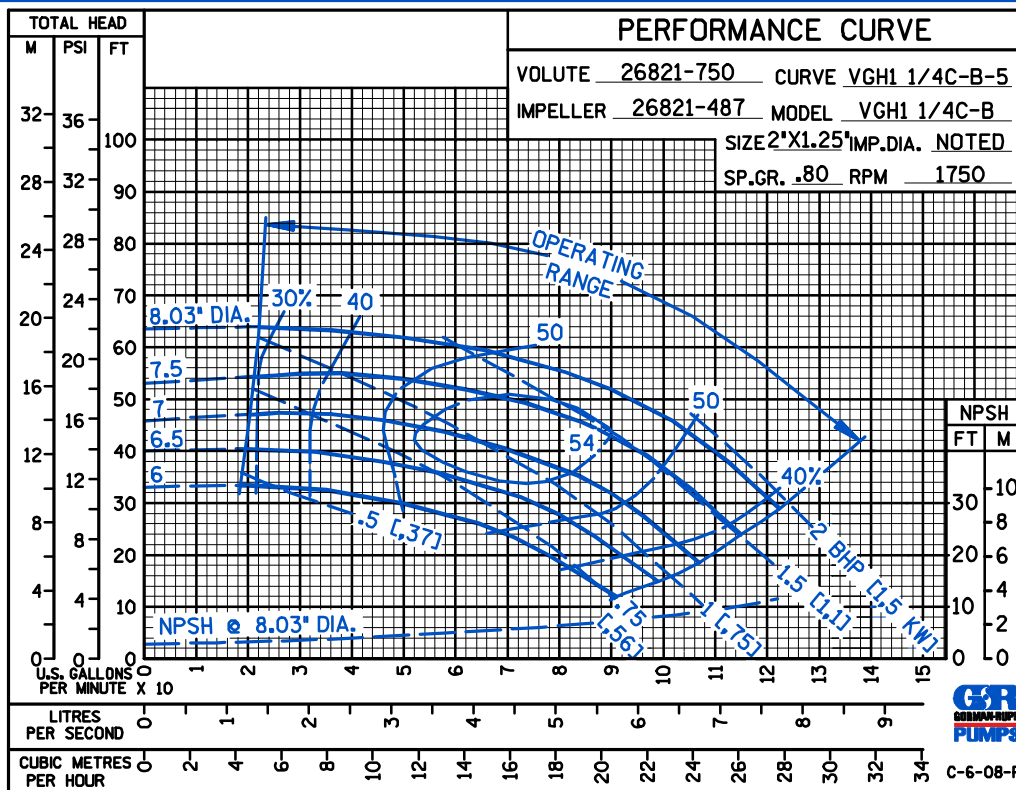
Printed in U.S.A.

A B C E

PERFORMANCE
BASED ON
PETROLEUM



PERFORMANCE
BASED ON
PETROLEUM



THE GORMAN-RUPP COMPANY • MANSFIELD, OHIO

GORMAN-RUPP OF CANADA LIMITED • ST. THOMAS, ONTARIO, CANADA

Specifications Subject to Change Without Notice

Printed in U.S.A.