

A B C E



## Basic Pedestal

## Standard Centrifugal Pump

## Model VGH2D31-B

## Size 3" x 2"

## PUMP SPECIFICATIONS

**Size:** 3" x 2" (76 mm x 51 mm) Raised Face Flanges.

**Casing:** Ductile Iron.

Maximum Operating Pressure 299 psi (2062 kPa).\*

**Enclosed Type, Six Vane Impeller:** Gray Iron 40.

Handles 11/32" (9 mm) Diameter Spherical Solids.

**Impeller Shaft:** Steel 1045.

**Two Replaceable Wear Rings:** Gray Iron 25.

**Seal Plate:** Ductile Iron.

**Bypass Flush Piping.**

**Bearing Housing:** Gray Iron 25.

**Radial Bearing:** Open Cylindrical Roller.

**Thrust Bearing:** Open Double Row Ball.

**Bearing Lubrication:** SAE 30 Non-Detergent Oil.

**Gaskets:** Nitrile Rubber.

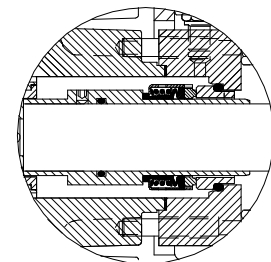
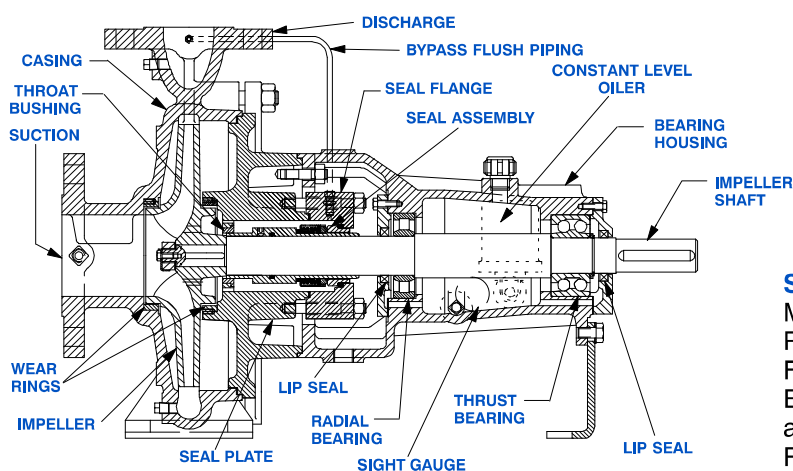
**Hardware:** Standard Plated Steel.

**Bearing Housing Level Oiler.**

**Optional Equipment:** Strainer. NPT Suction and Discharge Flanges. Stainless Steel Impeller. Consult Factory for Optional Seals.



*\*Consult Factory for Applications Exceeding Maximum Pressure and/or Temperature Indicated.*



## SEAL DETAIL

Mechanical, Self-Lubricated. Silicon Carbide Rotating and Stationary Faces. Fluorocarbon Elastomers (DuPont Viton® or Equivalent). Stainless Steel 316 Shaft Sleeve and Spring. Maximum Temperature of Liquid Pumped, 160°F (71°C).\*



THE GORMAN-RUPP COMPANY • MANSFIELD, OHIO

GORMAN-RUPP OF CANADA LIMITED • ST. THOMAS, ONTARIO, CANADA

www.grpumps.com

Specifications Subject to Change Without Notice

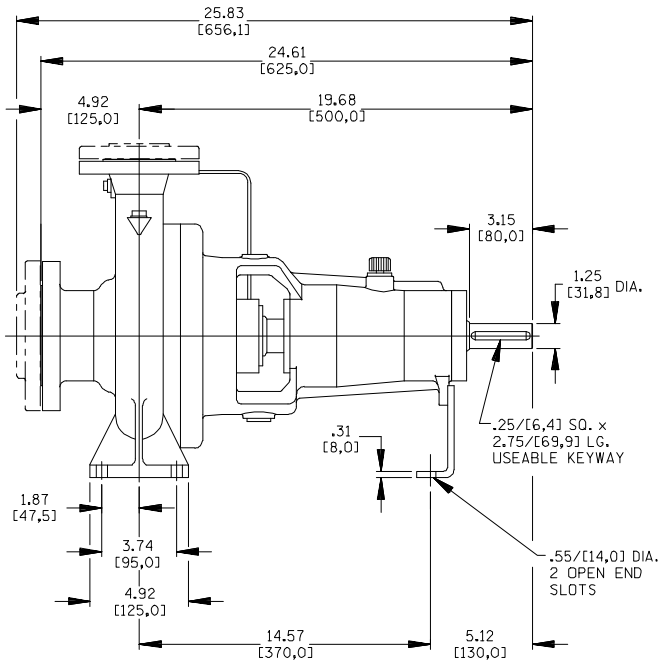
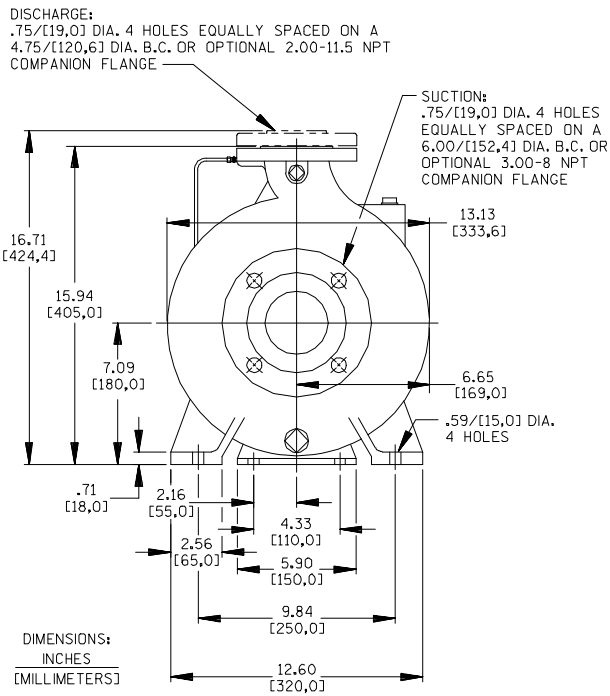
Printed in U.S.A.

**Specification Data**

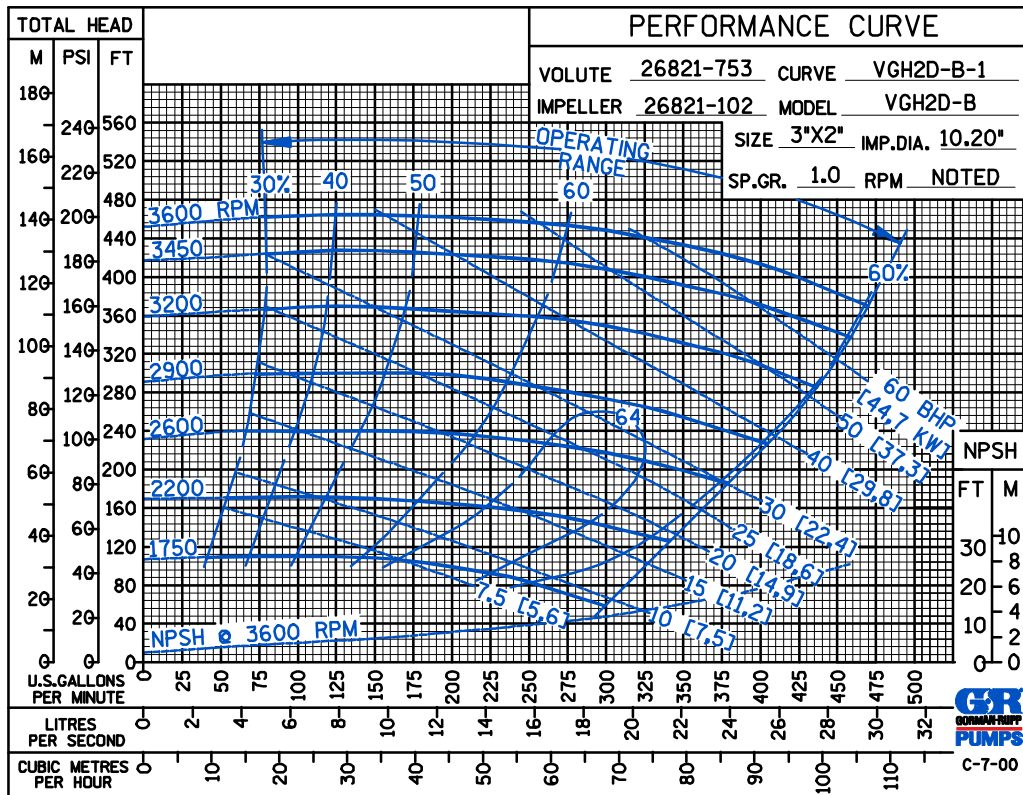
SECTION 70, PAGE 261

APPROXIMATE DIMENSIONS and WEIGHTS

**NET WEIGHT: 160 LBS. (73 KG.)**  
**SHIPPING WEIGHT: 170 LBS. (77 KG.)**  
**EXPORT CRATE SIZE: 7.9 CU. FT. (0,22 CU. M.)**



PERFORMANCE BASED ON WATER



THE GORMAN-RUPP COMPANY • MANSFIELD, OHIO

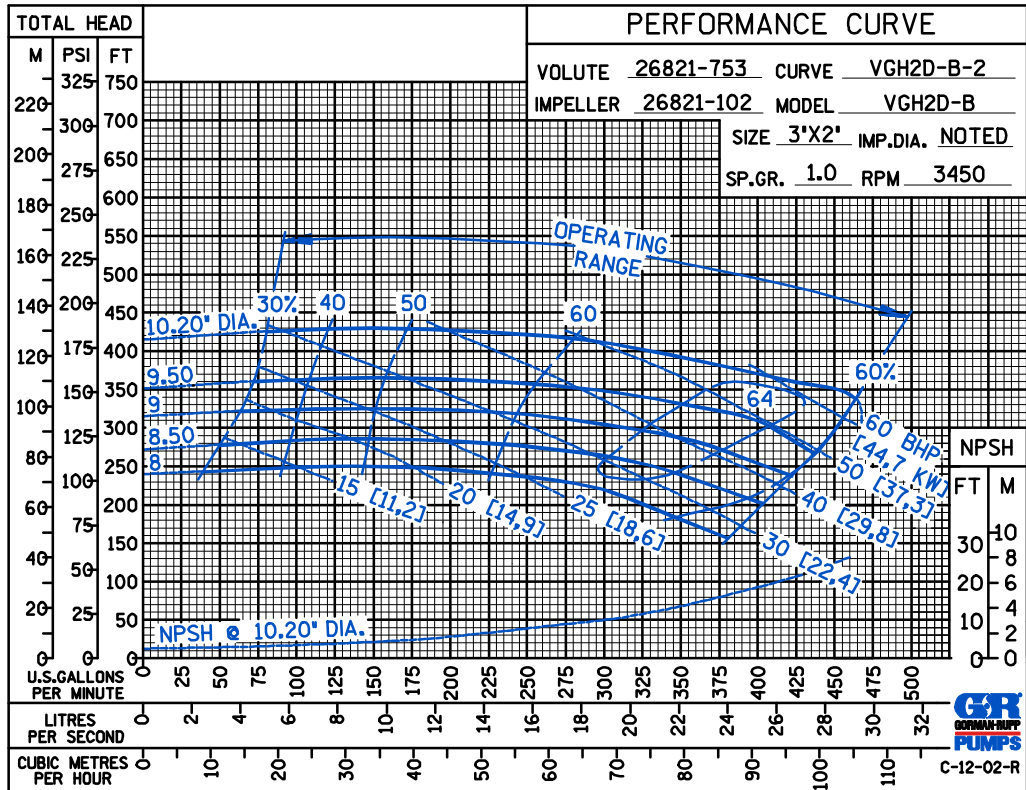
GORMAN-RUPP OF CANADA LIMITED • ST. THOMAS, ONTARIO, CANADA

Specifications Subject to Change Without Notice

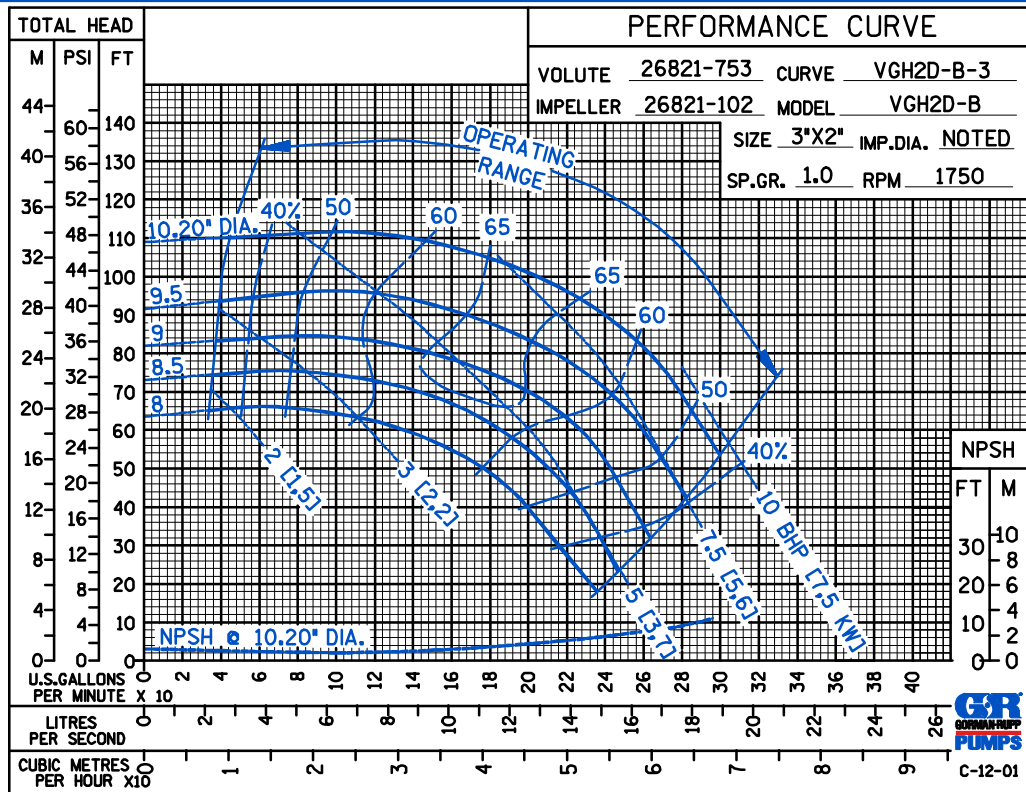
Printed in U.S.A.

A B C E

PERFORMANCE  
BASED ON  
WATER



PERFORMANCE  
BASED ON  
WATER



THE GORMAN-RUPP COMPANY • MANSFIELD, OHIO

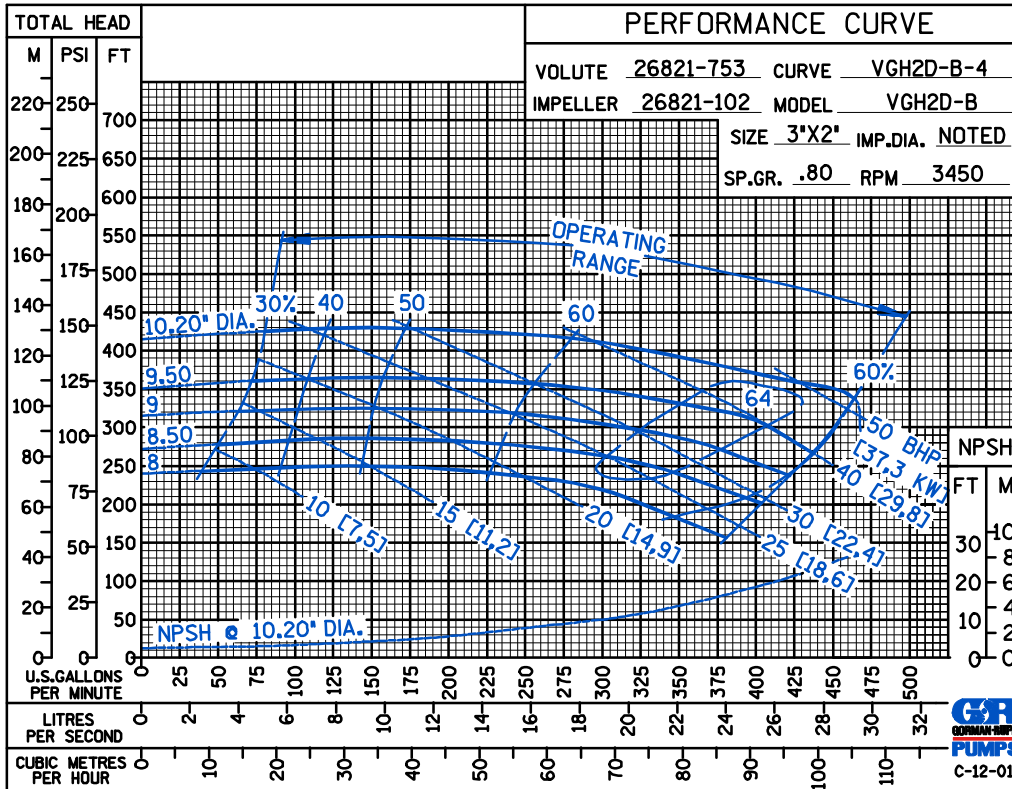
GORMAN-RUPP OF CANADA LIMITED • ST. THOMAS, ONTARIO, CANADA

Specifications Subject to Change Without Notice

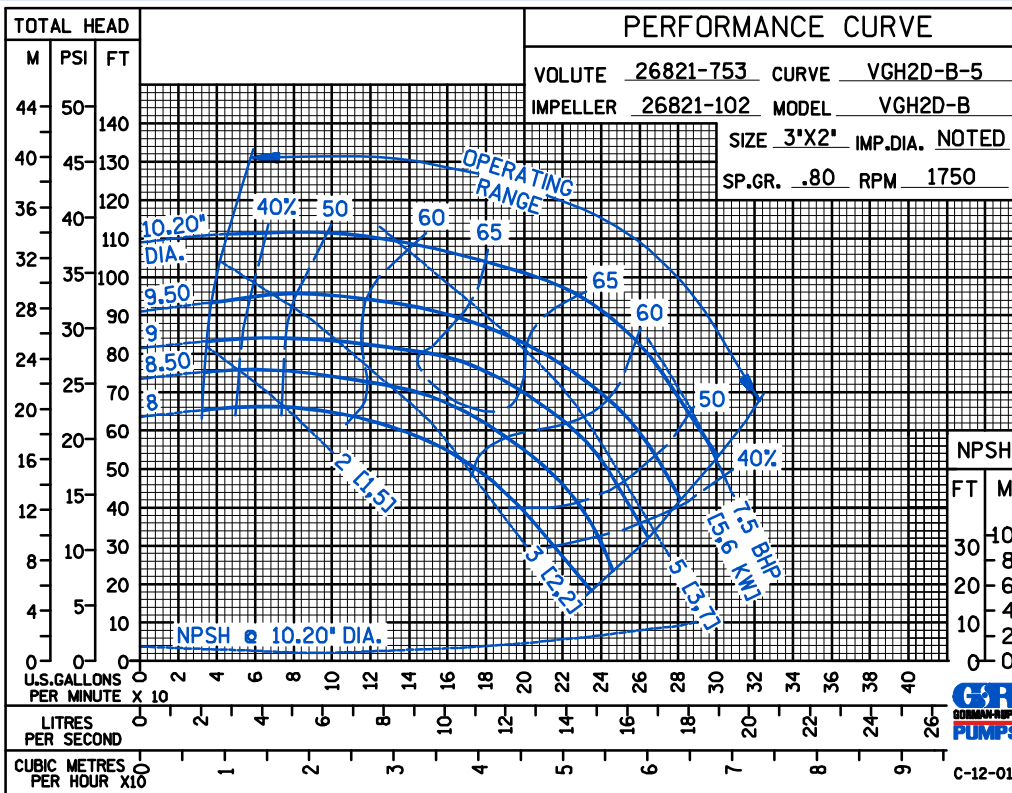
Printed in U.S.A.

A B C E

PERFORMANCE  
BASED ON  
PETROLEUM



PERFORMANCE  
BASED ON  
PETROLEUM



THE GORMAN-RUPP COMPANY • MANSFIELD, OHIO

GORMAN-RUPP OF CANADA LIMITED • ST. THOMAS, ONTARIO, CANADA

Specifications Subject to Change Without Notice

Printed in U.S.A.