

Equipped With  
**ERADICATOR**  
Solids Management System

Super  
**T SERIES**

# Self Priming Centrifugal Pump

## Model T10C60SC-B

Size 10" x 10"



### PUMP SPECIFICATIONS

**Size:** 10" x 10" (254 mm x 254 mm) Flanged.

**Casing:** Gray Iron 30.

Maximum Operating Pressure 99 psi (683 kPa).\*

**Semi-Open Type, Two Vane Impeller:** Ductile Iron 65-45-12.

Handles 3" (76.2 mm) Diameter Spherical Solids.

**Impeller Shaft:** Stainless Steel 17-4 PH.

**Shaft Sleeve:** Alloy Steel 4130.

**Replaceable Front Wear Plate:** Ductile Iron 80-55-06.

**Replaceable Self-Cleaning Front Wear Plate Insert:** ASTM A569  
Hardened Steel.

**Replaceable Rear Wear Plate:** Carbon Steel ASTM A36.

**Removable Clean-out Cover Plate:** Gray Iron 30; 9 lbs. (4 kg.).

**Flap Valve:** Neoprene w/Steel Reinforcing.

**Seal Plate:** Gray Iron 30.

**Bearing Housing:** Gray Iron 30.

**Radial and Thrust Bearings:** Open Double Row Ball.

**Bearing and Seal Cavity Lubrication:** SAE 30 Non-Detergent Oil.

**Suction Flange:** Gray Iron 30.

**Suction Head:** Gray Iron 30.

**Gaskets:** Buna-N, PTFE, Cork and Rubber.

**O-Rings:** Buna-N.

**Hardware:** Standard Plated Steel.

**Brass Pressure Relief Valve.**

**Bearing and Seal Cavity Oil Level Sight Gauges.**

**Optional Equipment:** Tungsten Titanium Carbide Seal. Metal Bel-  
lows Seal. Automatic Air Release Valve. 120V/240V Casing Heater.  
High Pump Temperature Shutdown Kit. Gray Iron 30 Spool Flanges:  
10" ASA Discharge.

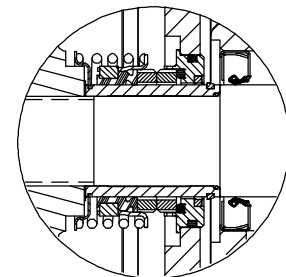
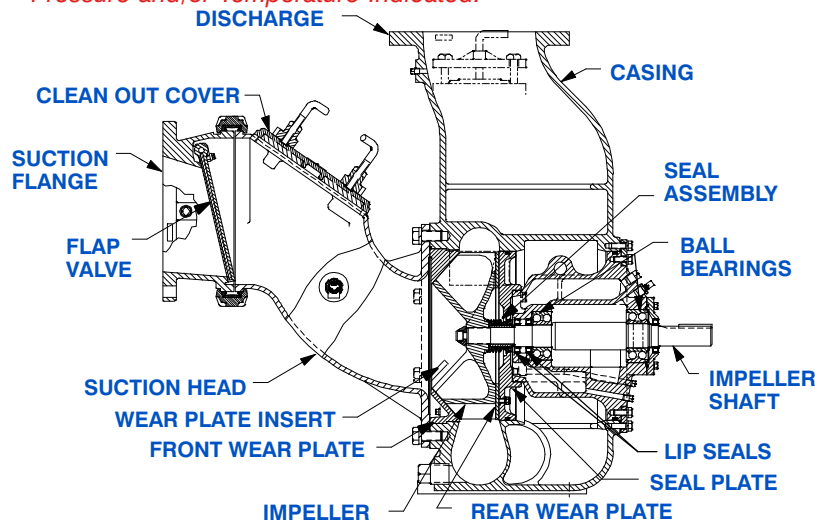
250 mm DIN 2527 (PN 16) Suction and Discharge

(Specify Model T10C60SC-B /FM).

\*Consult Factory for Applications Exceeding Maximum  
Pressure and/or Temperature Indicated.



Shown with Optional Discharge Spool  
Flange (Suction/Discharge Spool Flanges  
Available in ASA or DIN Standard Sizes).



### SEAL DETAIL

Cartridge Type, Mechanical, Oil-Lubricated, Double Floating, Self-Aligning. Silicon Carbide Rotating and Stationary Faces. Stainless Steel 316 Stationary Seat. Fluorocarbon Elastomers (DuPont Viton® or Equivalent). Stainless Steel 18-8 Cage and Spring. Maximum Temperature of Liquid Pumped, 160°F (71°C).\*

**GR**  
GORMAN-RUPP  
PUMPS

GORMAN-RUPP PUMPS

www.grpumps.com

Specifications Subject to Change Without Notice

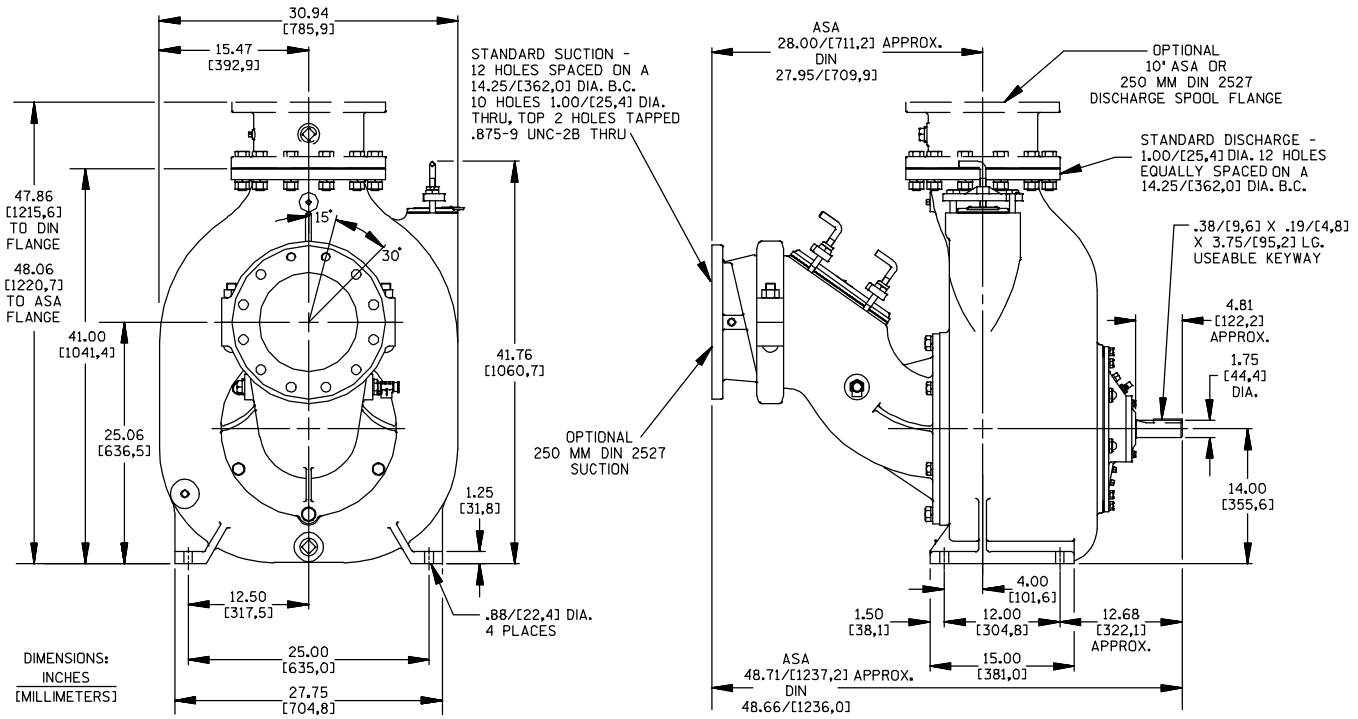
Printed in U.S.A.

**Specification Data**

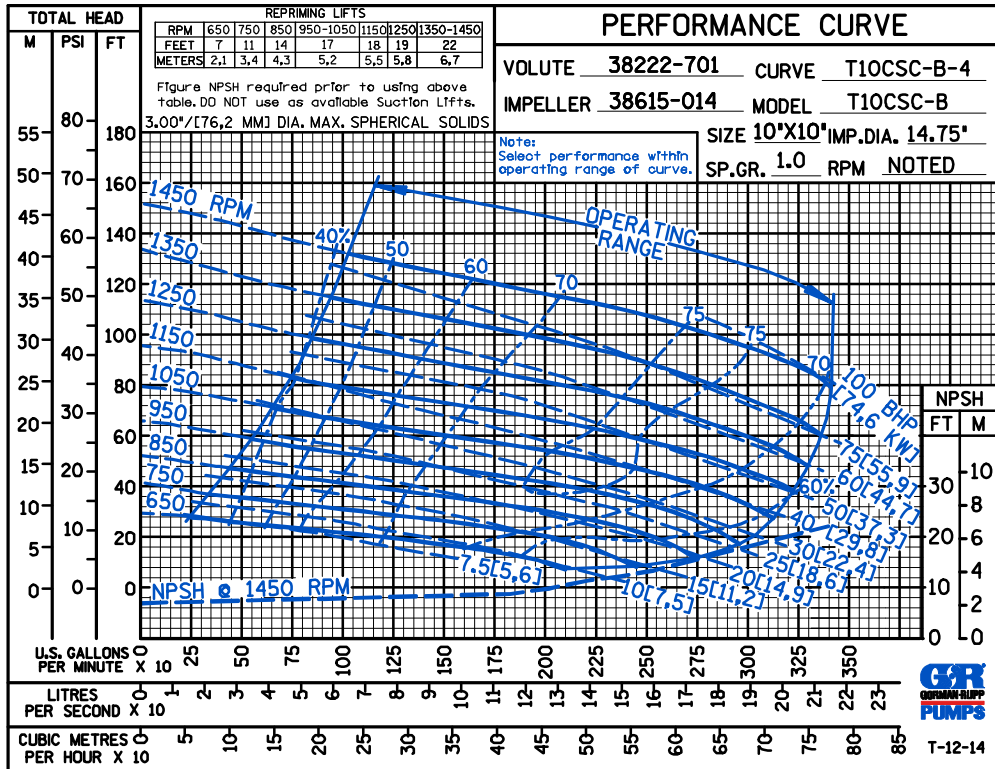
SECTION 55, PAGE 2470

**APPROXIMATE DIMENSIONS and WEIGHTS**

**NET WEIGHT: 1465 LBS. (665 KG.)\***  
**SHIPPING WEIGHT: 1615 LBS. (733 KG.)\***  
**EXPORT CRATE: 70.3 CU. FT. (2 CU. M.)**  
**\*ADD 71 LBS. (32,2 KG.) W/DISCH SPOOL FLANGE**



**OPTIONAL ASA OR DIN STANDARD SUCTION & DISCHARGE SPOOL FLANGES AVAILABLE**



**GORMAN-RUPP PUMPS**

www.grpumps.com

Specifications Subject to Change Without Notice

Printed in U.S.A.