

CDSW

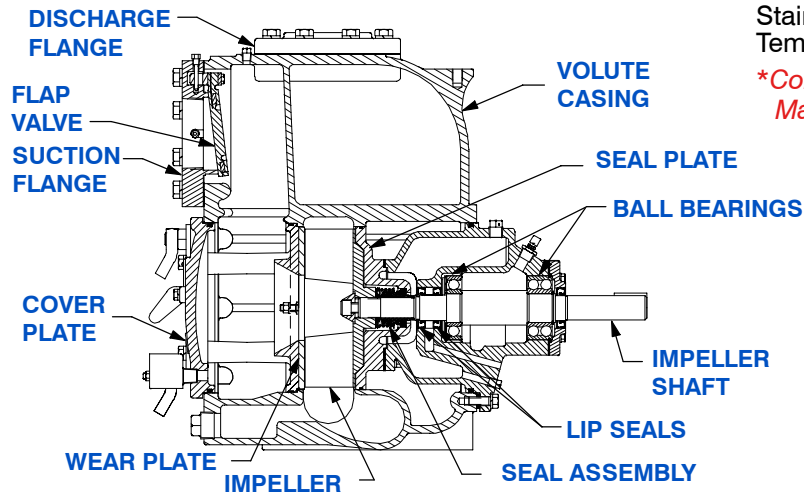
Stainless Steel

# Self Priming Centrifugal Pump

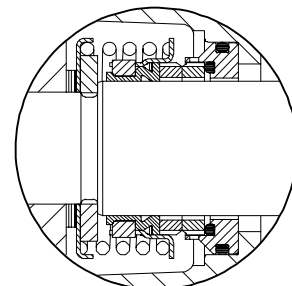
Basic Pump

Model T4A65S-B

Size 4" x 4"

**Super**  
**T SERIES****PUMP SPECIFICATIONS****Size:** 4" x 4" (101 mm x 101 mm) NPT - Female.**Pump Casing:** Stainless Steel CD4MCu. Maximum Operating Pressure 86 psi (593 kPa).\***Open Type, Two Vane Impeller:** Stainless Steel CD4MCu. Handles 3" (76,2 mm) Diameter Spherical Solids.**Impeller Shaft:** Stainless Steel No. 17-4 PH.**Replaceable Wear Plate:** Stainless Steel CD4MCu.**Removable Adjustable Cover Plate:** Stainless Steel CD4MCu; 37 lbs. (17 kg).**Flap Valve:** Fluorocarbon (DuPont Viton® or Equivalent) w/Steel Reinforcing.**Bearing Housing:** Stainless Steel CD4MCu.**Seal Plate:** Stainless Steel CD4MCu.**Radial Bearing:** Open Single Ball.**Thrust Bearing:** Open Double Ball.**Bearing and Seal Cavity Lubrication:** SAE No. 30 Non-Detergent Oil.**Suction Flange:** 125# Stainless Steel CD4MCu.**Discharge Flange:** 125# Stainless Steel No 316.**Gaskets:** Fluorocarbon (DuPont Viton® or Equivalent) and PTFE.**O-Rings:** Fluorocarbon (DuPont Viton® or Equivalent).**Hardware:** Stainless Steel No. 316.**Stainless Steel No. 316 Pressure Relief Valve.****Bearing and Seal Cavity Oil Level Sight Gauges.****Optional Equipment:** Metal Bellows Seal. Automatic Air Release Valve. 120V/240V Casing Heater. High Pump Temperature Shutdown Kit. Stainless Steel CD4MCu Suction and Discharge Spool Flanges;4" ASA (**Specify Model T4A65S-B /F**).100 mm DIN 2527 (**Specify Model T4A65S-B /FM**).**Shown with Optional Suction & Discharge Spool Flanges (Available in ASA or DIN Standard Sizes).****SEAL SPECIFICATIONS**

Mechanical, Oil-Lubricated, Double Floating, Self-Aligning. Silicon Carbide Rotating and Stationary Faces. Stainless Steel No. 316 Stationary Seat. Fluorocarbon Elastomers (DuPont Viton® or Equivalent). Stainless Steel No. 316 Cage and Spring. Maximum Temperature of Liquid Pumped, 160°F (71°C).\*

*\*Consult Factory for Applications Exceeding Maximum Pressure and/or Temperature Indicated.***SEAL DETAIL****THE GORMAN-RUPP COMPANY • MANSFIELD, OHIO**

GORMAN-RUPP OF CANADA LIMITED • ST. THOMAS, ONTARIO, CANADA

www.gormanrupp.com

Specifications Subject to Change Without Notice

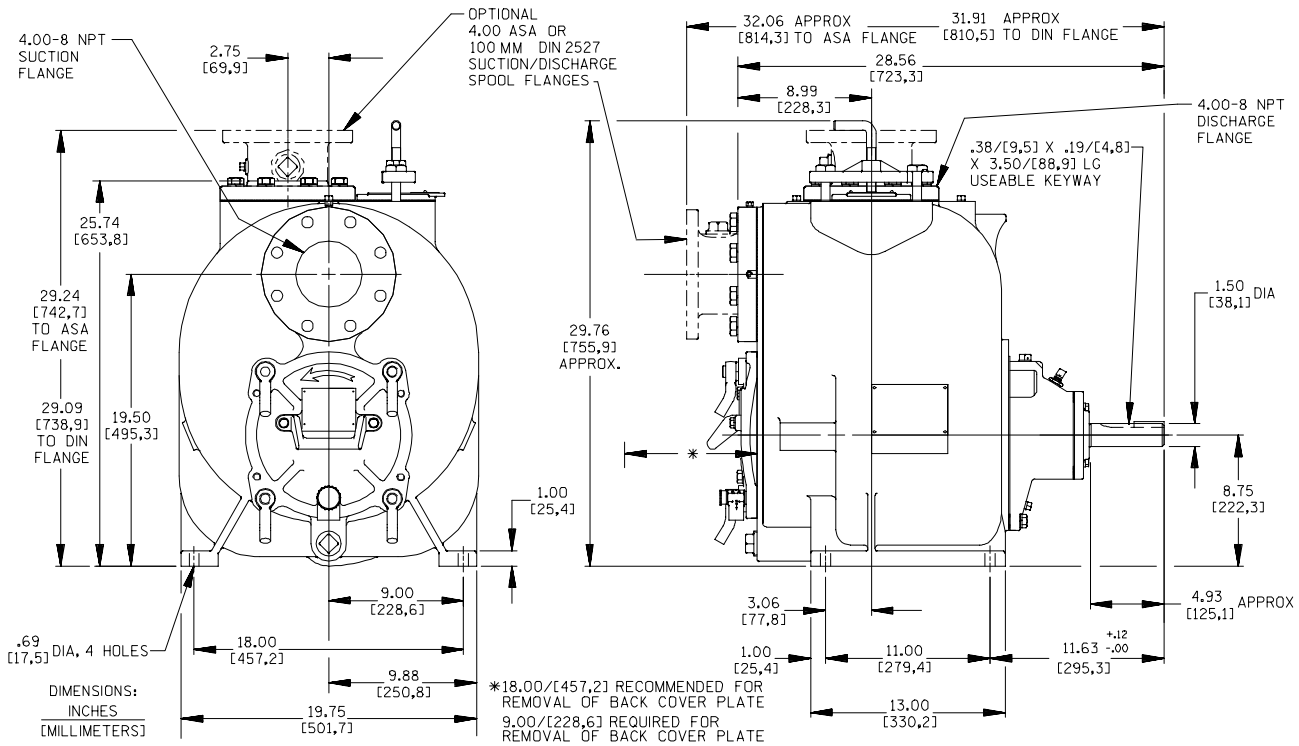
Printed in U.S.A.

**Specification Data**

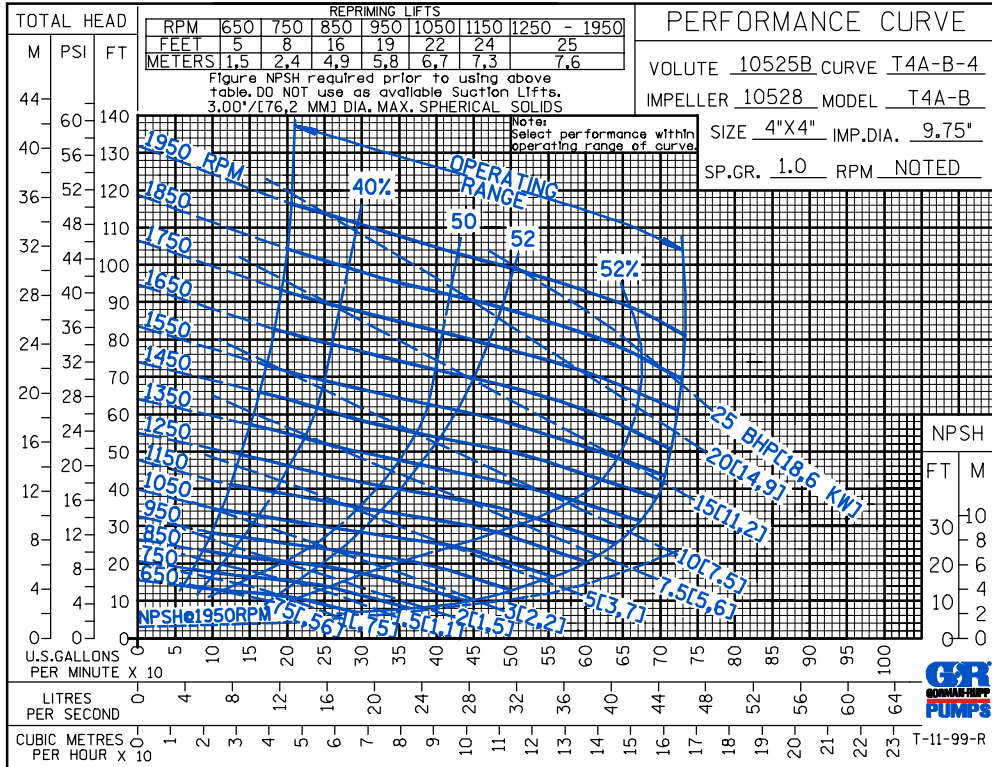
**SECTION 55, PAGE 2130**

**APPROXIMATE DIMENSIONS and WEIGHTS**

**NET WEIGHT: 593 LBS. (269 KG.)\***  
**SHIPPING WEIGHT: 632 LBS. (287 KG.)\***  
**EXPORT CRATE: 22.9 CU. FT. (0,7 CU. M.)**  
**\*ADD 15 LBS. (6,8 KG.) W/EACH SPOOL FLANGE**



**OPTIONAL ASA OR DIN STANDARD SUCTION & DISCHARGE SPOOL FLANGES AVAILABLE**



**THE GORMAN-RUPP COMPANY • MANSFIELD, OHIO**

GORMAN-RUPP OF CANADA LIMITED • ST. THOMAS, ONTARIO, CANADA

Specifications Subject to Change Without Notice

Printed in U.S.A.