

CDSW



Stainless Steel Fitted Self Priming Centrifugal Pump

Basic Pump
Model T6A61S-B
Size 6" x 6"



PUMP SPECIFICATIONS

- Size:** 6" x 6" (152 mm x 152 mm) NPT - Female.
- Pump Casing:** Gray Iron No. 30. Maximum Operating Pressure 79 psi (545 kPa).*
- Open Type, Two Vane Impeller:** Stainless Steel No. 316. Handles 3" (76.2 mm) Diameter Spherical Solids.
- Impeller Shaft:** Stainless Steel No. 17-4 PH.
- Replaceable Wear Plate:** Stainless Steel No. 316.
- Removable Adjustable Cover Plate:** Gray Iron No. 30; 50 lbs. (23 kg).
- Bearing Housing:** Gray Iron No. 30.
- Seal Plate:** Stainless Steel No. 316.
- Flap Valve:** Neoprene w/Steel Reinforcing.
- Radial Bearing:** Open Single Ball.
- Thrust Bearing:** Open Double Ball.
- Bearing and Seal Cavity Lubrication:** SAE No. 30 Non-Detergent Oil.
- Flanges:** 125# Gray Iron No. 30.
- Gaskets:** Buna-N, Compressed Synthetic Fibers, PTFE, Vegetable Fiber, Cork, and Rubber.
- O-Rings:** Buna-N.
- Internal Wetted Hardware:** Stainless Steel No. 316.
- External Hardware:** Standard Plated Steel.
- Stainless Steel No. 316 Pressure Relief Valve.**
- Bearing and Seal Cavity Oil Level Sight Gauges.**
- Optional Equipment:** Metal Bellows Seal. Automatic Air Release Valve. Stainless Steel CD4MCu Impeller, Seal Plate and Wear Plate. 120V/240V Casing Heater. High Pump Temperature Shutdown Kit. Gray Iron No. 30 Suction and Discharge Spool Flanges;
6" ASA (**Specify Model T6A61S-B /F**),
150 mm DIN 2527 (**Specify Model T6A61S-B /FM**).

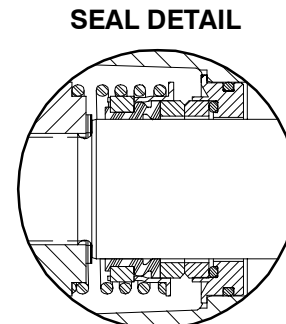
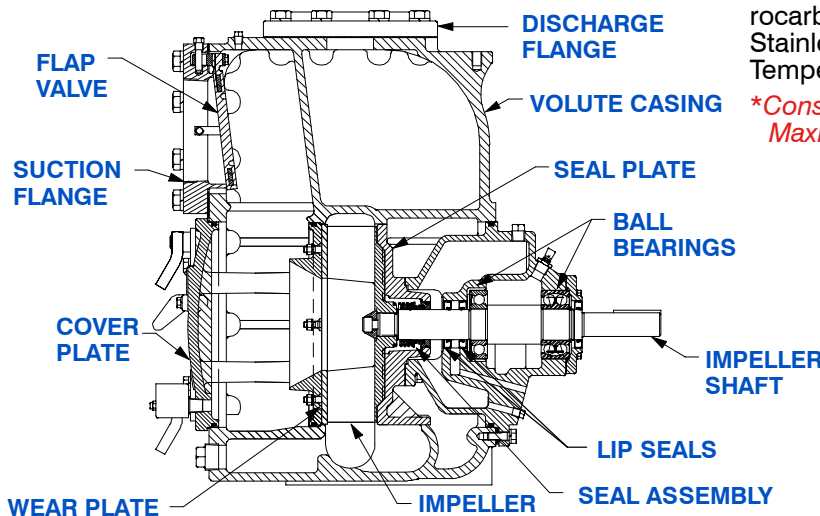


Shown with Optional Suction & Discharge Spool Flanges (Available in ASA or DIN Standard Sizes).

SEAL SPECIFICATIONS

Mechanical, Oil-Lubricated, Double Floating, Self-Aligning. Silicon Carbide Rotating and Stationary Faces. Stainless Steel No. 316 Stationary Seat. Fluorocarbon Elastomers (DuPont Viton® or Equivalent). Stainless Steel No. 18-8 Cage and Spring. Maximum Temperature of Liquid Pumped, 160°F (71°C).*

**Consult Factory for Applications Exceeding Maximum Pressure and/or Temperature Indicated.*



THE GORMAN-RUPP COMPANY • MANSFIELD, OHIO

GORMAN-RUPP OF CANADA LIMITED • ST. THOMAS, ONTARIO, CANADA

www.gormanrupp.com

Specifications Subject to Change Without Notice

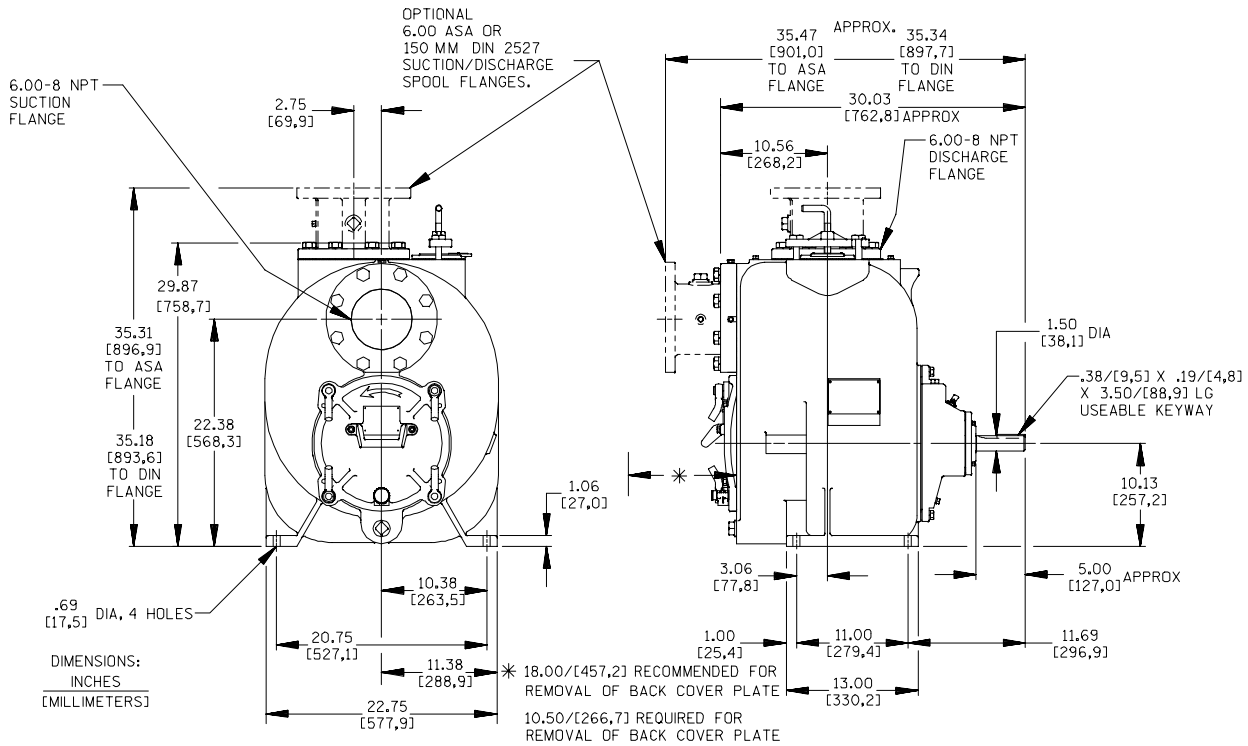
Printed in U.S.A.

Specification Data

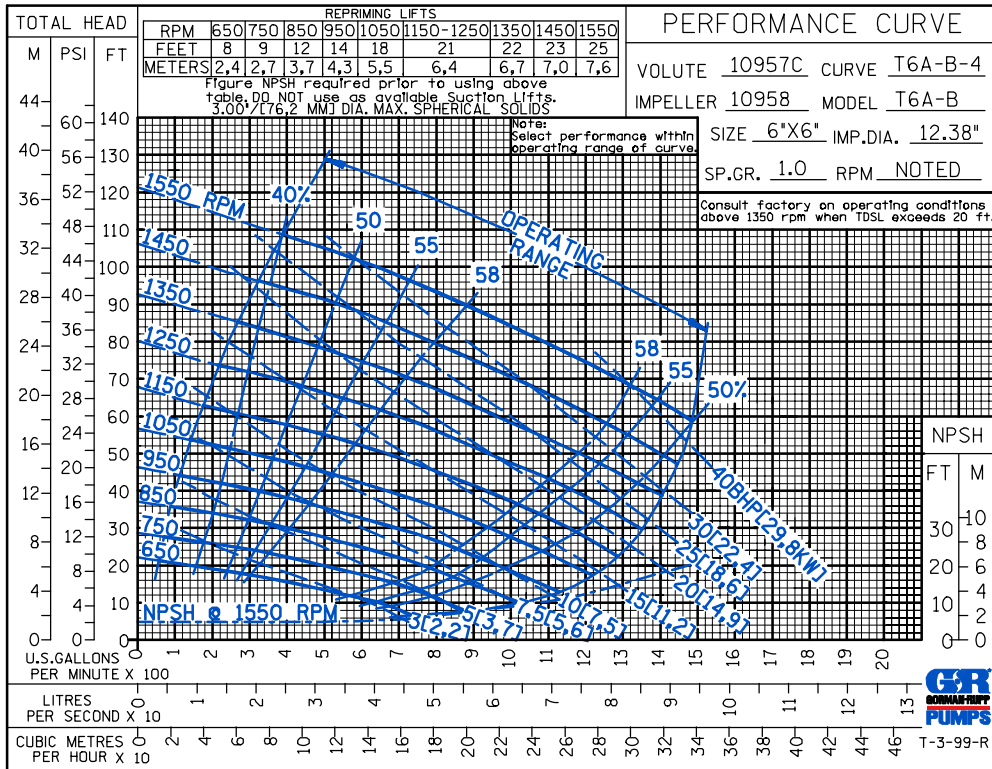
SECTION 55, PAGE 2220

APPROXIMATE DIMENSIONS and WEIGHTS

NET WEIGHT: 802 LBS. (364 KG.)*
SHIPPING WEIGHT: 862 LBS. (391 KG.)*
EXPORT CRATE: 32.5 CU. FT. (0,9 CU. M.)
***ADD 33 LBS. (15 KG.) W/EACH SPOOL FLANGE**



OPTIONAL ASA OR DIN STANDARD SUCTION & DISCHARGE SPOOL FLANGES AVAILABLE



THE GORMAN-RUPP COMPANY • MANSFIELD, OHIO

GORMAN-RUPP OF CANADA LIMITED • ST. THOMAS, ONTARIO, CANADA

Specifications Subject to Change Without Notice

Printed in U.S.A.