



# Stainless Steel Self Priming Centrifugal Pump

Basic Pump  
Model T6A65S-B  
Size 6" x 6"

## PUMP SPECIFICATIONS

**Size:** 6" x 6" (152 mm x 152 mm) NPT - Female.  
**Pump Casing:** Stainless Steel CD4MCu. Maximum Operating Pressure 79 psi (545 kPa).  
**Open Type, Two Vane Impeller:** Stainless Steel CD4MCu. Handles 3" (76,2 mm) Diameter Spherical Solids.  
**Impeller Shaft:** Stainless Steel No. 17-4 PH.  
**Replaceable Wear Plate:** Stainless Steel CD4MCu.  
**Removable Adjustable Cover Plate:** Stainless Steel CD4MCu; 50 lbs. (23 kg).  
**Bearing Housing:** Stainless Steel CD4MCu.  
**Seal Plate:** Stainless Steel CD4MCu.  
**Flap Valve:** Fluorocarbon Elastomers (DuPont Viton® or Equivalent) w/Steel Reinforcing.  
**Radial Bearing:** Open Single Ball.  
**Thrust Bearing:** Open Double Ball.  
**Bearing and Seal Cavity Lubrication:** SAE No. 30 Non-Detergent Oil.  
**Suction Flange:** 125# Stainless Steel CD4MCu.  
**Discharge Flange:** 125# Stainless Steel No. 316.  
**Gaskets:** Fluorocarbon (DuPont Viton® or Equivalent), PTFE, Cork, and Rubber.  
**O-Rings:** Fluorocarbon (DuPont Viton® or Equivalent).  
**Hardware:** Stainless Steel No. 316.  
**Stainless Steel No. 316 Pressure Relief Valve.**  
**Bearing and Seal Cavity Oil Level Sight Gauges.**  
**Optional Equipment:** Metal Bellows Seal. Automatic Air Release Valve. 120V/240V Casing Heater. High Pump Temperature Shutdown Kit. Stainless Steel CD4MCu Suction and Discharge Spool Flanges;  
 6" ASA (**Specify Model T6A65S-B /F**).  
 150 mm DIN 2527 (**Specify Model T6A65S-B /FM**).

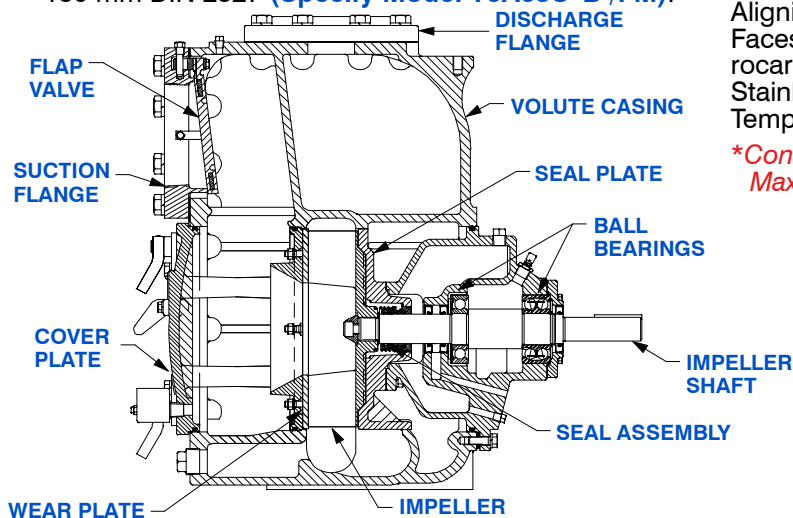


**NOTE:** Shown with Optional Suction & Discharge Spool Flanges (Available in ASA or DIN Standard Sizes).

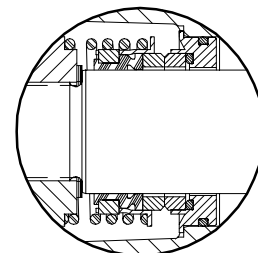
## SEAL SPECIFICATIONS

Mechanical, Oil-Lubricated, Double Floating, Self-Aligning. Silicon Carbide Rotating and Stationary Faces. Stainless Steel No. 316 Stationary Seat. Fluorocarbon Elastomers (DuPont Viton® or Equivalent). Stainless Steel No. 316 Cage and Spring. Maximum Temperature of Liquid Pumped, 160°F (71°C).\*

\*Consult Factory for Applications Exceeding Maximum Pressure and/or Temperature Indicated.



## SEAL DETAIL



THE GORMAN-RUPP COMPANY • MANSFIELD, OHIO

GORMAN-RUPP OF CANADA LIMITED • ST. THOMAS, ONTARIO, CANADA

www.gormanrupp.com

Specifications Subject to Change Without Notice

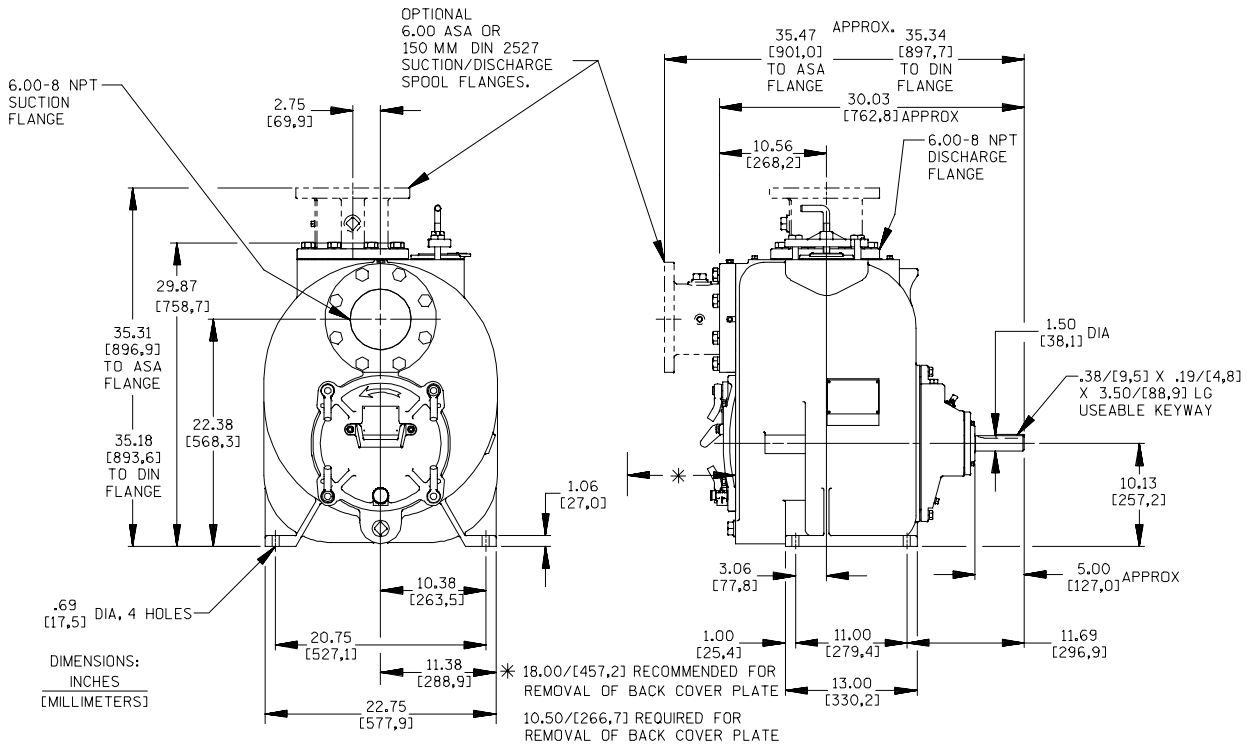
Printed in U.S.A.

**Specification Data**

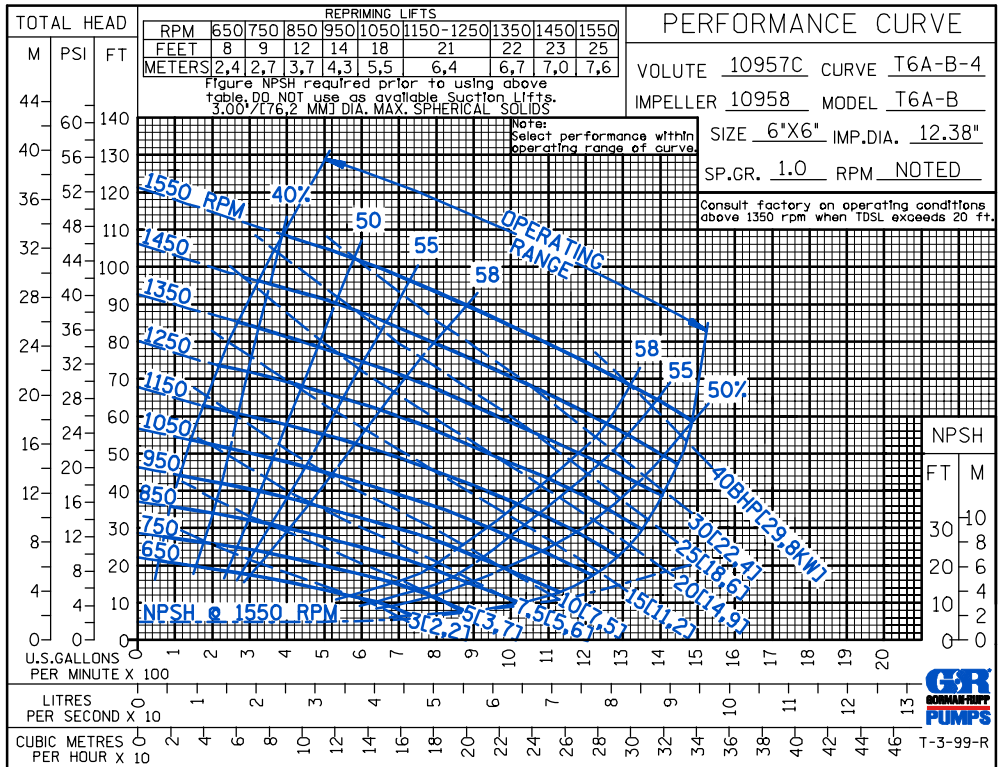
SECTION 55, PAGE 2230

**APPROXIMATE DIMENSIONS and WEIGHTS**

**NET WEIGHT: 859 LBS. (390 KG.)\***  
**SHIPPING WEIGHT: 919 LBS. (417 KG.)\***  
**EXPORT CRATE: 31.1 CU. FT. (0,88 CU. M.)**  
**\*ADD 33 LBS. (15 KG.) W/EACH SPOOL FLANGE**



**NOTE: OPTIONAL ASA OR DIN STANDARD SUCTION & DISCHARGE SPOOL FLANGES AVAILABLE**



**THE GORMAN-RUPP COMPANY • MANSFIELD, OHIO**

GORMAN-RUPP OF CANADA LIMITED • ST. THOMAS, ONTARIO, CANADA

Specifications Subject to Change Without Notice

Printed in U.S.A.