

CDSW

Stainless Steel

# Self Priming Centrifugal Pump

**Super  
T SERIES****Basic Pump  
Model T8A65S-B  
Size 8" x 8"****PUMP SPECIFICATIONS**

**Size:** 8" (203 mm) ASA Flanged Suction x 8" (203 mm) NPT Female Discharge.

**Pump Casing:** Stainless Steel CD4MCu. Maximum Operating Pressure 83 psi (572 kPa).\*

**Open Type, Two Vane Impeller:** Stainless Steel CD4MCu. Handles 3" (76,2 mm) Diameter Spherical Solids.

**Impeller Shaft:** Stainless Steel No. 17-4 PH.

**Replaceable Wear Plate:** Stainless Steel CD4MCu.

**Removable Adjustable Cover Plate:** Stainless Steel CD4MCu; 113 lbs. (51 kg).

**Bearing Housing:** Stainless Steel CD4MCu.

**Seal Plate:** Stainless Steel CD4MCu.

**Flap Valve:** Fluorocarbon (DuPont Viton® or Equivalent) w/Steel Reinforcing.

**Radial/Thrust Bearings:** Open Double Ball.

**Bearing and Seal Cavity Lubrication:** SAE No. 30 Non-Detergent Oil.

**Suction Flange:** 125# Stainless Steel CD4MCu.

**Discharge Flange:** 125# Stainless Steel No. 316.

**Gaskets:** Fluorocarbon (DuPont Viton® or Equivalent) and PTFE.

**O-Rings:** Fluorocarbon (DuPont Viton® or Equivalent).

**Hardware:** Stainless Steel No. 316.

**Stainless Steel No. 316 Pressure Relief Valve.**

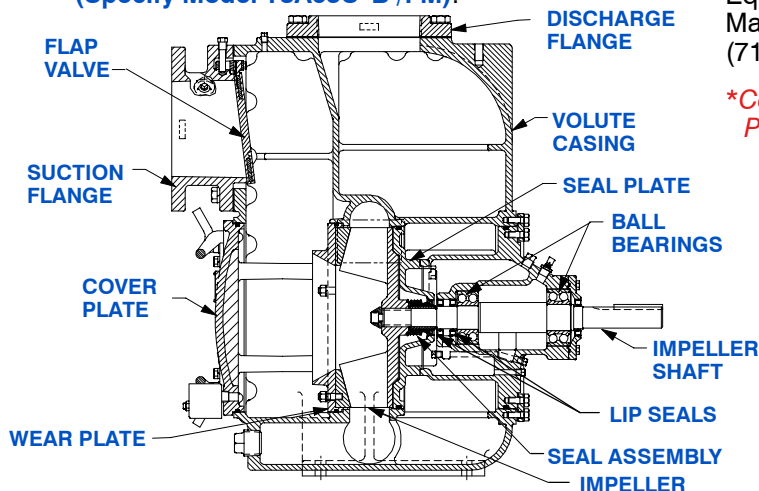
**Bearing and Seal Cavity Oil Level Sight Gauges.**

**Optional Equipment:** Metal Bellows Seal. Automatic Air Release Valve. 120V/240V Casing Heater. High Pump Temperature Shutdown Kit. Stainless Steel CD4MCu Spool Flanges;

8" ASA Discharge (**Specify Model T8A65S-B /F**).

200 mm DIN 2527 Suction and Discharge

(**Specify Model T8A65S-B /FM**).

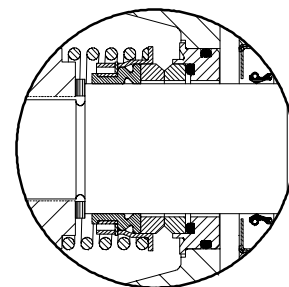


**NOTE:** Shown with Optional Discharge Spool Flange (Available in ASA or DIN Standard Sizes).

**SEAL SPECIFICATIONS**

Mechanical, Oil-Lubricated, Double Floating, Self-Aligning. Silicon Carbide Rotating and Stationary Faces. Stainless Steel No. 316 Stationary Seat. Fluorocarbon Elastomers (DuPont Viton® or Equivalent). Stainless Steel No. 18-8 Cage and Spring. Maximum Temperature of Liquid Pumped, 160°F (71°C).\*

*\*Consult Factory for Applications Exceeding Maximum Pressure and/or Temperature Indicated.*

**SEAL DETAIL****THE GORMAN-RUPP COMPANY • MANSFIELD, OHIO**

GORMAN-RUPP OF CANADA LIMITED • ST. THOMAS, ONTARIO, CANADA

www.gormanrupp.com

Specifications Subject to Change Without Notice

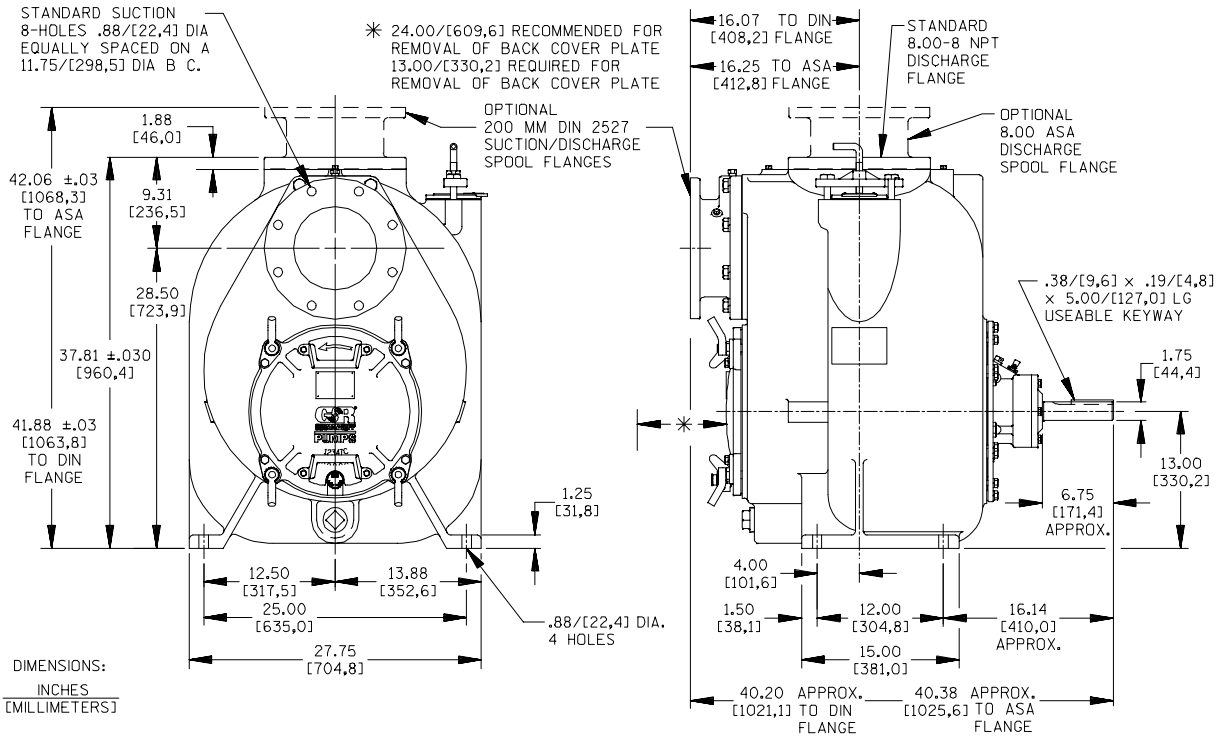
Printed in U.S.A.

**Specification Data**

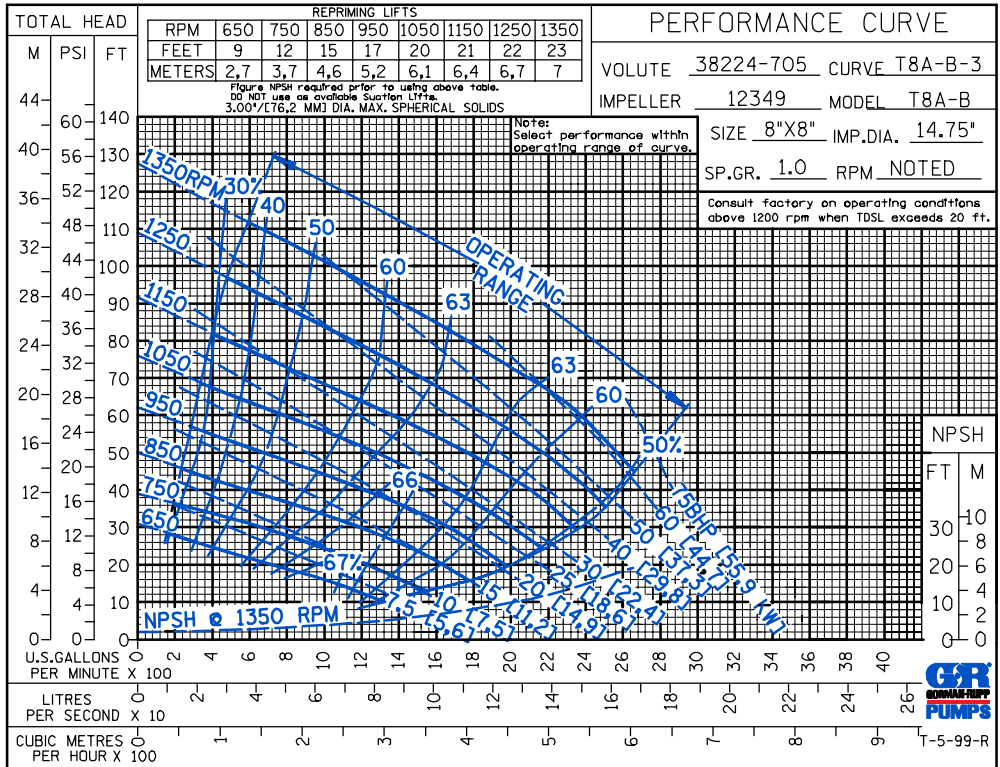
**SECTION 55, PAGE 2330**

**APPROXIMATE DIMENSIONS and WEIGHTS**

**NET WEIGHT: 1360 LBS. (617 KG.)**  
**SHIPPING WEIGHT: 1507 LBS. (684 KG.)**  
**EXPORT CRATE: 47.9 CU. FT. (1,36 CU. M.)**  
**\*ADD 48 LBS. (21,8 KG.) W/DISCH SPOOL FLANGE**



**NOTE: OPTIONAL ASA OR DIN STANDARD SPOOL FLANGES AVAILABLE**



**THE GORMAN-RUPP COMPANY • MANSFIELD, OHIO**

GORMAN-RUPP OF CANADA LIMITED • ST. THOMAS, ONTARIO, CANADA

Specifications Subject to Change Without Notice

Printed in U.S.A.