

*Super*  
**TSERIES**

VARIOUS PATENTS APPLY

Equipped With  
**ERADICATOR**  
Solids Management System

# Self Priming Centrifugal Pump

## Model T8C71SC-B

Size 8" x 8"

**PUMP SPECIFICATIONS**

**Size:** 8" (203 mm) ASA Flanged Suction x 8" (203 mm) NPT Female Discharge.

**Casing:** Gray Iron 30.

Maximum Operating Pressure 77 psi (531 kPa).\*

**Semi-Open Type, Two Vane Impeller:** G-R Hard Iron.

Handles 3" (76,2 mm) Diameter Spherical Solids.

**Impeller Shaft:** Alloy Steel 4150.

**Shaft Sleeve:** Alloy Steel 4130.

**Replaceable Wear Plate:** G-R Hard Iron.

**Replaceable Self-Cleaning Wear Plate Insert:** Carbon Steel ASTM A6.

**Adjustable Back Cover Plate:** Gray Iron 30.

**Removable Inspection Cover Plate:** Gray Iron 30; 20 lbs. (9,1 kg.).

**Flap Valve:** Neoprene w/Nylon and Steel Reinforcing.

**Seal Plate:** G-R Hard Iron.

**Bearing Housing:** Gray Iron 30.

**Radial Bearing:** Open Single Row Ball.

**Thrust Bearing:** Open Double Row Ball.

**Bearing and Seal Cavity Lubrication:** SAE 30 Non-Detergent Oil.

**Flanges:** Gray Iron 30.

**Gaskets:** Buna-N, Compressed Synthetic Fibers, PTFE, Cork and Rubber.

**O-Rings:** Buna-N.

**Hardware:** Standard Plated Steel.

**Brass Pressure Relief Valve.**

**Bearing and Seal Cavity Oil Level Sight Gauges.**

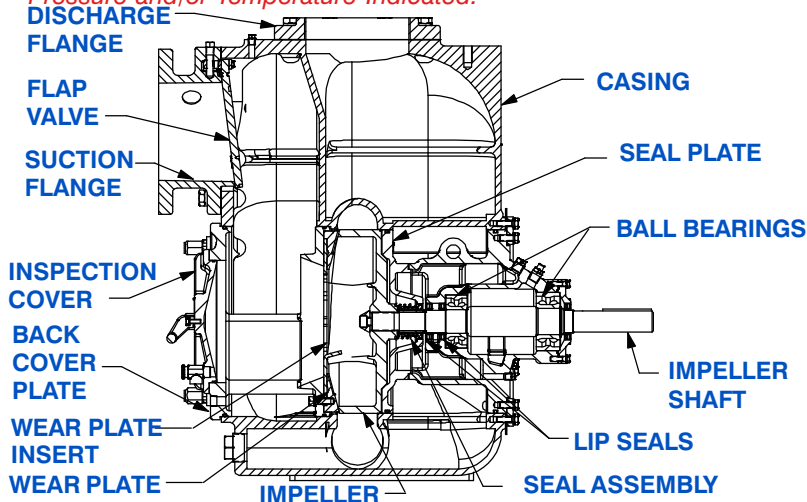
**Optional Equipment:** Tungsten Titanium Carbide Seal. Metal Bellows Seal. Automatic Air Release Valve. 120V/240V Casing Heater. High Pump Temperature Shutdown Kit. Gray Iron 30 Spool Flanges:

8" ASA Discharge (**Specify Model T8C71SC-B /F**).

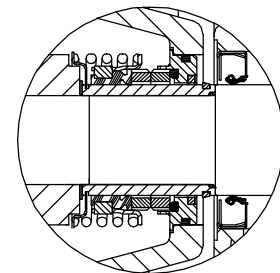
200 mm DIN 2527 (PN 16) Suction and Discharge

(**Specify Model T8C71SC-B /FM**).

\*Consult Factory for Applications Exceeding Maximum Pressure and/or Temperature Indicated.



Shown with Optional Suction and Discharge Spool Flanges (Available in ASA or DIN Standard Sizes).

**SEAL DETAIL**

Cartridge Type, Mechanical, Oil-Lubricated, Double Floating, Self-Aligning. Silicon Carbide Rotating and Stationary Faces. Stainless Steel 316 Stationary Seat. Fluorocarbon Elastomers (DuPont Viton® or Equivalent). Stainless Steel 18-8 Cage and Spring. Maximum Temperature of Liquid Pumped, 160°F (71°C).\*

**GR**  
GORMAN-RUPP  
PUMPS

GORMAN-RUPP PUMPS

www.grpumps.com

Specifications Subject to Change Without Notice

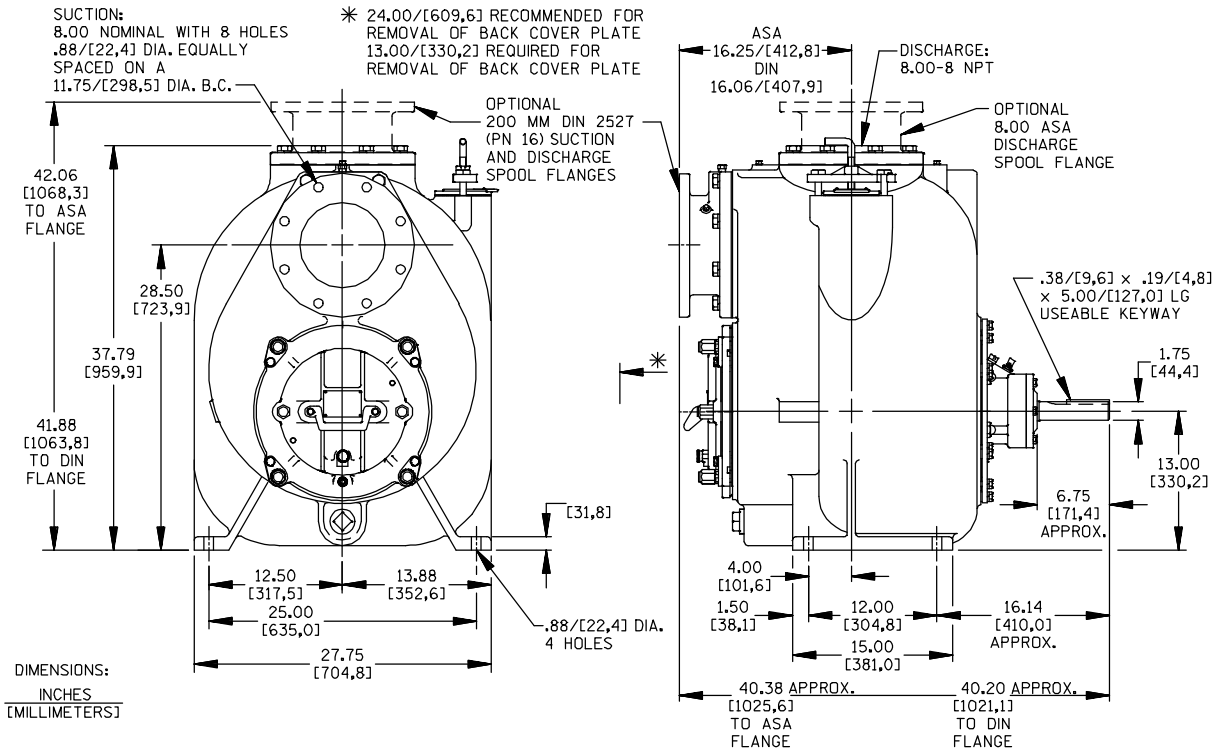
Printed in U.S.A.

**Specification Data**

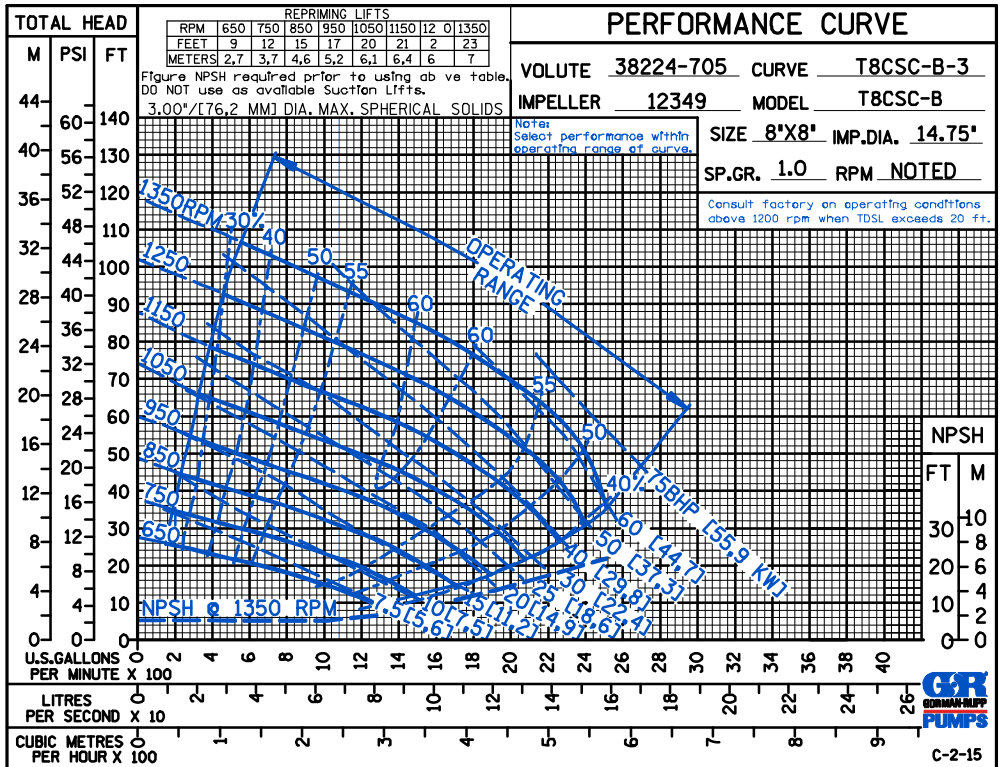
SECTION 55, PAGE 2375

**APPROXIMATE DIMENSIONS and WEIGHTS**

**NET WEIGHT: LBS. (KG.)\***  
**SHIPPING WEIGHT: LBS. (KG.)\***  
**EXPORT CRATE: 47.9 CU. FT. (1,36 CU. M.)**  
**\*ADD 35 LBS. (15,9 KG.) W/EACH SPOOL FLANGE**



**OPTIONAL ASA OR DIN STANDARD SUCTION & DISCHARGE SPOOL FLANGES AVAILABLE**



**GORMAN-RUPP PUMPS**

www.grpumps.com

Specifications Subject to Change Without Notice

Printed in U.S.A.