

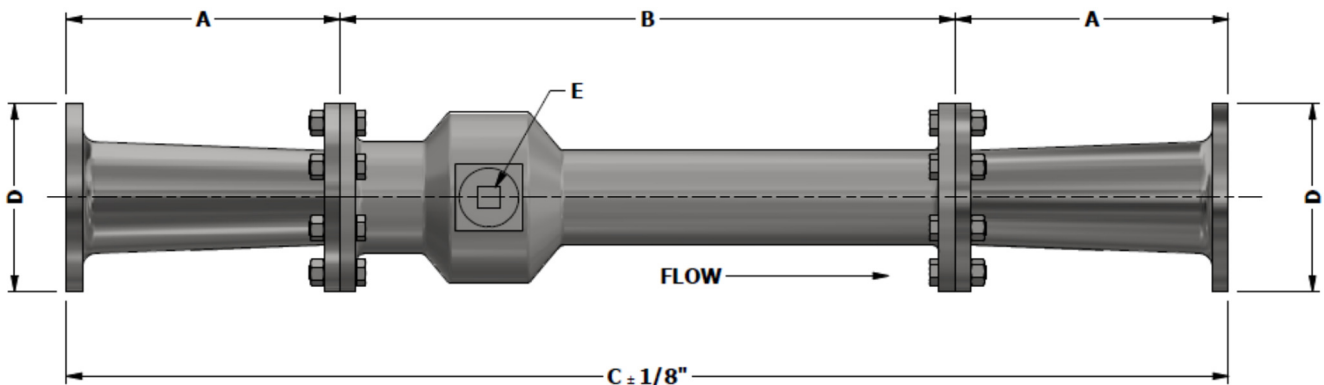
Venturi Aeration Performance Data

Model VA-190/350

MODEL NO.	SIZE	HYDRAULIC REQUIREMENTS AT INLET		Power Requirements (SEE NOTE #2)	
		Flow (L/S)	Required Pressure (see Note #1)	REQUIRED Power [kW]	MOTOR SIZE [kW]
VA-190/350	3" (80mm)	12-22	185kPa	3.2-6.4	4-7.5

NOTE:

- #1. This figure [185 kPa] is the pressure required at the inlet of the Venturi to produce the best aspiration of air. Lower or higher pressure may be required where applicable.
- #2. Required power is based on minimum suction lift [<2.0m dynamic], using Gorman-Rupp 80 Series, Super U Series or Ultra V Series pumps. Flooded suction pumps would require less power.



MODEL NO.	SIZE	A (mm)	B (mm)	C (mm)	D (mm)
VA-190/350	3" (100mm)	229	457	9.4 ± 3mm	191

E – Air inlet port, threaded to accept a 38mm NPT pipe. An NPT/BSP conversion nipple can be supplied.

- Units are cast from Aluminum Magnesium alloy, AlMag 535.
- They are finished in a Powder Coat Poly in RAL 5005 Medium Royal Blue
- The nozzle is manufactured from a high-density polyurethane, HAPCO or equivalent.
- The venturi-aerator must be protected, insulated or isolated from contact with dissimilar metals, i.e., support brackets or non-aluminum piping.