

A C D E

# Self Priming Centrifugal Pump

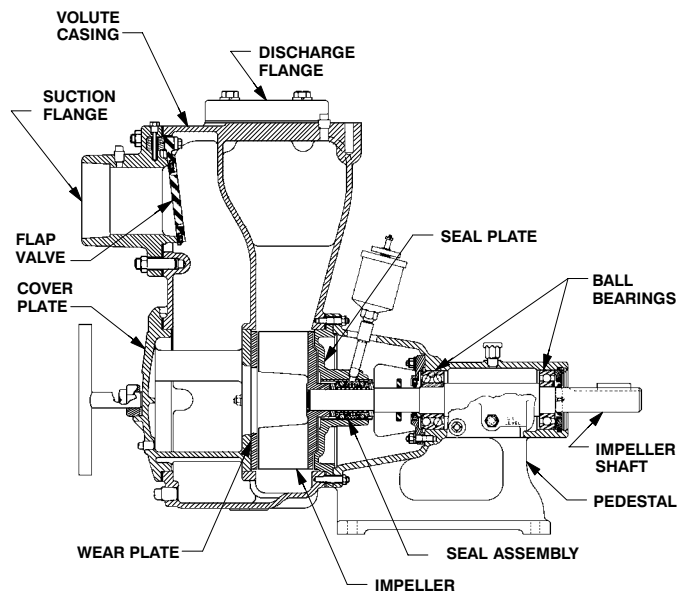
Basic Pedestal

Models 14C2-B and 14C20-B

Size 4" x 4"

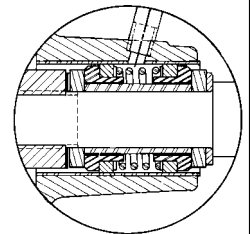


## PUMP SPECIFICATIONS

**Size:** 4" x 4" NPT (102 mm x 102 mm) - Female.**Casing:** Gray Iron No. 30. Maximum Operating Pressure 63 psi (4,4 kg/cm<sup>2</sup>).\***Open Type, Two Vane Impeller:** Ductile Iron No. 65-45-12. Handles 3" (76,2 mm) Diameter Spherical Solids.**Impeller Shaft:** Steel No. 1045.**Replaceable Wear Plate:** Steel No. 1018.**Removable Cover Plate:** Gray Iron No. 30; 22 lbs. (10 kg).**Pedestal:** Gray Iron No. 30.**Seal Plate:** Gray Iron No. 30.**Flap Valve:** Neoprene with Steel Reinforcing.**Seal Liner: (14C2-B)** Brass No. 70-30.**Shaft Sleeve: (14C20-B)** Alloy Steel No. 4130.**Radial Bearing:** Open Single Ball.**Thrust Bearing:** Open Double Ball.**Bearing Lubrication:** Oil.**Flanges:** Gray Iron No. 30.**Gaskets:** Vegetable Fiber, Compressed Synthetic Fibers, Rubber, and PTFE.**Hardware:** Standard Plated Steel.**Strainer.****Optional Equipment:** Consult Factory.

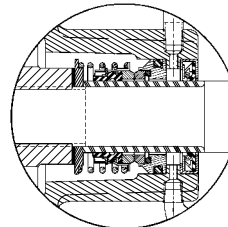
### 14C2-B SEAL DETAIL

Double, Grease-Lubricated with Spring Loaded Grease Cup. Sintered Bronze Stationary Seal Seats. Steel Rotating Faces. Maximum Temperature of Liquid Pumped, 110°F (43°C)\* Maximum Suction Pressure 10 PSI (0,7 kg/cm<sup>2</sup>).



### 14C20-B SEAL DETAIL

Mechanical, Oil-Lubricated, Double Floating, Self-Aligning. Tungsten Titanium Carbide Rotating and Stationary Faces. Stainless Steel No. 316 Stationary Seat. Fluorocarbon Elastomers (DuPont Viton® or Equivalent). Stainless Steel No. 18-8 Cage and Spring. Maximum Temperature of Liquid Pumped, 160°F (71°C)\*.



\*Consult Factory for Applications Exceeding Maximum Pressure and/or Temperature Indicated.



THE GORMAN-RUPP COMPANY • MANSFIELD, OHIO

GORMAN-RUPP OF CANADA LIMITED • ST. THOMAS, ONTARIO, CANADA

Specifications Subject to Change Without Notice

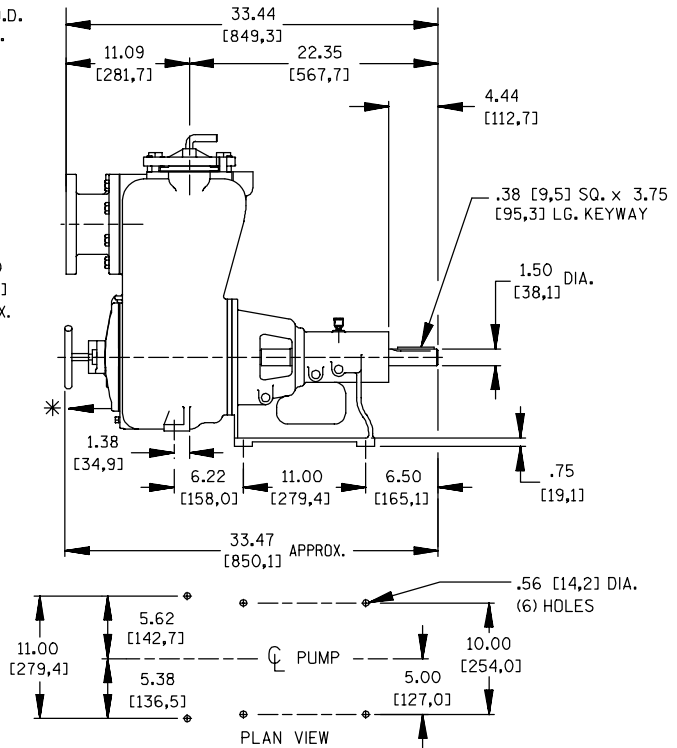
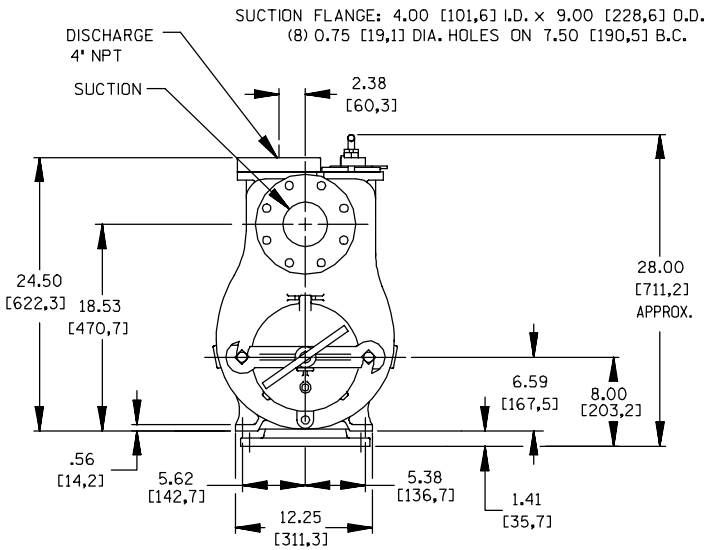
Printed in U.S.A.

**Specification Data**

**SECTION 55, PAGE 700**

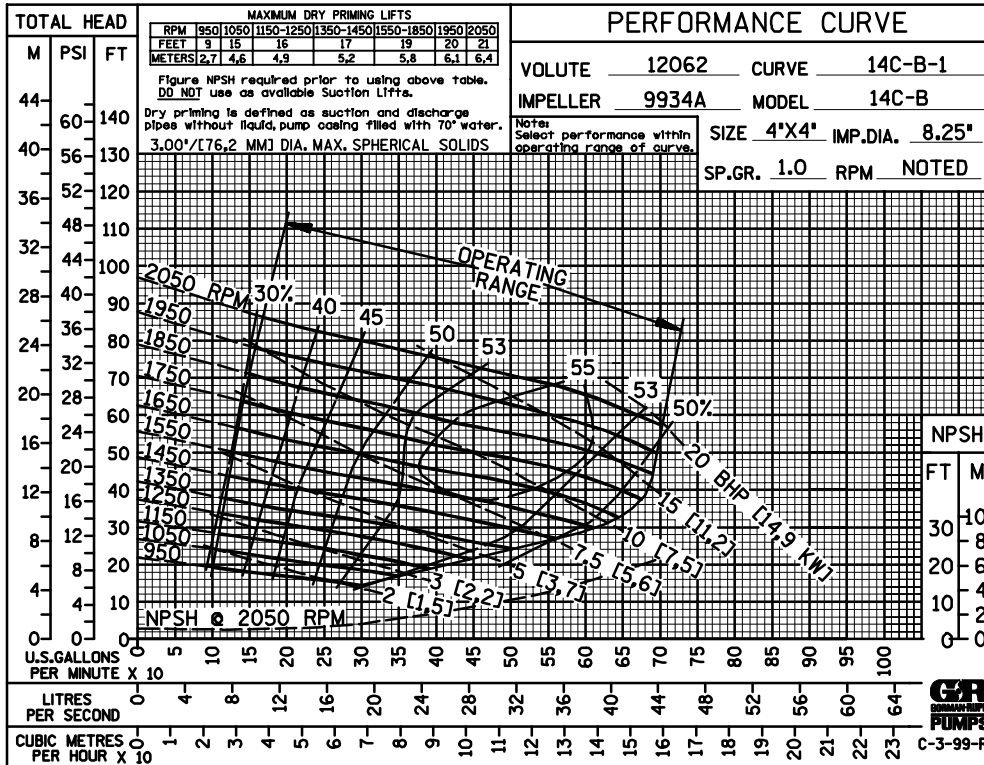
APPROXIMATE  
DIMENSIONS and WEIGHTS

**NET WEIGHT: 365 LBS. (166 KG.)**  
**SHIPPING WEIGHT: 381 LBS. (173 KG.)**  
**EXPORT CRATE SIZE: 12.5 CU. FT. 0,35 CU. M.**



\* 18.00 [457,2] REQ'D FOR REMOVAL OF BACK COVER PLATE

DIMENSIONS:  
INCHES  
(MILLIMETERS)



**THE GORMAN-RUPP COMPANY • MANSFIELD, OHIO**

GORMAN-RUPP OF CANADA LIMITED • ST. THOMAS, ONTARIO, CANADA

Specifications Subject to Change Without Notice

Printed in U.S.A.