

A B C D E



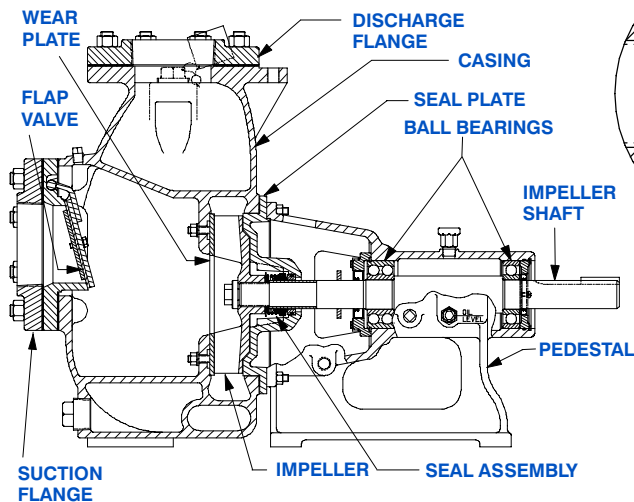
## Basic Pedestal Self Priming Centrifugal Pump Models 84B3-B, 84B31-B and 84B52-B Size 4" x 4"

### PUMP SPECIFICATIONS

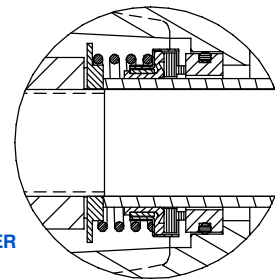
**Size:** 4" x 4" (102 mm x 102 mm) NPT - Female.  
**Casing (Models 84B3-B and 84B52-B):** Gray Iron No. 30.  
**(Model 84B31-B):** Ductile Iron 65-45-12.  
**Maximum Operating Pressure** 74 psi (510 kPa)\*.  
**Semi-Open Type, Four Vane Impeller:** Gray Iron No. 30.  
**Handles** 1 1/4" (31,8 mm) Diameter Spherical Solids.  
**Impeller Shaft:** Carbon Steel No. 1045.  
**Replaceable Wear Plate:** Carbon Steel No. 1026.  
**Pedestal:** Gray Iron No. 30.  
**Seal Plate (Models 84B3-B and 84B52-B):** Gray Iron No. 30.  
**(Model 84B31-B):** Ductile Iron 65-45-12.  
**Shaft Sleeve:** Alloy Steel No. 4130.  
**Flap Valve:** Buna-N and Carbon Steel.  
**Radial Bearing:** Open Single Row Ball.  
**Thrust Bearing:** Open Double Row Ball.  
**Bearing Lubrication:** SAE No. 30 Non-Detergent Oil.  
**Flanges:** Gray Iron No. 30.  
**Gaskets:** Cork.  
**O-Ring:** Buna-N.  
**Hardware:** Standard Plated Steel.  
**Optional Equipment:** Strainer. 120V/240V Casing Heater.  
**Gray Iron No. 30 Suction and Discharge Spool Flanges:**  
 4" ASA and 100 mm DIN 2527 (PN 16).



*\*Consult Factory for Applications Exceeding Maximum Pressure and/or Temperature Indicated.*

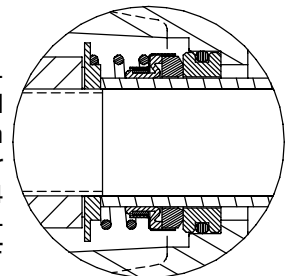


84B52-B SHOWN



**84B3-B and 84B31-B SEAL DETAIL:**  
 Type 21, Mechanical, Self-Lubricated. Carbon Rotating Face. Ni-Resist Stationary Face. Fluorocarbon Elastomers (DuPont Viton® or Equivalent). Stainless Steel No.18-8 Cage and Spring. Maximum Temperature of Liquid Pumped, 160°F (71°C).\*

**84B52-B SEAL DETAIL:**  
 Type 31, Mechanical, Self-Lubricated. Silicon Carbide Rotating and Stationary Faces. Fluorocarbon Elastomers (DuPont Viton® or Equivalent). Stainless Steel No. 304 Cage and Spring. Maximum Temperature of Liquid Pumped, 160°F (71°C).\*



THE GORMAN-RUPP COMPANY • MANSFIELD, OHIO

GORMAN-RUPP OF CANADA LIMITED • ST. THOMAS, ONTARIO, CANADA

www.grpumps.com

Specifications Subject to Change Without Notice

Printed in U.S.A.

**Specification Data**

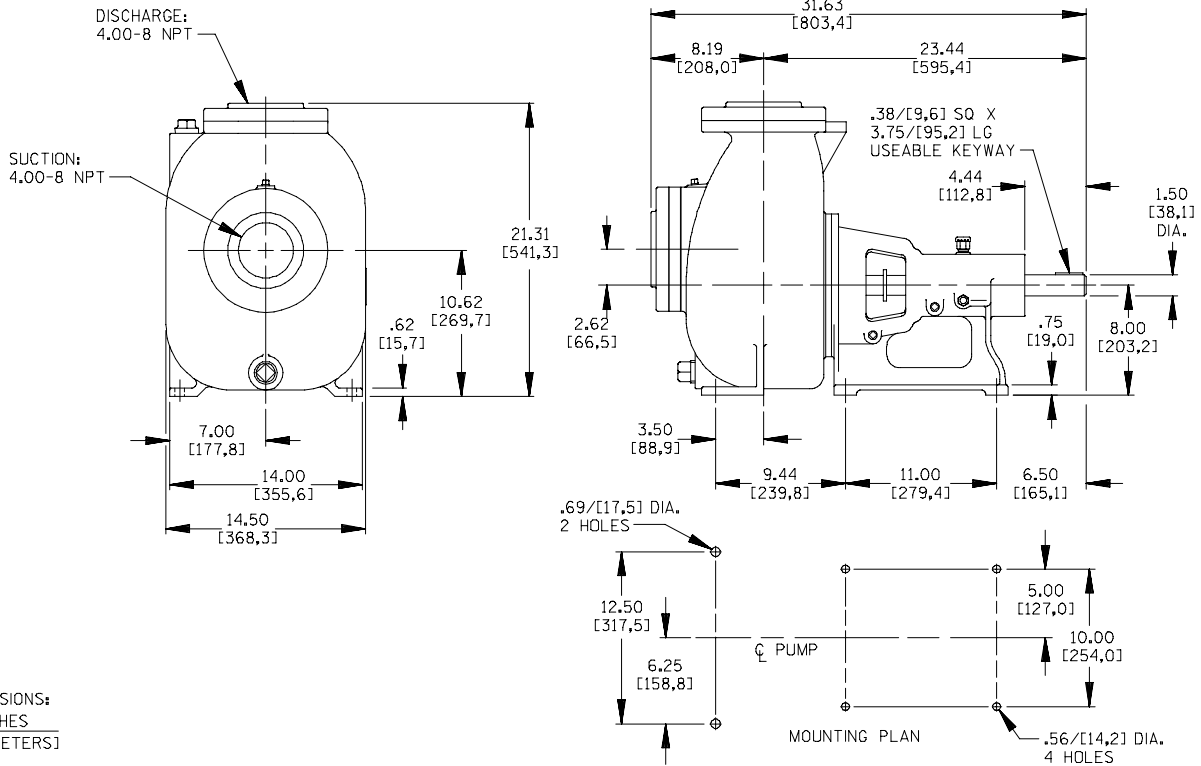
SECTION 50, PAGE 1701

APPROXIMATE  
DIMENSIONS and WEIGHTS

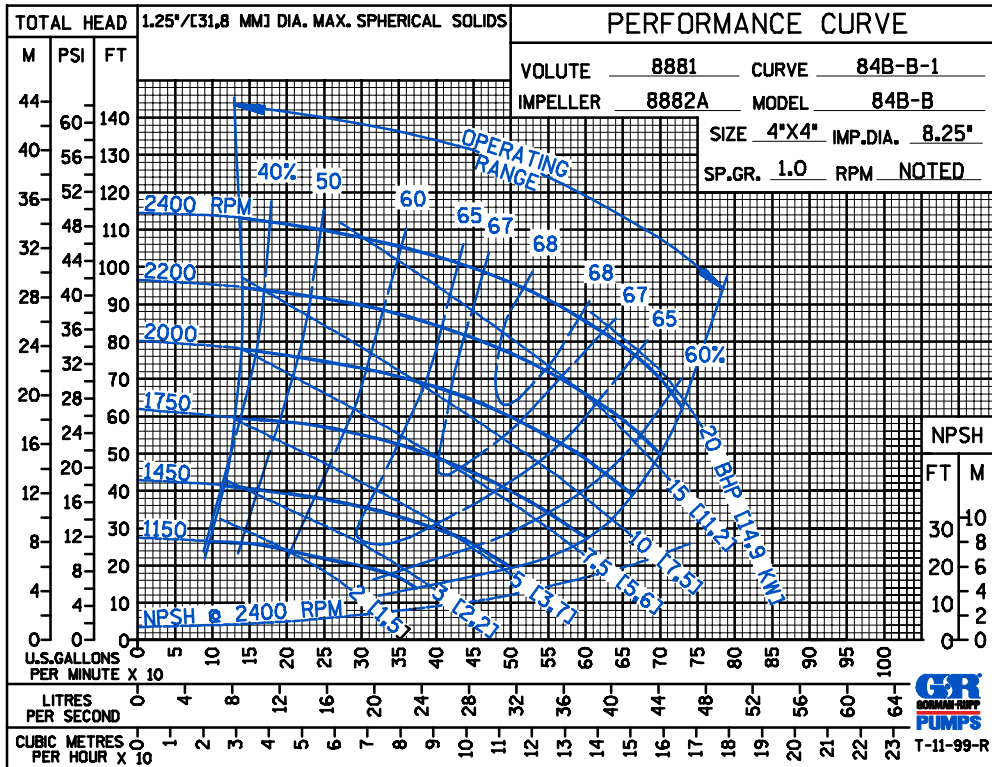
**NET WEIGHT:** 325 LBS. (147 KGS.)

**SHIPPING WEIGHT:** 341 LBS. (155 KGS.)

**EXPORT CRATE:** 18 CU. FT. (0,5 CU. M.)



DIMENSIONS:  
INCHES  
[MILLIMETERS]



THE GORMAN-RUPP COMPANY • MANSFIELD, OHIO

GORMAN-RUPP OF CANADA LIMITED • ST. THOMAS, ONTARIO, CANADA

Specifications Subject to Change Without Notice

Printed in U.S.A.