

A B C D E

## Basic Pedestal

## Self Priming Centrifugal Pump

Models 88A3-B and 88A52-B

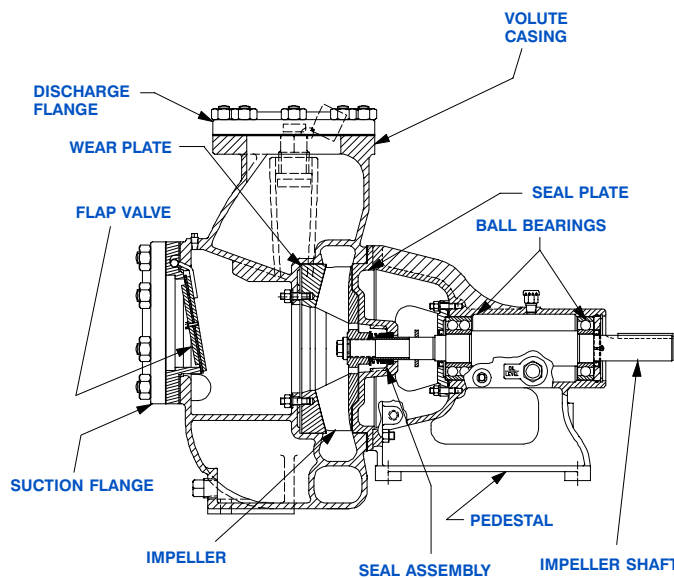
Size 8" x 8"



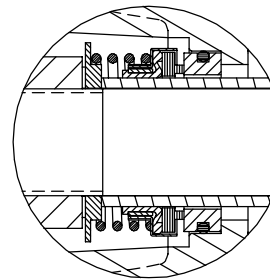
## PUMP SPECIFICATIONS

**Size:** 8" x 8" (203 mm x 203 mm) NPT - Female.  
**Casing:** Gray Iron No. 30.  
 Maximum Operating Pressure 79 psi (545 kPa)\*.  
**Semi-Open Type, Four Vane Impeller:** Gray Iron No. 30.  
 Handles 2" (50,8 mm) Diameter Spherical Solids.  
**Impeller Shaft:** Alloy Steel No. 4150.  
**Replaceable Wear Plate:** Gray Iron No. 30.  
**Pedestal:** Gray Iron No. 30.  
**Seal Plate:** Gray Iron No. 30.  
**Shaft Sleeve:** Alloy Steel No. 4130.  
**Flap Valve:** Buna-N and Steel.  
**Radial Bearings:** Open Single Row Ball.  
**Thrust Bearings:** Open Double Row Ball.  
**Bearing Lubrication:** SAE No. 30 Non-Detergent Oil.  
**Flanges:** Gray Iron No. 30.  
**Gaskets:** Cork.  
**O-Rings:** Buna-N  
**Hardware:** Standard Plated Steel and Stainless Steel.  
**Oil Level Sight Gauge.**  
**Optional Equipment:** Consult Factory.

*\*Consult Factory for Applications Exceeding Maximum Pressure and/or Temperature Indicated.*



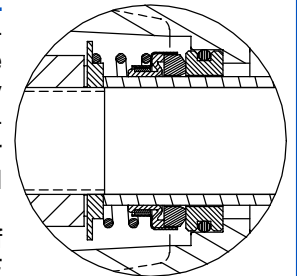
88A52-B SHOWN



**88A3-B SEAL DETAIL** Type 21, Mechanical, Self-Lubricated. Carbon Rotating Face. Ni-Resist Stationary Face. Fluorocarbon Elastomers (DuPont Viton® or Equivalent). Stainless Steel No. 18-8 Cage and Spring. Maximum Temperature of Liquid Pumped, 160°F (71°C).\*

**88A52-B SEAL DETAIL**

Type 31, Mechanical, Self-Lubricated. Silicon Carbide Rotating and Stationary Faces. Fluorocarbon Elastomers (DuPont Viton® or Equivalent). Stainless Steel No. 18-8 Cage and Spring. Maximum Temperature of Liquid Pumped 160°F (71°C).\*



THE GORMAN-RUPP COMPANY • MANSFIELD, OHIO

GORMAN-RUPP OF CANADA LIMITED • ST. THOMAS, ONTARIO, CANADA

www.grpumps.com

Specifications Subject to Change Without Notice

Printed in U.S.A.

**Specification Data**

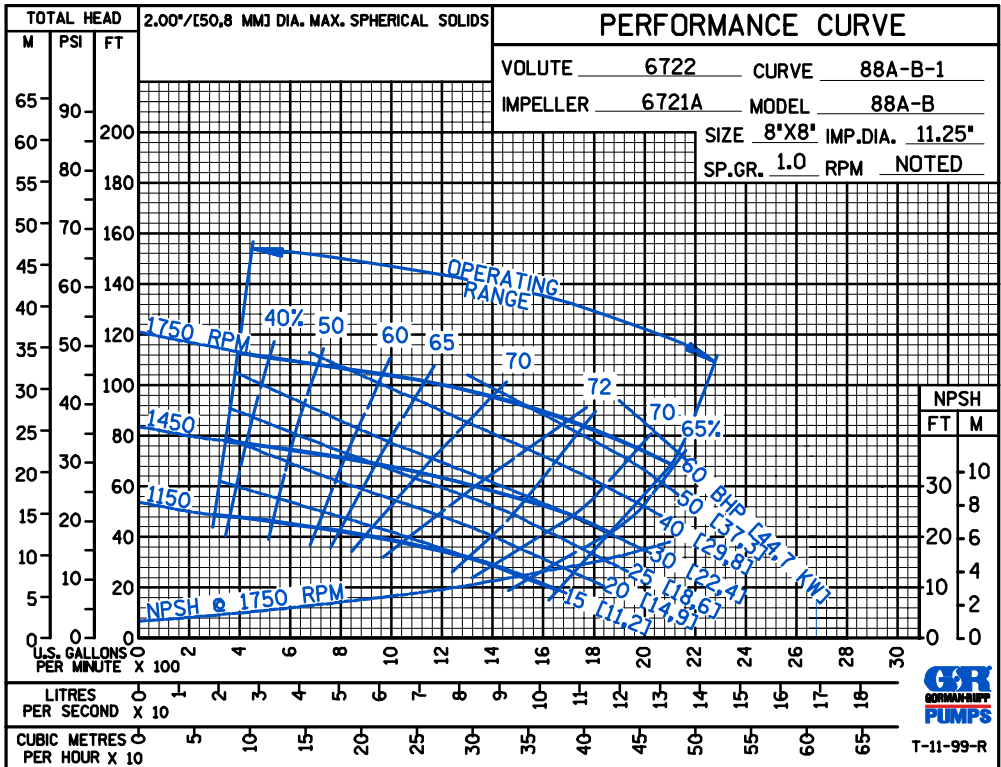
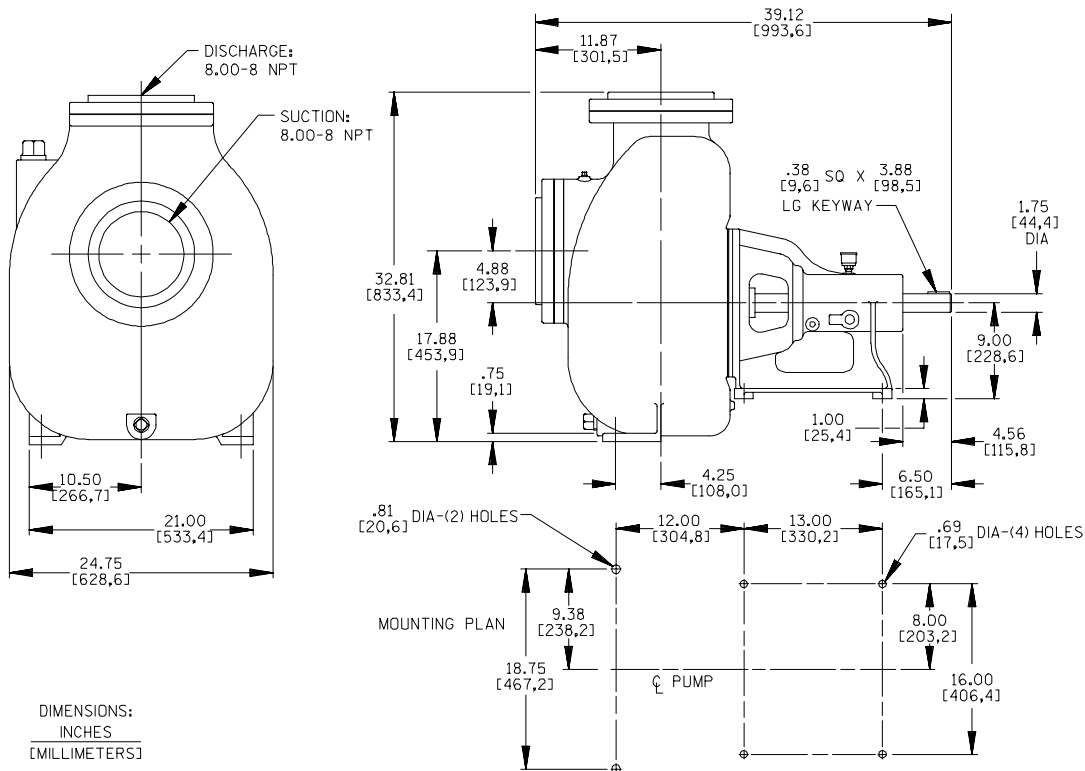
SECTION 50, PAGE 2101

APPROXIMATE  
DIMENSIONS and WEIGHTS

**NET WEIGHT: 880 LBS. (399 KGS.)**

**SHIPPING WEIGHT: 805 LBS. (365 KGS.)**

**EXPORT CRATE: 26.7 CU. FT. (0,75 CU. M.)**



THE GORMAN-RUPP COMPANY • MANSFIELD, OHIO

GORMAN-RUPP OF CANADA LIMITED • ST. THOMAS, ONTARIO, CANADA

Specifications Subject to Change Without Notice

Printed in U.S.A.