

A B C D E

Basic Pedestal

Self Priming Centrifugal Pump

Models 88B3-B and 88B52-B

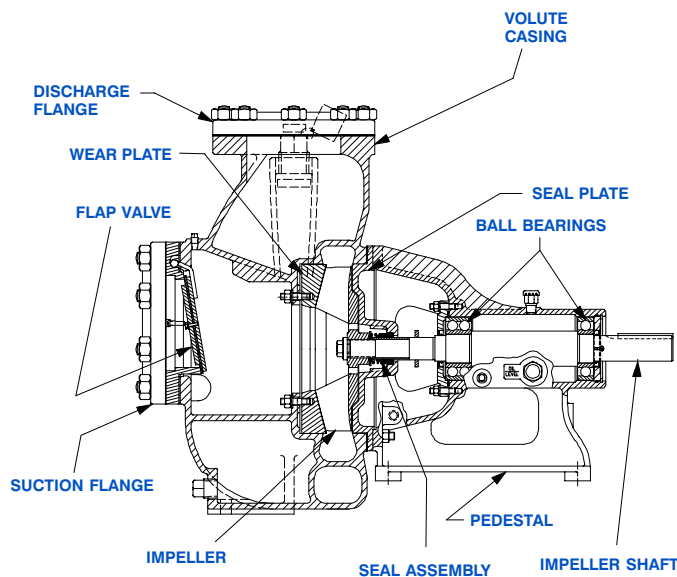
Size 8" x 8"



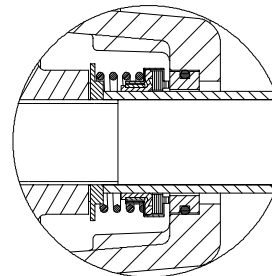
PUMP SPECIFICATIONS

Size: 8" x 8" (203 mm x 203 mm) NPT - Female.
Casing: Gray Iron No. 30.
 Maximum Operating Pressure 75 psi (517 kPa)*.
Semi-Open Type, Three Vane Impeller: Gray Iron No. 30.
 Handles 2 3/8" (60,4 mm) Diameter Spherical Solids.
Impeller Shaft: Alloy Steel No. 4150.
Replaceable Wear Plate: Gray Iron No. 30.
Pedestal: Gray Iron No. 30.
Seal Plate: Gray Iron No. 30.
Shaft Sleeve: Alloy Steel No. 4130.
Flap Valve: Buna-N and Steel.
Radial Bearings: Open Single Row Ball.
Thrust Bearings: Open Double Row Ball.
Bearing Lubrication: SAE No. 30 Non-Detergent Oil.
Flanges: Gray Iron No. 30.
Gaskets: Cork.
O-Rings: Buna-N
Hardware: Standard Plated Steel and Stainless Steel.
Oil Level Sight Gauge.
Optional Equipment: Consult Factory.

**Consult Factory for Applications Exceeding Maximum Pressure and/or Temperature Indicated.*

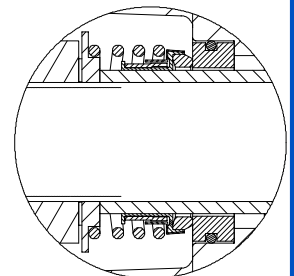


88B52-B SHOWN



88B3-B SEAL DETAIL Type 21, Mechanical, Self-Lubricated. Carbon Rotating Face. Ni-Resist Stationary Face. Fluorocarbon Elastomers (DuPont Viton® or Equivalent). Stainless Steel No. 18-8 Cage and Spring. Maximum Temperature of Liquid Pumped, 160°F (71°C).*

88B52-B SEAL DETAIL Type 31, Mechanical, Self-Lubricated. Silicon Carbide Rotating and Stationary Faces. Fluorocarbon Elastomers (DuPont Viton® or Equivalent). Stainless Steel No. 18-8 Cage and Spring. Maximum Temperature of Liquid Pumped 160°F (71°C).*



THE GORMAN-RUPP COMPANY • MANSFIELD, OHIO

GORMAN-RUPP OF CANADA LIMITED • ST. THOMAS, ONTARIO, CANADA

www.grpumps.com

Specifications Subject to Change Without Notice

Printed in U.S.A.

Specification Data

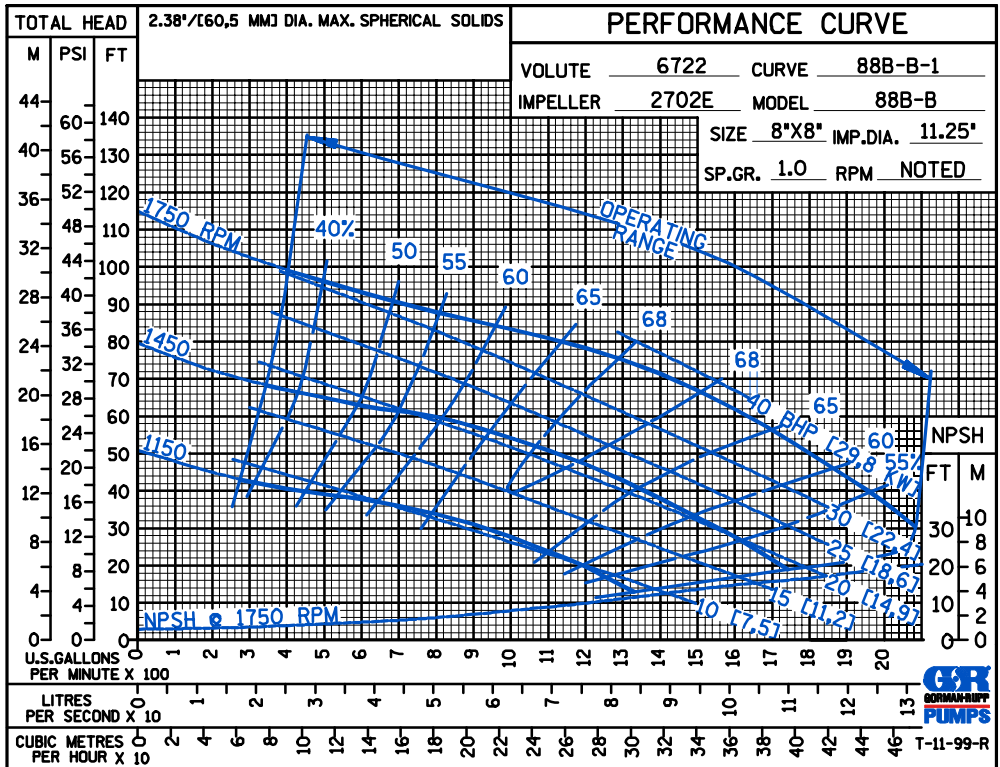
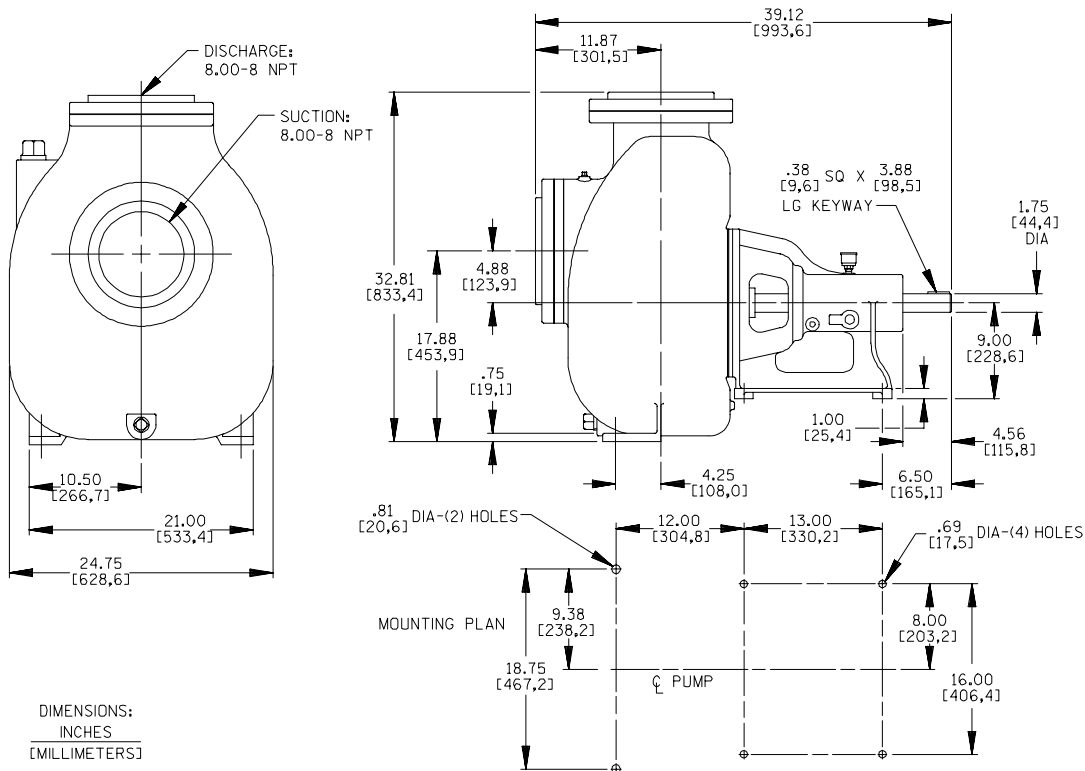
SECTION 50, PAGE 2201

APPROXIMATE
DIMENSIONS and WEIGHTS

NET WEIGHT: 680 LBS. (308 KGS.)

SHIPPING WEIGHT: 805 LBS. ((365 KGS.))

EXPORT CRATE: 26.7 CU. FT. (0,75 CU. M.)



THE GORMAN-RUPP COMPANY • MANSFIELD, OHIO

GORMAN-RUPP OF CANADA LIMITED • ST. THOMAS, ONTARIO, CANADA

Specifications Subject to Change Without Notice

Printed in U.S.A.