

BC

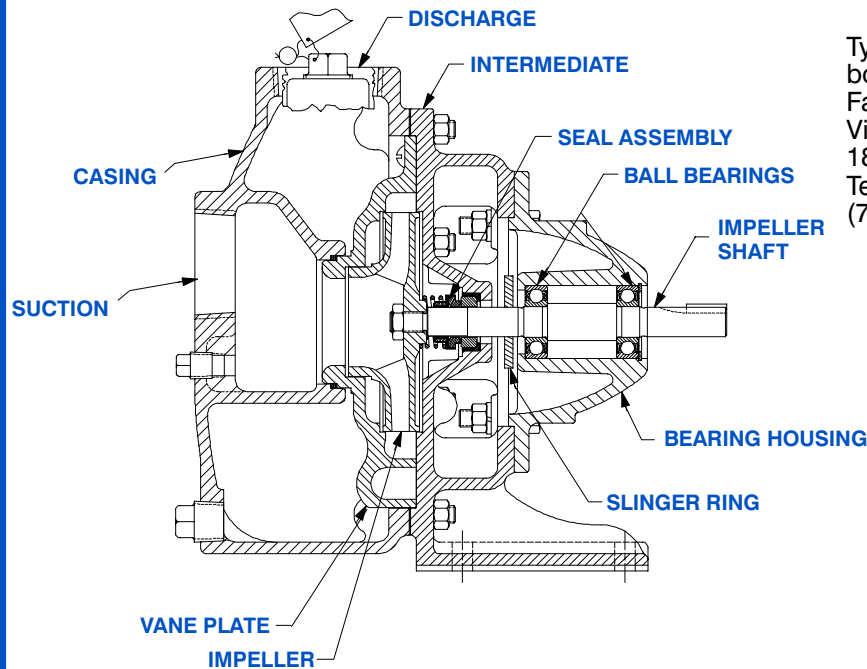


# Basic Pedestal Self Priming Centrifugal Pump Model 02E3-B Size 2" x 2"

## PUMP SPECIFICATIONS

- Size:** 2" x 2" (51 mm x 51 mm) NPT – Female
- Casing:** Gray Iron No. 30.  
Maximum Operating Pressure 40 psi (276 kPa)\*
- Enclosed Type, Six Vane Impeller:** Copper Alloy C83600.  
Handles 7/16" (11 mm) Diameter Spherical Solids.
- Impeller Shaft:** Carbon Steel AISI 1215.
- Replaceable Vane Plate:** Gray Iron No. 30.
- Bearing Housing:** Gray Iron No. 30.
- Intermediate:** Gray Iron No. 30.
- Thrust and Radial Bearings:** Sealed Single Row Ball.
- Gaskets:** NC710 Cork with Nitrile Binder.
- O-Ring:** Fluorocarbon (DuPont Viton® or Equivalent).
- Hardware:** Standard Plated Steel.
- Optional Equipment:**  
All Iron Construction.  
Ductile Iron Casing.

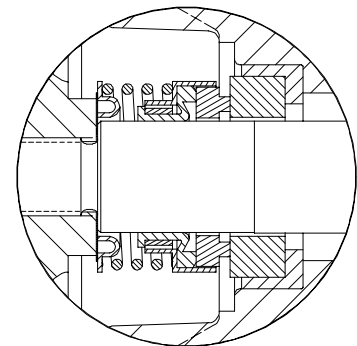
*\*Consult Factory for Applications Exceeding Maximum Pressure and/or Temperature Indicated.*



## SEAL SPECIFICATIONS

Type 21, Mechanical, Self-Lubricated. Carbon Rotating Face. Ni-Resist Stationary Face. Fluorocarbon Elastomers (DuPont Viton® or Equivalent). Stainless Steel No. 18-8 Cage and Spring. Maximum Temperature of Liquid Pumped, 160°F. (71°C.)\*

## SEAL DETAIL



THE GORMAN-RUPP COMPANY • MANSFIELD, OHIO

GORMAN-RUPP OF CANADA LIMITED • ST. THOMAS, ONTARIO, CANADA

www.gormanrupp.com

Specifications Subject to Change Without Notice

Printed in U.S.A.

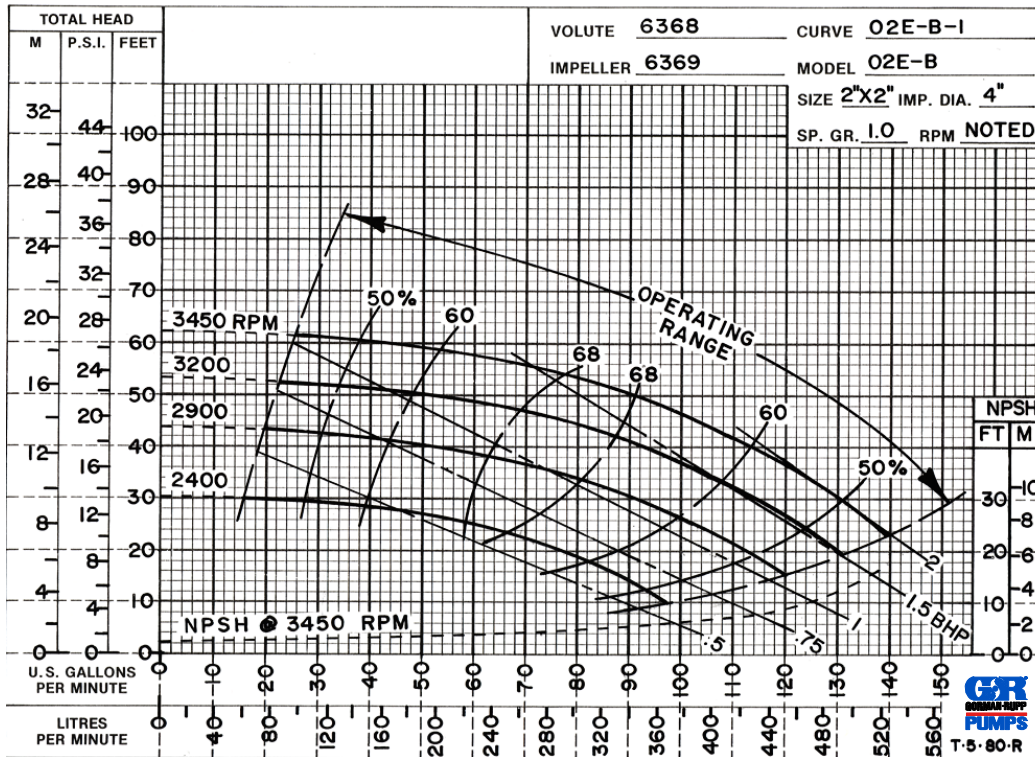
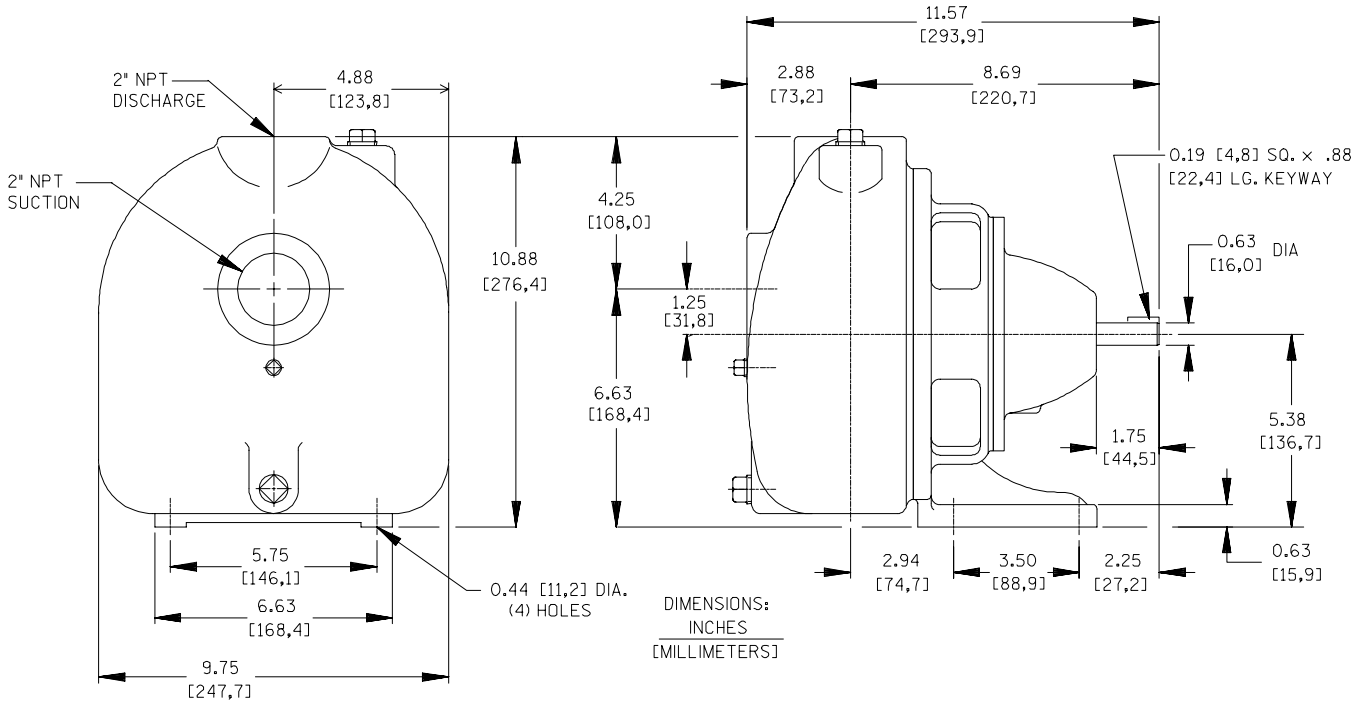
**Specification Data**

SECTION 30, PAGE 725

APPROXIMATE  
DIMENSIONS and WEIGHTS

NET WEIGHT:  
SHIPPING WEIGHTS:  
EXPORT CRATE:

45 POUNDS (20 KG)  
55 POUNDS (25KG)  
2.3 CUBIC FEET (.06 CU. M.)



THE GORMAN-RUPP COMPANY • MANSFIELD, OHIO

GORMAN-RUPP OF CANADA LIMITED • ST. THOMAS, ONTARIO, CANADA

Specifications Subject to Change Without Notice

Printed in U.S.A.