

B C

## Basic Pedestal



## Self Priming Centrifugal Pump

Models 02K3-B, 02K11-B and 02K31-B

Size 2" x 2"

## PUMP SPECIFICATIONS

**Size:** 2" x 2" (51 mm x 51 mm) NPT – Female.**Casing:**

(02K3-B and 02K11-B): Gray Iron No. 30.

(02K31-B): Ductile Iron No. 60-40-18.

Maximum Operating Pressure 55 psi (379 kPa).\*

**Enclosed Type, Four Vane Impeller:** Copper Alloy No. C83600.

Handles 3/8" (9,5 mm) Diameter Spherical Solids.

**Impeller Shaft:** (02K3-B and 02K31-B): Carbon Steel No. 1215.

(02K11-B): Stainless Steel No. 303/304.

**Replaceable Vane Plate:** Gray Iron No. 30.**Intermediate:**

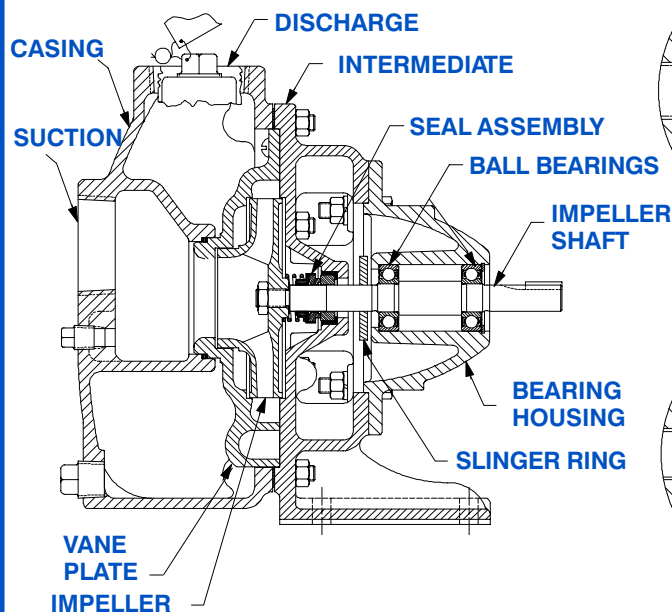
(02K3-B and 02K11-B): Gray Iron No. 30.

(02K31-B): Ductile Iron No. 60-40-18.

**Bearing Housing:** Gray Iron No. 30.**Thrust and Radial Bearings:** Sealed Single Row Ball Type.**Gaskets:**

(02K3-B and 02K31-B): Cork w/Nitrile Binder NC710.

(02K11-B): PTFE.

**O-Ring:** Fluorocarbon (DuPont Viton® or Equivalent).**Hardware:** Standard Plated Steel.**Optional Equipment:** All Iron Construction.*\*Consult Factory for Applications Exceeding Maximum Pressure and/or Temperature Indicated.***SEAL SPECIFICATIONS:  
02K3-B and 02K31-B**

Type 21, Mechanical, Self-Lubricated. Carbon Rotating Face. Ni-Resist Stationary Face. Fluorocarbon Elastomers (DuPont Viton® or Equivalent). Stainless Steel No. 18-8 Cage and Spring. Maximum Temperature of Liquid Pumped, 160°F. (71°C).\*

**SEAL SPECIFICATIONS:  
02K11-B**

Type 9, Mechanical, Self-Lubricated. Carbon Rotating Face. Ceramic Stationary Face. PTFE Elastomers. Stainless Steel No. 316 Cage and Spring. Maximum Temperature of Liquid Pumped, 160°F. (71°C).\*



THE GORMAN-RUPP COMPANY • MANSFIELD, OHIO

GORMAN-RUPP OF CANADA LIMITED • ST. THOMAS, ONTARIO, CANADA

www.grpumps.com

Specifications Subject to Change Without Notice

Printed in U.S.A.

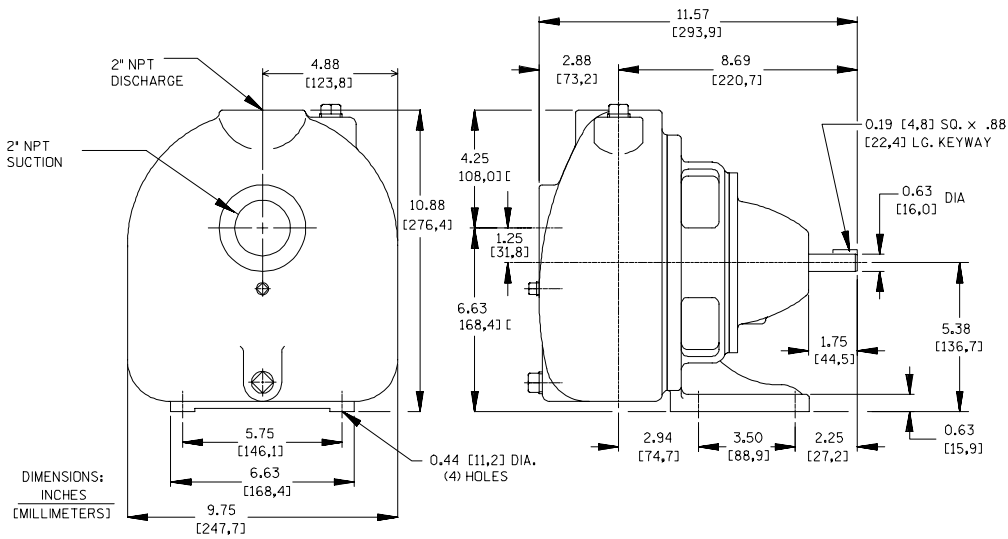
**Specification Data**

**SECTION 30, PAGE 825**

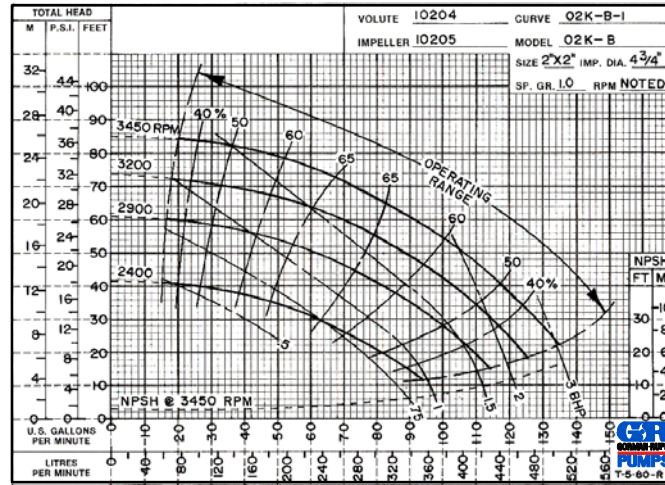
APPROXIMATE  
DIMENSIONS and WEIGHTS

**NET WEIGHT:**  
**SHIPPING WEIGHT:**  
**EXPORT CRATE:**

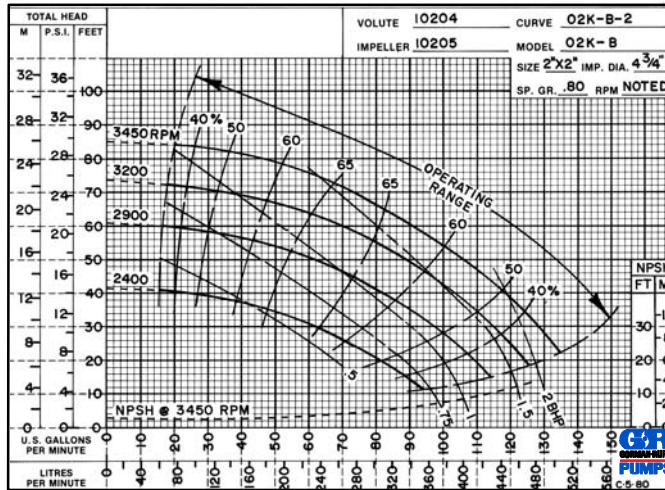
**46 LBS. (21 KG.)**  
**56 LBS. (25 KG.)**  
**2.3 CU FT. (1.76 CU. M.)**



**PERFORMANCE  
BASED ON  
WATER**



**PERFORMANCE  
BASED ON  
PETROLEUM**



**THE GORMAN-RUPP COMPANY • MANSFIELD, OHIO**

GORMAN-RUPP OF CANADA LIMITED • ST. THOMAS, ONTARIO, CANADA

Specifications Subject to Change Without Notice

Printed in U.S.A.