

B C

Basic Pedestal



Self Priming Centrifugal Pump

Model 03B31-B

Size 3" x 3"

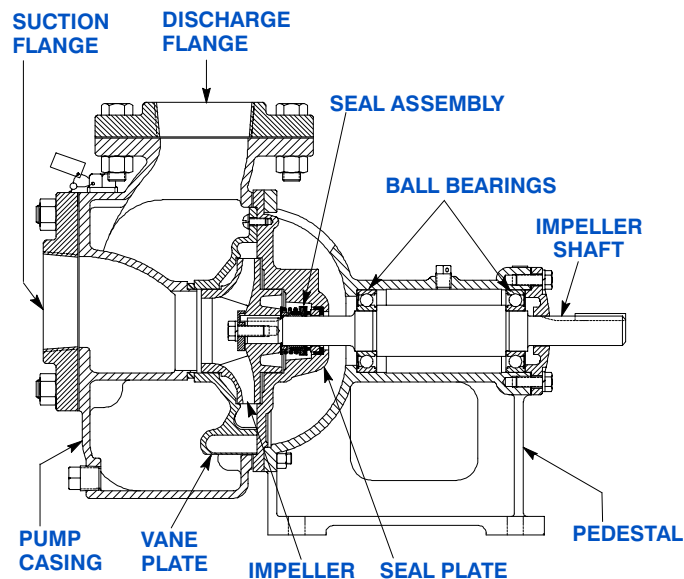
PUMP SPECIFICATIONS

Size: 3" x 3" (76 mm x 76 mm) NPT - Female**Casing:** Ductile Iron No. 60-40-18.

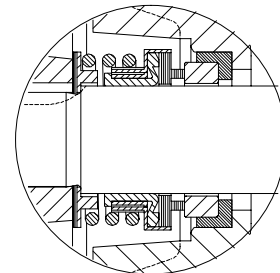
Maximum Operating Pressure 59 psi (407 kPa).*

Enclosed Type, Five Vane Impeller: Copper Alloy No. C83600.

Handles 3/8" (9,5 mm) Diameter Spherical Solids.

Impeller Shaft: Carbon Steel No. 1045.**Replaceable Vane Plate:** Gray Iron No. 30.**Pedestal:** Gray Iron No. 30.**Seal Plate:** Ductile Iron No. 60-40-18.**Radial and Thrust Bearings:** Open Single Row Ball.**Bearing Lubrication:** Grease.**Flanges:** Ductile Iron No. 60-40-18.**Gaskets:** Cork ^w/Nitrile Binder NC710.**Hardware:** Standard Plated Steel**Optional Equipment:** All Iron Construction.**Consult Factory for Applications Exceeding Maximum Pressure and/or Temperature Indicated.*

SEAL DETAIL



SEAL SPECIFICATIONS:

Type 21, Mechanical Self-Lubricated. Carbon Rotating Face. Ni-Resist Stationary Face. Fluorocarbon Elastomers (DuPont Viton[®] or Equivalent). Stainless Steel No. 18-8 Cage and Spring. Maximum Temperature of Liquid Pumped, 160°F (71°C).*



THE GORMAN-RUPP COMPANY • MANSFIELD, OHIO

GORMAN-RUPP OF CANADA LIMITED • ST. THOMAS, ONTARIO, CANADA

www.grpumps.com

Specifications Subject to Change Without Notice

Printed in U.S.A.

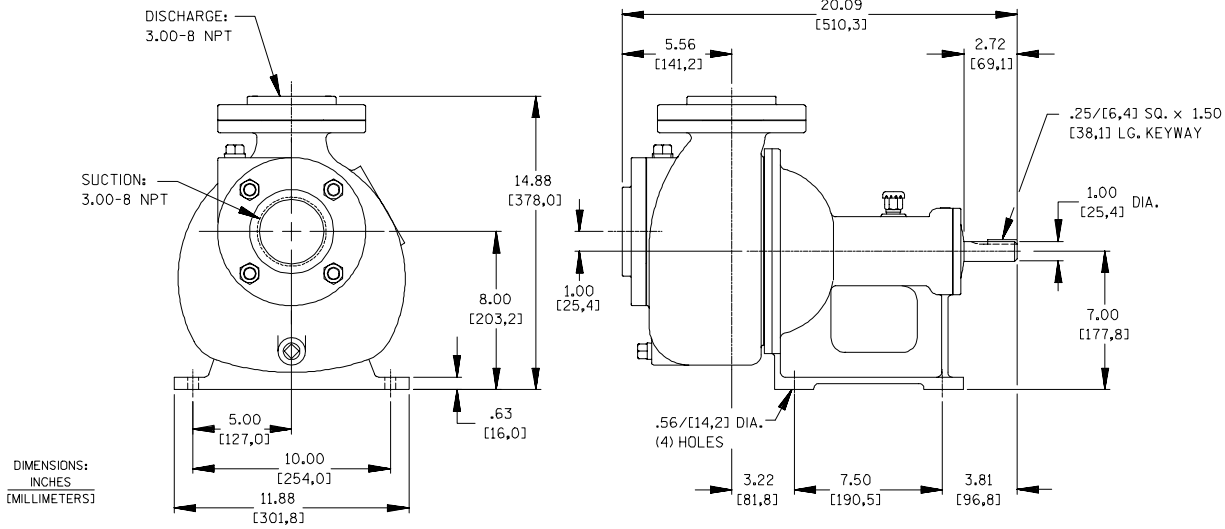
Specification Data

SECTION 30, PAGE 1200

APPROXIMATE
DIMENSIONS and WEIGHTS

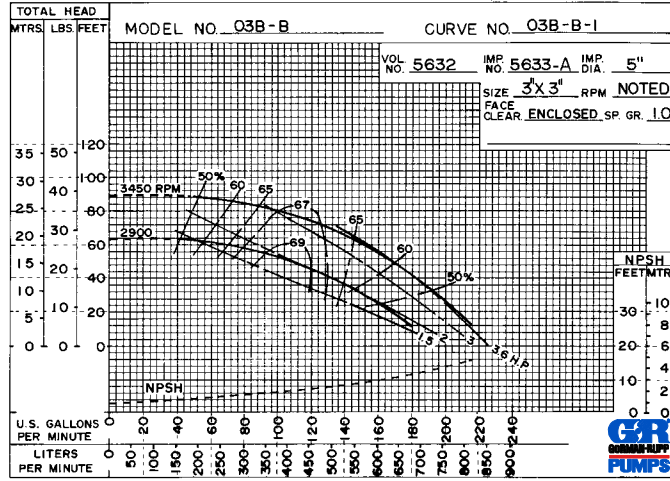
NET WEIGHT:
SHIPPING WEIGHTS:
EXPORT CRATE:

109 LBS. (49 KGS.)
119 LBS. (54 KGS.)
3.5 CU. FT. (0,1 CU. M.)



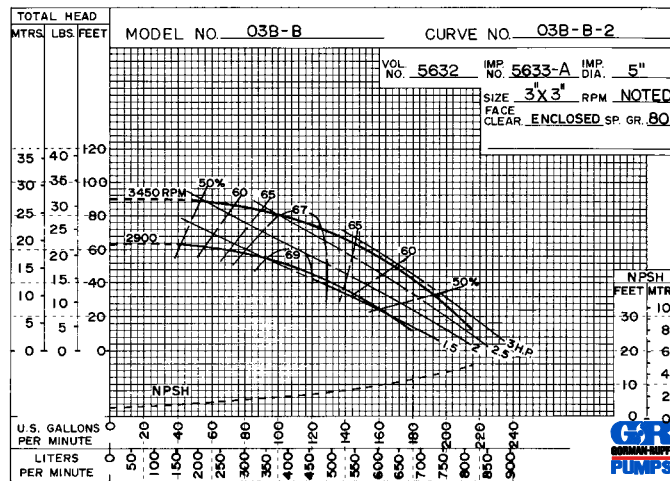
DIMENSIONS:
INCHES
[MILLIMETERS]

**PERFORMANCE
BASED ON
WATER**



T-4-15-71-REV.

**PERFORMANCE
BASED ON
PETROLEUM**



T-4-15-71-REV.



THE GORMAN-RUPP COMPANY • MANSFIELD, OHIO

GORMAN-RUPP OF CANADA LIMITED • ST. THOMAS, ONTARIO, CANADA

Specifications Subject to Change Without Notice

Printed in U.S.A.