

B C

Basic Pedestal



Self Priming Centrifugal Pump

Models 03C11-B and 03C31-B

Size 3" x 3"

PUMP SPECIFICATIONS

Size: 3" x 3" (76 mm x 76 mm) NPT - Female.**Casing:** Ductile Iron No. 60-40-18.

Maximum Operating Pressure 75 psi (517 kPa).*

Enclosed Type, Five Vane Impeller: Brass 85-5-5-5.

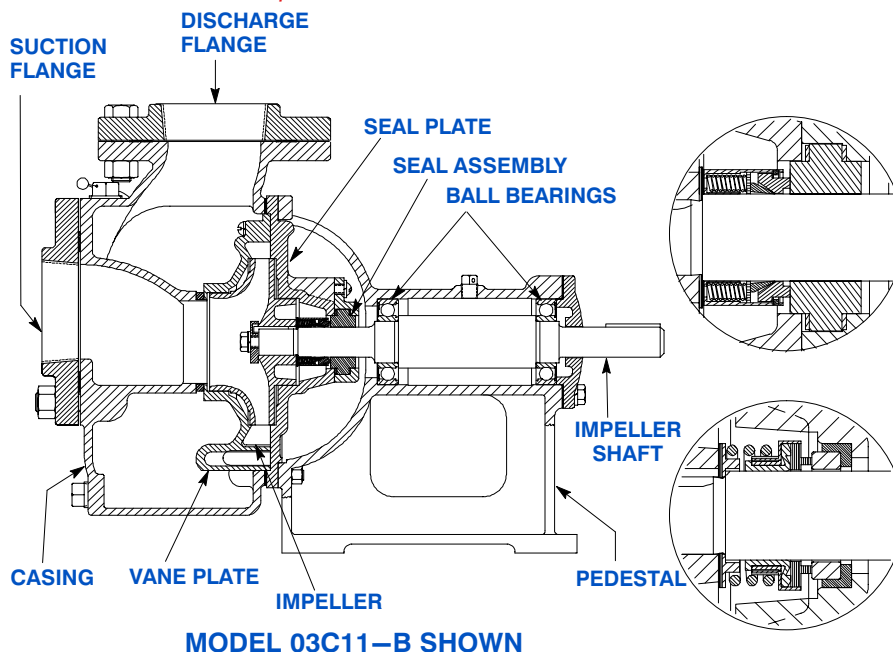
Handles 7/16" (11,1 mm) Diameter Spherical Solids.

Impeller Shaft: (03C11-B) Stainless Steel No. 303/304.
(03C31-B) Carbon Steel No. 1045.**Replaceable Vane Plate:** Gray Iron No. 30.**Pedestal:** Gray Iron No. 30.**Seal Plate:** Ductile Iron No. 60-40-18.**Radial and Thrust Bearings:** Single Row Ball Type.**Bearing Lubrication:** Grease.**Flanges:** (03C11-B) Gray Iron No. 30.

(03C31-B) Ductile Iron No. 60-40-18.

Gaskets: (03C11-B) PTFE.(03C31-B) Cork ^w/Nitrile Binder NC710.**Hardware:** Standard Plated Steel.**Optional Equipment:** All Iron Construction.

*Consult Factory for Applications Exceeding Maximum Pressure and/or Temperature Indicated.

**SEAL MODEL 03C11-B:**

Type 9, Mechanical Self-Lubricated. Rotating Face is Carbon. Stationary Face is Ceramic. PTFE Elastomers. Stainless Steel No. 316 Cage and Spring. Maximum Temperature of Liquid Pumped, 160°F (71°C).*

SEAL MODEL 03C31-B:

Type 21, Mechanical. Self-Lubricated. Carbon Rotating Face. Ni-Resist Stationary Face. Fluorocarbon Elastomers (DuPont Viton® or Equivalent). Stainless Steel No. 18-8 Cage and Spring. Maximum Temperature of Liquid Pumped, 160°F (71°C).*



THE GORMAN-RUPP COMPANY • MANSFIELD, OHIO

GORMAN-RUPP OF CANADA LIMITED • ST. THOMAS, ONTARIO, CANADA

www.grpumps.com

Specifications Subject to Change Without Notice

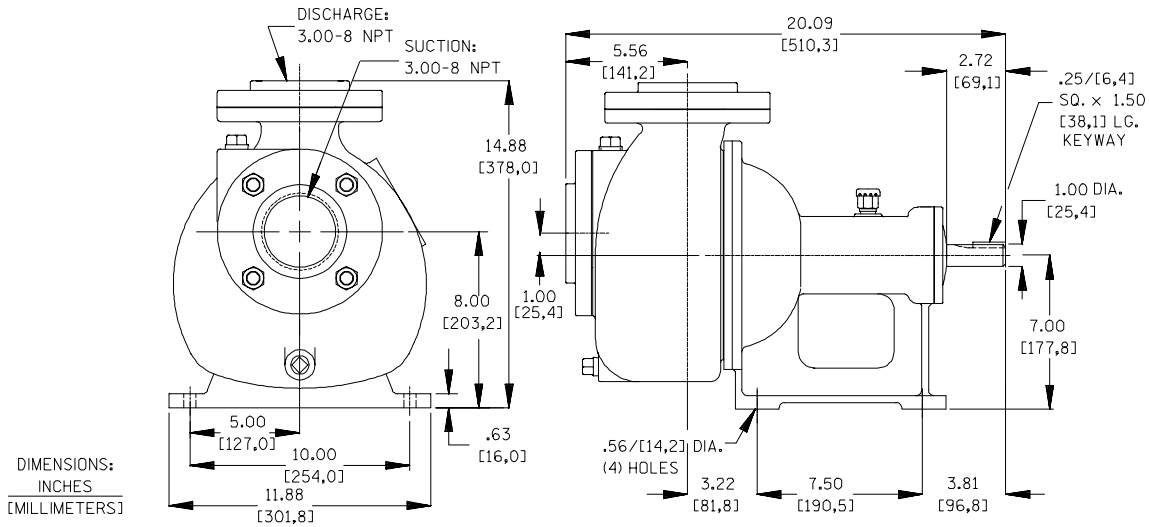
Printed in U.S.A.

Specification Data

SECTION 30, PAGE 1300

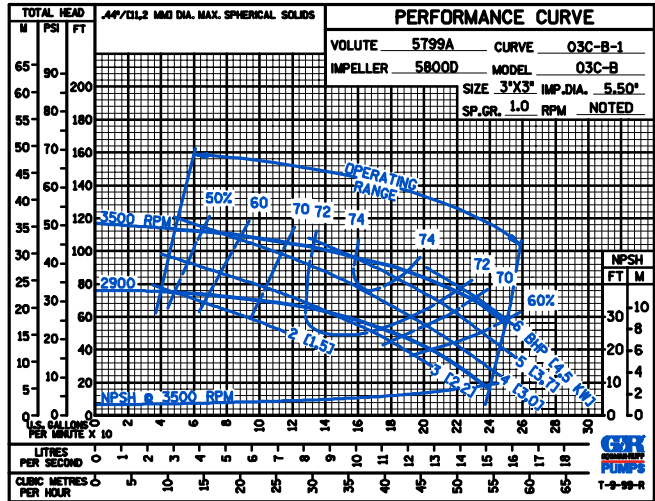
APPROXIMATE
DIMENSIONS and WEIGHTS

NET WEIGHT: 122 LBS. (55 KG.)
SHIPPING WEIGHT: 132 LBS. (60 KG.)
EXPORT CRATE: 3.6 CU. FT. (0,1 CU. M.)

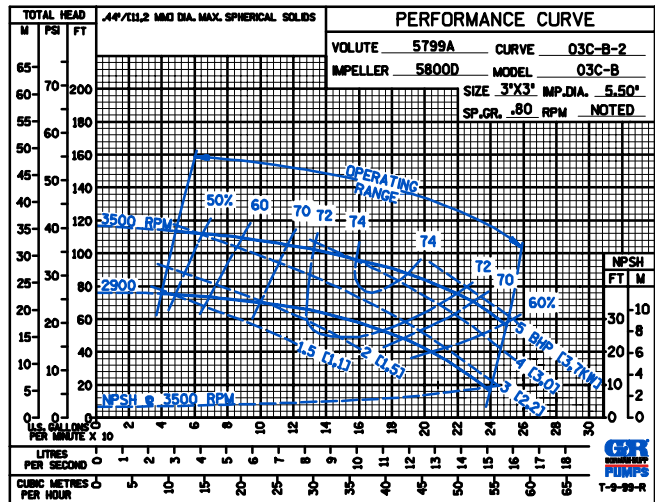


DIMENSIONS:
INCHES
MILLIMETERS

PERFORMANCE
BASED ON
WATER



PERFORMANCE
BASED ON
PETROLEUM



THE GORMAN-RUPP COMPANY • MANSFIELD, OHIO

GORMAN-RUPP OF CANADA LIMITED • ST. THOMAS, ONTARIO, CANADA

Specifications Subject to Change Without Notice

Printed in U.S.A.