

BCE

## Basic Pedestal



## Self Priming Centrifugal Pump

## Model 03E1-B

## Size 3" x 3"

## PUMP SPECIFICATIONS

**Size:** 3" x 3" (76 mm x 76 mm) NPT - Female

**Casing:** Aluminum Alloy 319.

Maximum Operating Pressure 164 psi (1130 kPa).\*

**Enclosed Type, Five Vane Impeller:** Almag No. 35.

Handles 5/8" (15,8 mm) Diameter Spherical Solids.

**Impeller Shaft:** Alloy Steel No. 4150M.

**Replaceable Vane Plate:** Gray Iron No. 30.

**Pedestal:** Gray Iron No. 30

**Seal Plate:** Aluminum No. 319-T6.

**Shaft Sleeve:** Alloy Steel No. 4130.

**Radial and Thrust Bearings:** Single Row Ball.

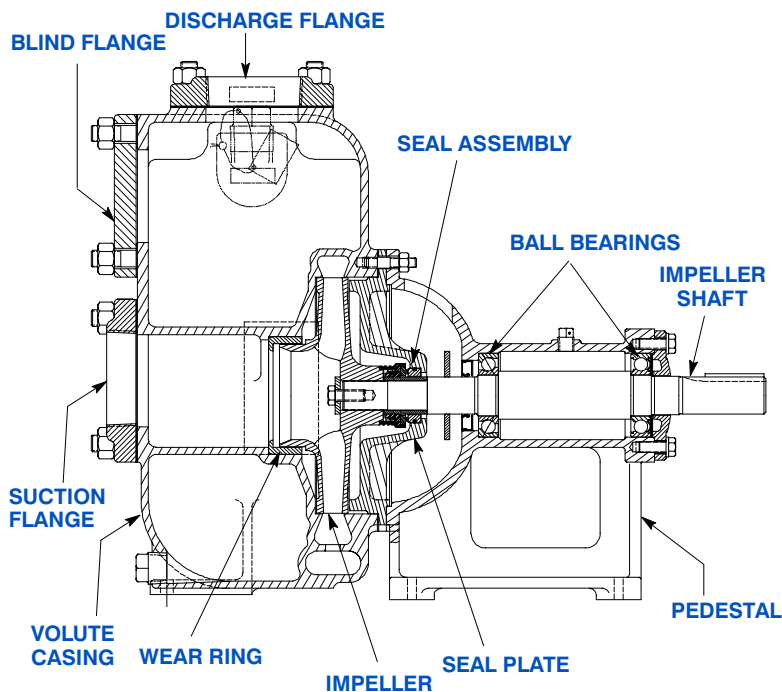
**Bearing Lubrication:** Grease.

**Flanges:** Aluminum No. 356-T6.

**Gaskets:** Composition Cork.

**Hardware:** Standard Plated Steel.

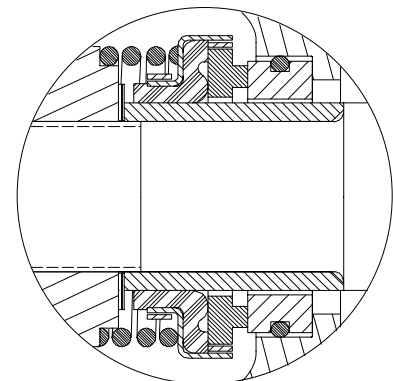
*\*Consult Factory for Applications Exceeding Maximum Pressure and/or Temperature Indicated.*



## SEAL SPECIFICATION

Type 2 Mechanical, Self-Lubricated. Carbon Rotating Face. Ni-Resist Stationary Face. Fluorocarbon Elastomers (DuPont Viton® or Equivalent). Stainless Steel No. 18-8 Cage and Spring. Maximum Temperature of Liquid Pumped, 160°F (71°C).\*

## SEAL DETAIL



THE GORMAN-RUPP COMPANY • MANSFIELD, OHIO

GORMAN-RUPP OF CANADA LIMITED • ST. THOMAS, ONTARIO, CANADA

www.gormanrupp.com

Specifications Subject to Change Without Notice

Printed in U.S.A.

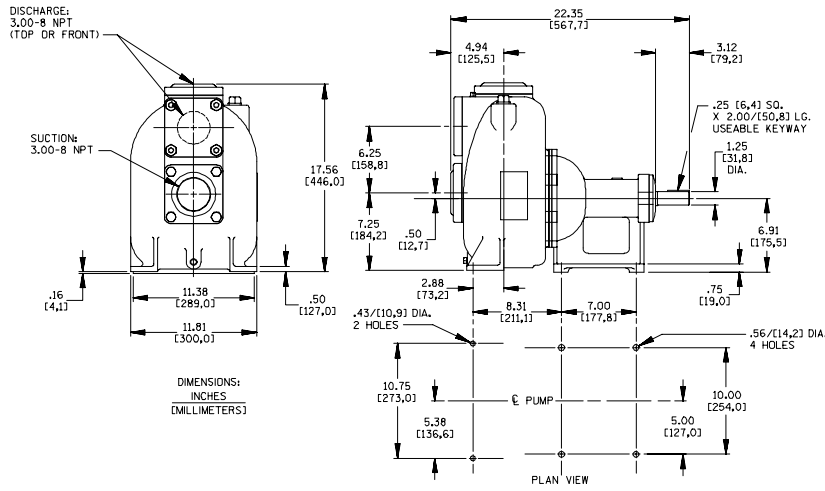
**Specification Data**

SECTION 30, PAGE 1400

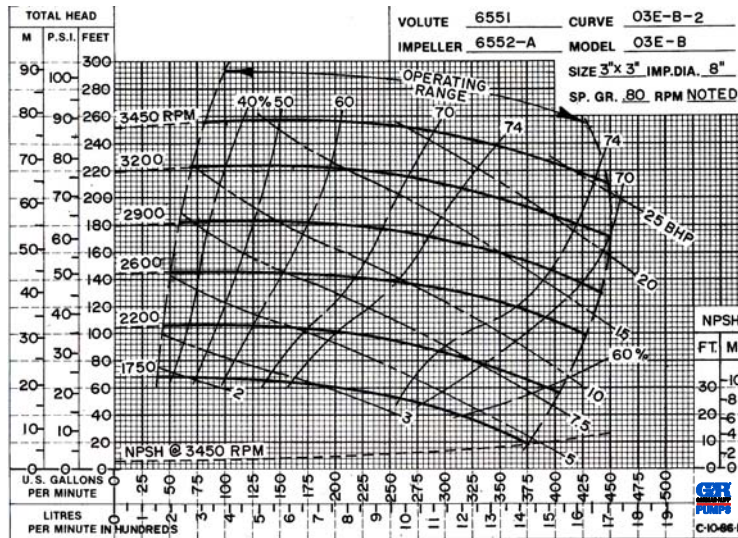
APPROXIMATE  
DIMENSIONS and WEIGHTS

NET WEIGHT:  
SHIPPING WEIGHT:  
EXPORT CRATE:

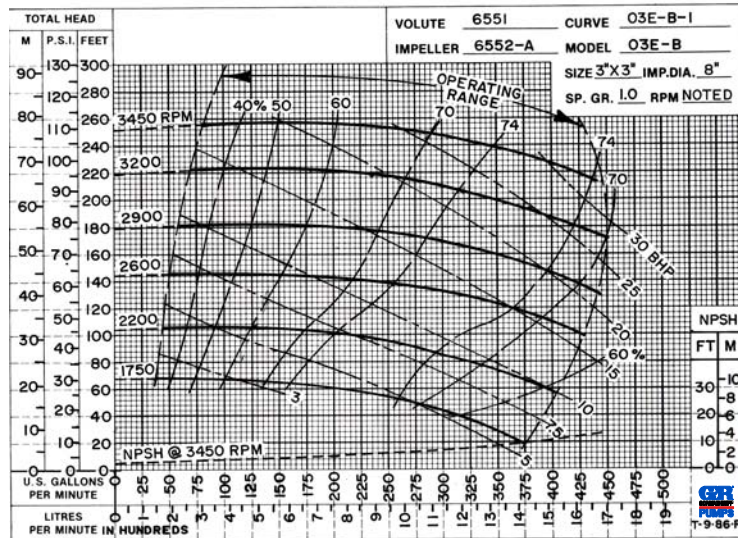
90 LBS. (40,8 KGS.)  
101 LBS. (45,8 KGS.)  
8.6 CU. FT. (0,24 CU. M.)



PERFORMANCE  
BASED ON  
PETROLEUM



PERFORMANCE  
BASED ON  
WATER



THE GORMAN-RUPP COMPANY • MANSFIELD, OHIO

GORMAN-RUPP OF CANADA LIMITED • ST. THOMAS, ONTARIO, CANADA

Specifications Subject to Change Without Notice

Printed in U.S.A.