

BCE

Basic Pedestal

**Self Priming Centrifugal Pump****Model 03F3—B****Size 3" x 3"****PUMP SPECIFICATIONS****Size:** 3" x 3" (76 mm x 76 mm) NPT - Female.**Casing:** Gray Iron No. 30.

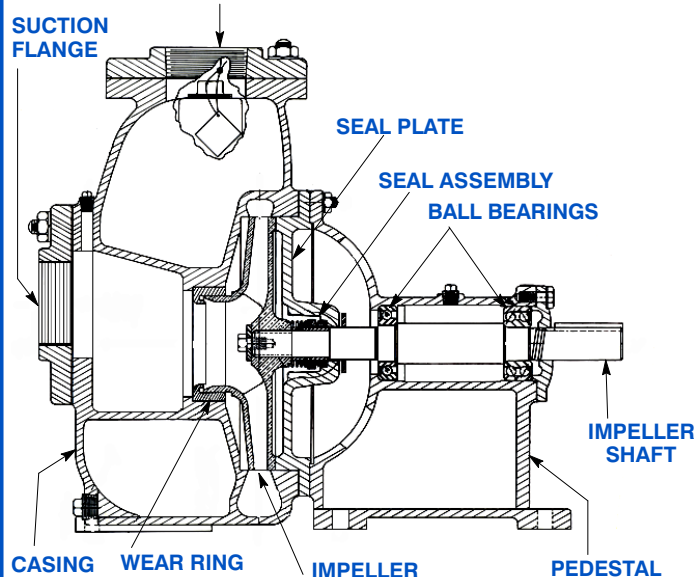
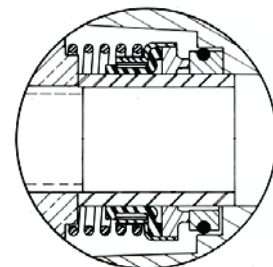
Maximum Operating Pressure 75 psi (517 kPa).\*

**Enclosed Type, Six Vane Impeller:** Copper Alloy C83600.

Handles 5/8" (15,9 mm) Diameter Spherical Solids.

**Impeller Shaft:** Alloy Steel No. 4150.**Replaceable Wear Ring:** Gray Iron No. 30.**Pedestal:** Gray Iron No. 30.**Seal Plate:** Gray Iron No. 30.**Shaft Sleeve:** Alloy Steel No. 4130.**Radial Bearing:** Open Single Row Ball.**Thrust Bearing:** Open Double Row Ball.**Bearing Lubrication:** Grease.**Flanges:** Gray Iron No. 30.**Gaskets:** Composition Cork and Buna-N.**Hardware:** Standard Plated Steel.**Optional Equipment:** All Iron Construction. Fluorocarbon Gaskets (DuPont Viton® or Equivalent). Gray Iron No. 30 Spool Flanges.

*\*Consult Factory for Applications Exceeding Maximum Pressure and/or Temperature Indicated.*

**SEAL DETAIL****SEAL SPECIFICATIONS:**

Type 21, Mechanical Self-Lubricated. Carbon Rotating Face. Ni-Resist Stationary Face. Fluorocarbon Elastomers (DuPont Viton® or Equivalent). Stainless Steel No. 18-8 Cage and Spring. Maximum Temperature of Liquid Pumped, 160°F (71°C).\*



THE GORMAN-RUPP COMPANY • MANSFIELD, OHIO

GORMAN-RUPP OF CANADA LIMITED • ST. THOMAS, ONTARIO, CANADA

www.grpumps.com

Specifications Subject to Change Without Notice

Printed in U.S.A.

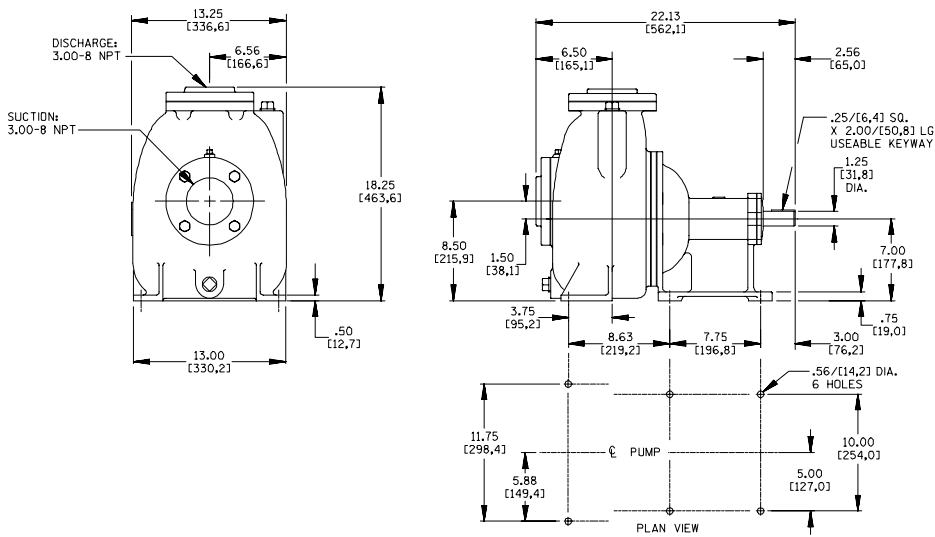
**Specification Data**

**SECTION 30, PAGE 1500**

APPROXIMATE  
DIMENSIONS and WEIGHTS

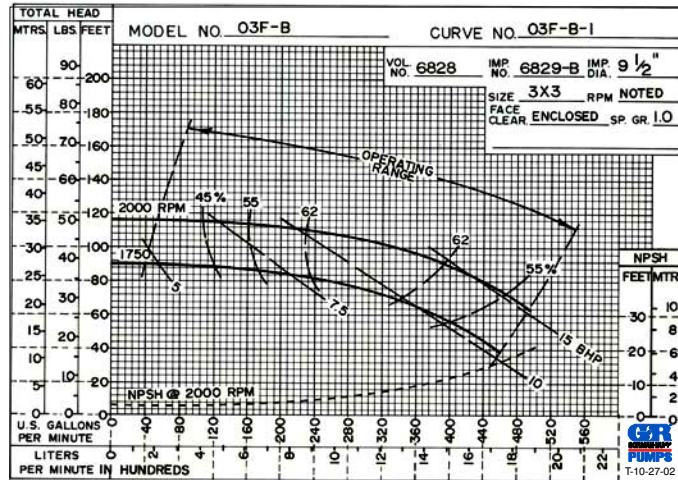
**NET WEIGHT:**  
**SHIPPING WEIGHTS:**  
**EXPORT CRATE:**

**199 LBS (90,2 KGS.)**  
**209 LBS (94,8 KGS.)**  
**8.6 CU. FT. (0,24 CU. M.)**

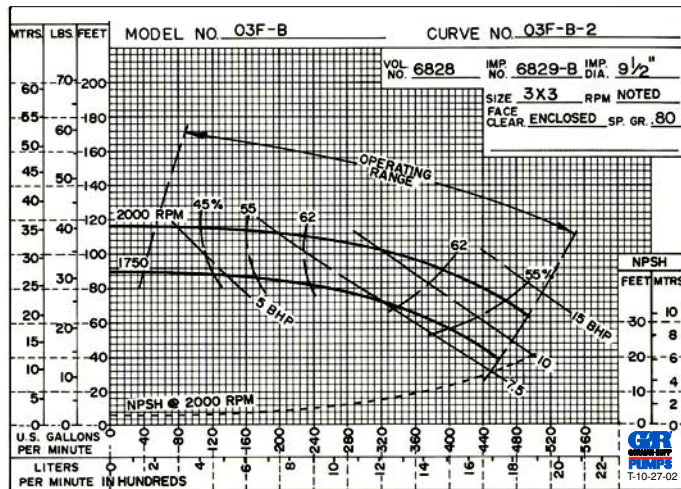


DIMENSIONS:  
INCHES  
[MILLIMETERS]

**PERFORMANCE  
BASED ON  
WATER**



**PERFORMANCE  
BASED ON  
PETROLEUM**



**THE GORMAN-RUPP COMPANY • MANSFIELD, OHIO**

GORMAN-RUPP OF CANADA LIMITED • ST. THOMAS, ONTARIO, CANADA

Specifications Subject to Change Without Notice

Printed in U.S.A.