

BCE

## Basic Pedestal



## Self Priming Centrifugal Pump

Model 03J1-B

Size 3" x 3"

## PUMP SPECIFICATIONS

**Size:** 3" x 3" (76 mm x 76 mm) NPT - Female.**Casing:** Aluminum No. 356-T6.

Maximum Operating Pressure 124 psi (855 kPa).\*

**Enclosed Type, Three Vane Impeller:** Aluminum Alloy 356-T6.

Handles 1/2" (12,7 mm) Diameter Spherical Solids.

**Impeller Shaft:** Alloy Steel No. 4150M.**Replaceable Wear Rings:** Copper Alloy C93200.**Pedestal:** Gray Iron No. 30.**Seal Plate:** Aluminum Alloy 356-T6.**Shaft Sleeve:** Alloy Steel 4130.**Radial and Thrust Bearings:** Open Single Row Ball.**Bearing Lubrication:** SAE No. 30 Non-Detergent Oil.**Flanges:** Aluminum No. 356-T6.**Gaskets:** Composition Cork and Buna-N.**Hardware:** Standard Plated Steel.**Oil Level Sight Gauge.****Optional Equipment:** Victaulic™ Flanges.*\*Consult Factory for Applications Exceeding Maximum Pressure and/or Temperature Indicated.*

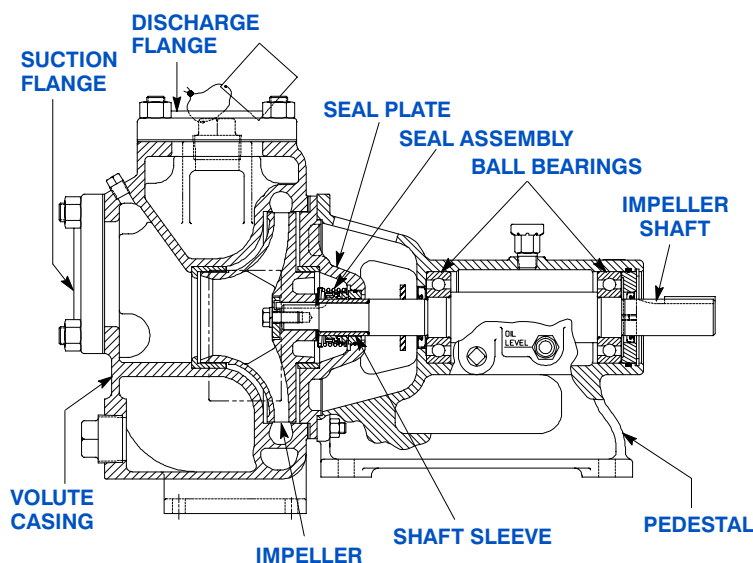
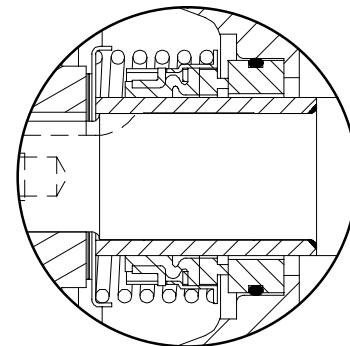
Victaulic is a Registered Trademark of Victaulic Company of America.



## SEAL SPECIFICATIONS

Type 2 Mechanical Self-Lubricated. Carbon Rotating Face. Ni-Resist Stationary Face. Fluorocarbon Elastomers (DuPont Viton® or Equivalent). Stainless Steel No. 18-8 Cage and Spring. Maximum Temperature of Liquid Pumped, 160°F (71°C).\*

## SEAL DETAIL



THE GORMAN-RUPP COMPANY • MANSFIELD, OHIO

GORMAN-RUPP OF CANADA LIMITED • ST. THOMAS, ONTARIO, CANADA

www.gormanrupp.com

Specifications Subject to Change Without Notice

Printed in U.S.A.

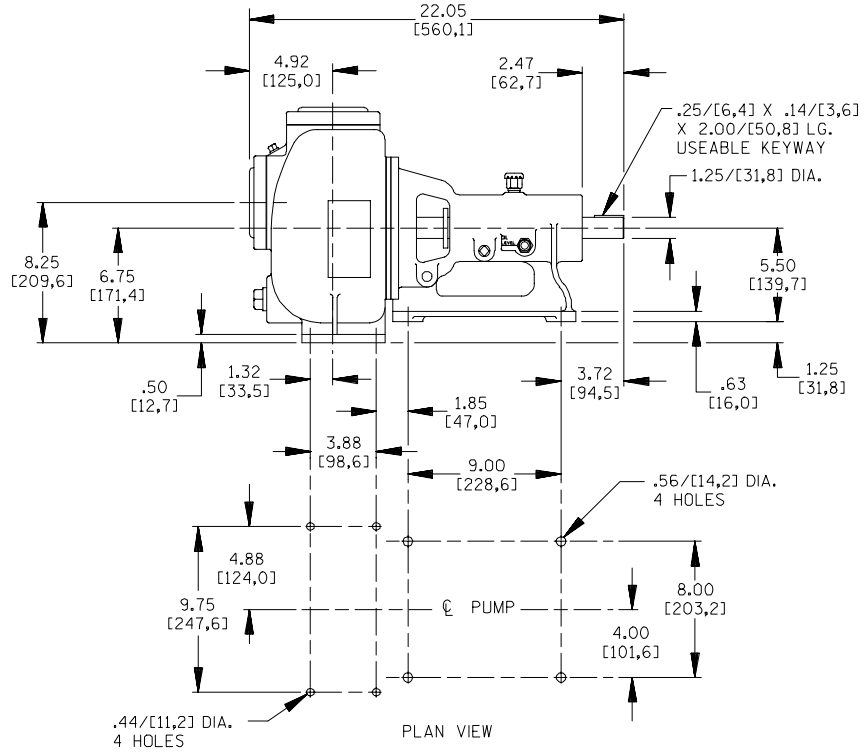
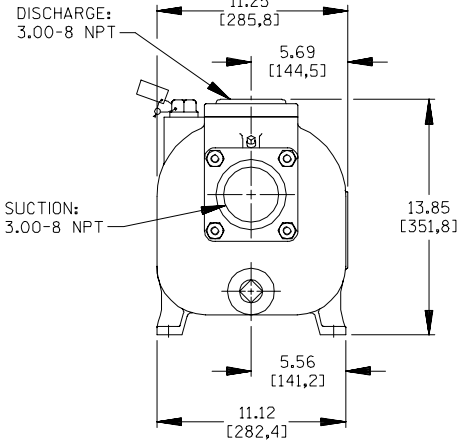
**Specification Data**

APPROXIMATE  
DIMENSIONS and WEIGHTS

**NET WEIGHT:**  
**SHIPPING WEIGHT:**  
**EXPORT CRATE:**

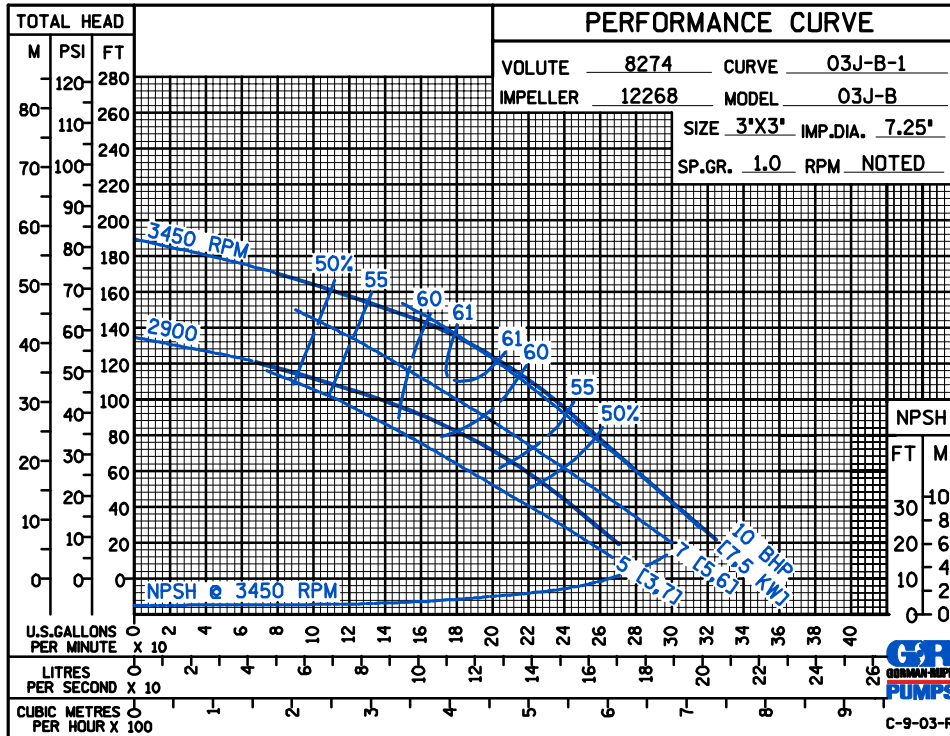
**78 LBS. (35 KG.)**  
**88 LBS. (40 KG.)**  
**8.5 CU. FT. (0,24 CU. M.)**

**SECTION 30, PAGE 1575**



DIMENSIONS:  
INCHES  
[MILLIMETERS]

**PERFORMANCE BASED ON WATER**



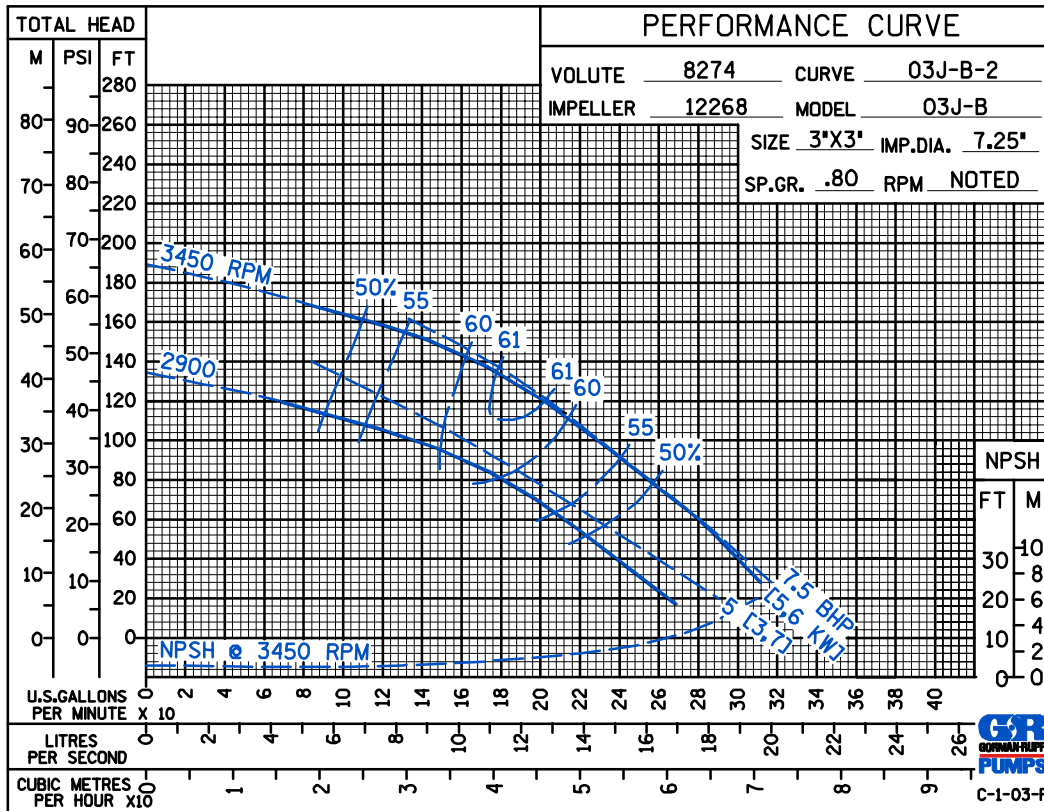
**THE GORMAN-RUPP COMPANY • MANSFIELD, OHIO**

GORMAN-RUPP OF CANADA LIMITED • ST. THOMAS, ONTARIO, CANADA

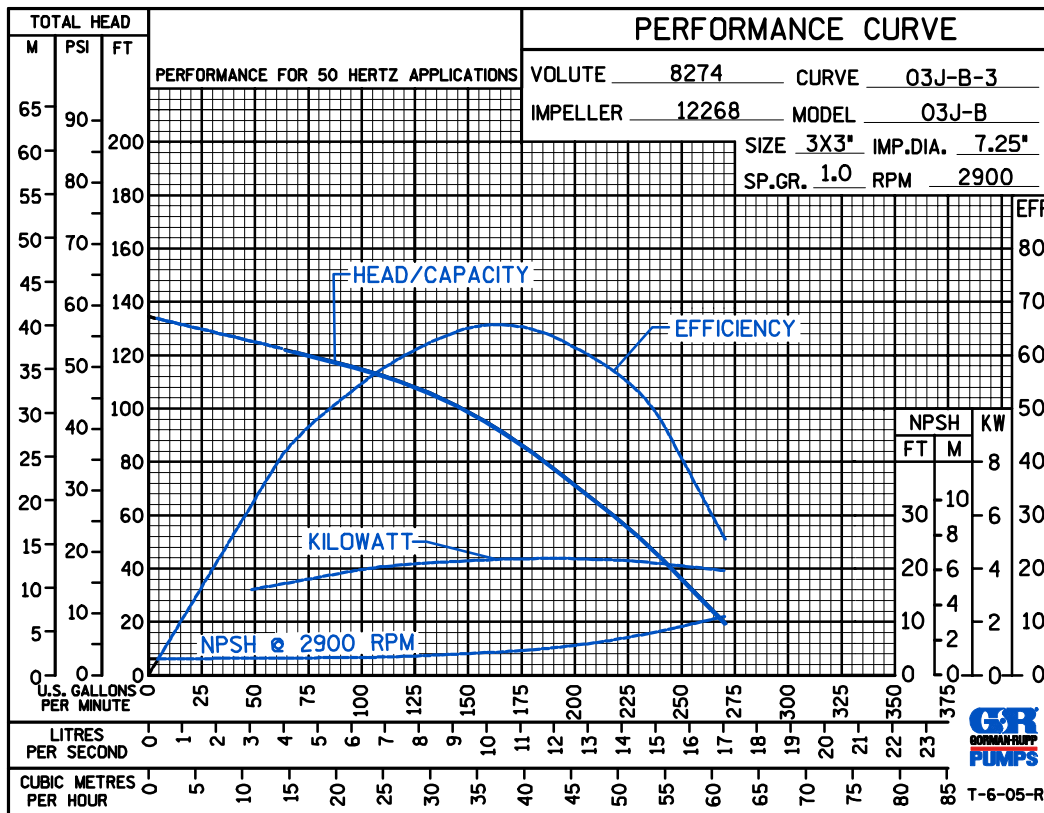
Specifications Subject to Change Without Notice

Printed in U.S.A.

BCE



PERFORMANCE BASED ON PETROLEUM



50 HZ PERFORMANCE BASED ON WATER



THE GORMAN-RUPP COMPANY • MANSFIELD, OHIO

GORMAN-RUPP OF CANADA LIMITED • ST. THOMAS, ONTARIO, CANADA

Specifications Subject to Change Without Notice

Printed in U.S.A.