

ABCE



Basic Pedestal

Self Priming Centrifugal Pump

Models 04A3-B and 04A20-B

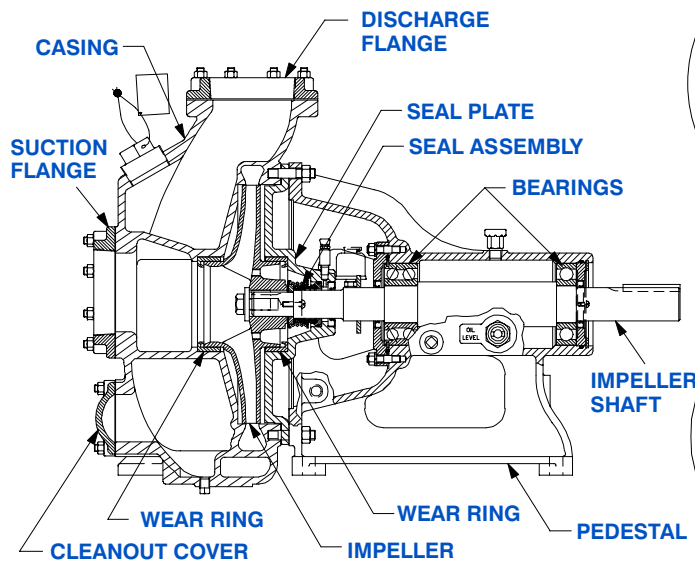
Size 4" x 4"

PUMP SPECIFICATIONS

- Size:** 4" x 4" (102 mm x 102 mm) NPT – Female
- Pump Casing:** Gray Iron No. 30.
Maximum Operating Pressure 235 psi (1623 kPa).*
- Enclosed Type, Five Vane Impeller:**
(04A3-B): Copper Alloy C83600.
(04A20-B): Gray Iron No. 30.
Handles 9/16" (14,3 mm) Diameter Spherical Solids.
- Impeller Shaft:** Carbon Steel Grade 1045.
- Shaft Sleeve:** (04A3-B) Alloy Steel No. 4130.
- Replaceable Wear Rings:** Gray Iron No. 30.
- Removable Cleanout Cover:** Gray Iron No. 30.
Weight 2 lbs. (0,9 kg.).
- Pedestal:** Gray Iron No. 30.
- Seal Plate:** Gray Iron No. 30.
- Radial Bearing:** Open Single Row Ball.
- Thrust Bearing:** Open Double Row Ball.
- Bearing Lubrication:** SAE No. 30 Non-Detergent Oil.
- Flanges:** Ductile Iron No. 60-40-18.
- O-Rings:** Buna-N.
- Gaskets:** Resistant Synthetic Rubber and Cork.
- Hardware:** Standard Plated Steel.
- Oil Level Sight Gauge.**
- Optional Equipment:** Strainer.



**Consult Factory for Applications Exceeding Maximum Pressure and/or Temperature Indicated.*



MODEL 04A20-B SHOWN

SEAL MODEL 04A3-B

Type 2, Mechanical, Self-Lubricated. Carbon Rotating Face. Ni-Resist Stationary Face. Fluorocarbon Elastomers (DuPont Viton® or Equivalent). Stainless Steel No. 18-8 Cage and Spring. Maximum Temperature of Liquid Pumped 160°F (71°C).*

SEAL MODEL 04A20-B

Type 2, Mechanical, Oil-Lubricated, Self-Aligning. Tungsten Titanium Carbide Rotating and Stationary Faces. Stainless Steel Type 316 Stationary Seat. Fluorocarbon, Elastomers (DuPont Viton® or Equivalent). Stainless Steel 18-8 Cage and Spring. Maximum Temperature of Liquid Pumped, 160°F (71°C).*



THE GORMAN-RUPP COMPANY • MANSFIELD, OHIO

GORMAN-RUPP OF CANADA LIMITED • ST. THOMAS, ONTARIO, CANADA

www.gormanrupp.com

Specifications Subject to Change Without Notice

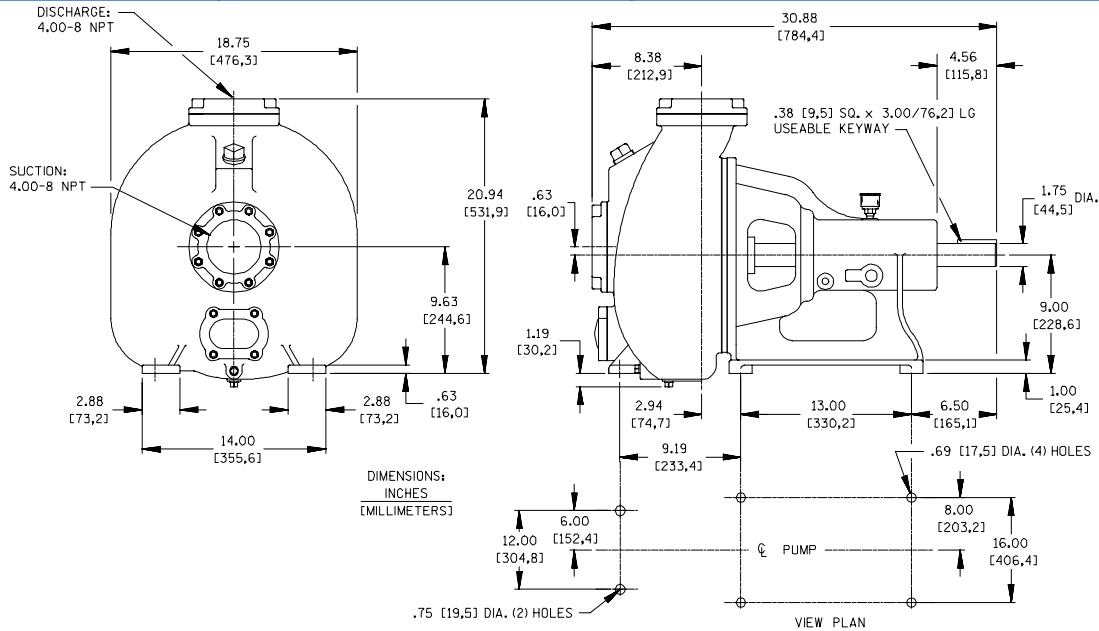
Printed in U.S.A.

Specification Data

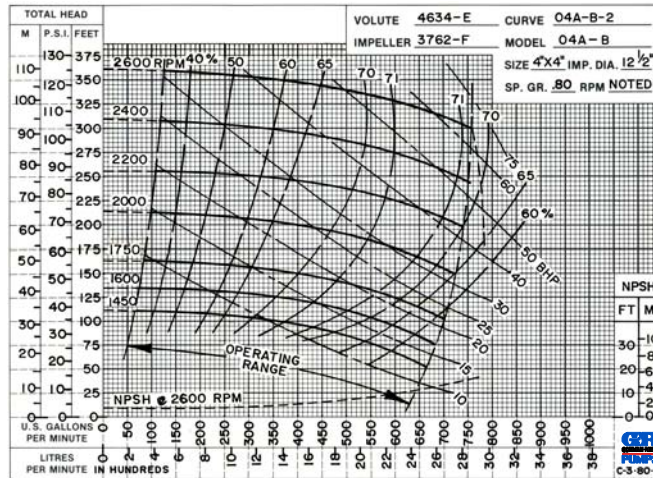
SECTION 30, PAGE 1700

APPROXIMATE
DIMENSIONS and WEIGHTS

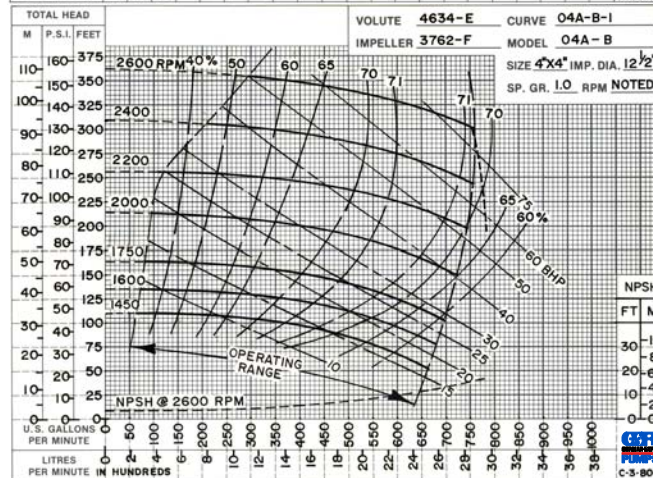
NET WEIGHT: 365 LBS. [166 KG.]
SHIPPING WEIGHT: 388 LBS. [176 KG.]
EXPORT CRATE: 12.2 CU. FT. [.34 CU. M.]



**PERFORMANCE
BASED ON
PETROLEUM**



**PERFORMANCE
BASED ON
WATER**



THE GORMAN-RUPP COMPANY • MANSFIELD, OHIO

GORMAN-RUPP OF CANADA LIMITED • ST. THOMAS, ONTARIO, CANADA

Specifications Subject to Change Without Notice

Printed in U.S.A.