

BCE

Basic Pedestal

Self Priming Centrifugal Pump

Model 04B3-B

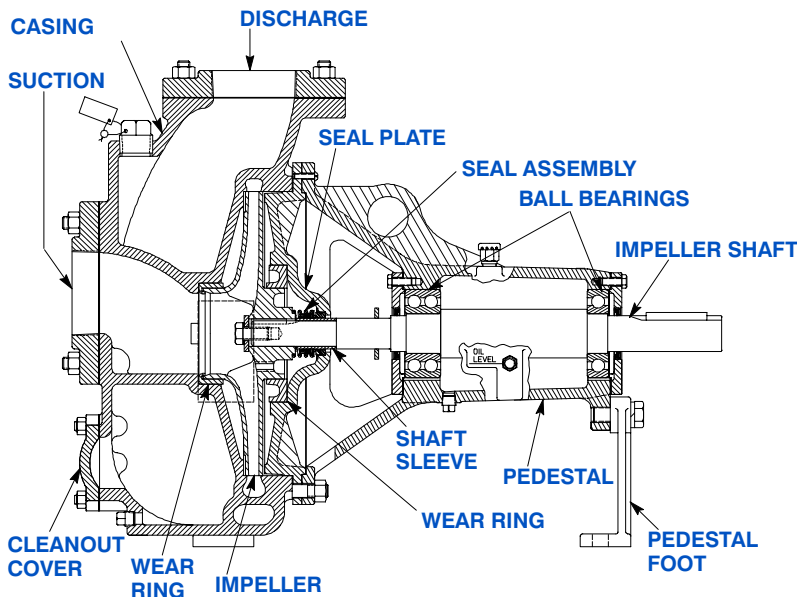
Size 4" x 4"



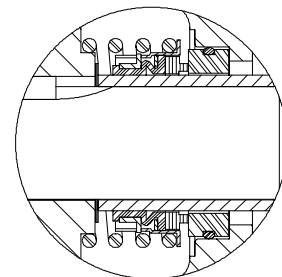
PUMP SPECIFICATIONS

- Size:** 4" x 4" (102 mm x 102 mm) NPT – Female.
- Casing:** Gray Iron No. 30.
Maximum Operating Pressure 260 psi (1793 kPa).*
- Enclosed Type, Five Vane Impeller:** Copper Alloy C83600.
Handles 1/2" (12,7 mm) Diameter Spherical Solids.
- Impeller Shaft:** Alloy Steel No. 4150.
- Replaceable Wear Rings:** Gray Iron No. 30.
- Removable Cleanout Cover:** Gray Iron No. 30.
Weight 3 lbs. (1,4 kg.).
- Pedestal:** Gray Iron No. 30.
- Pedestal Foot:** Gray Iron No. 30.
- Seal Plate:** Gray Iron No. 30.
- Shaft Sleeve:** Alloy Steel 4130.
- Radial Bearing:** Single Row Ball Type.
- Thrust Bearing:** Double Row Ball Type.
Bearing Lubrication: SAE No. 30 Non-Detergent Oil.
- Flanges:** Gray Iron No. 30.
- Gaskets:** Cork ^w/Nitrile Binder NC710 and Vegetable Fiber.
- Hardware:** Standard Plated Steel.
- Oil Level Sight Gauge.**

**Consult Factory for Applications Exceeding Maximum Pressure and/or Temperature Indicated.*



SEAL DETAIL



04B3-B SEAL SPECIFICATIONS

Type 2, Mechanical Self-Lubricated. Carbon Rotating Face. Ni-Resist Stationary Face. Fluorocarbon Elastomers (DuPont Viton[®] or Equivalent). Stainless Steel No. 18-8 Cage and Spring. Maximum Temperature of Liquid Pumped, 160°F [71°C].*



THE GORMAN-RUPP COMPANY • MANSFIELD, OHIO

GORMAN-RUPP OF CANADA LIMITED • ST. THOMAS, ONTARIO, CANADA

www.grpumps.com

Specifications Subject to Change Without Notice

Printed in U.S.A.

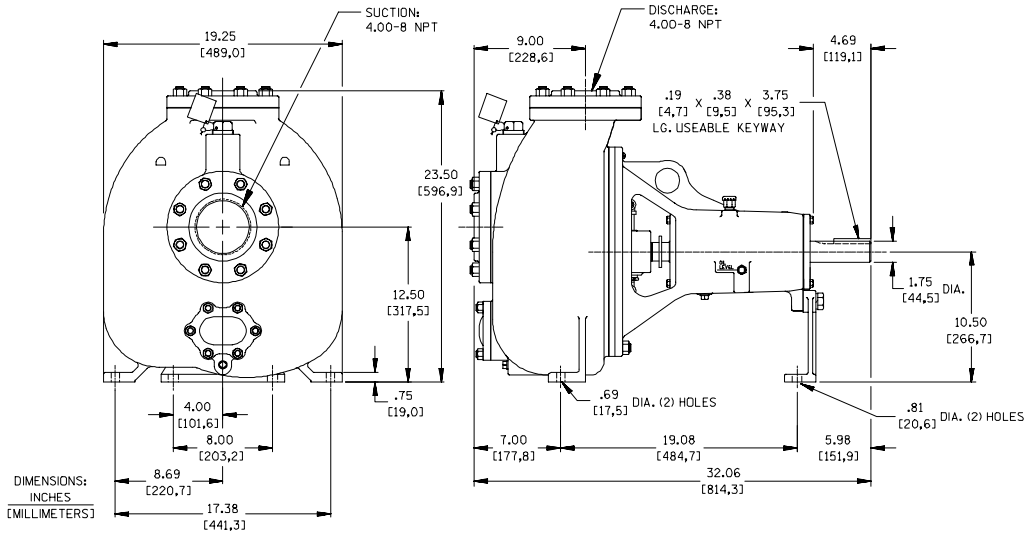
Specification Data

SECTION 30, PAGE 1800

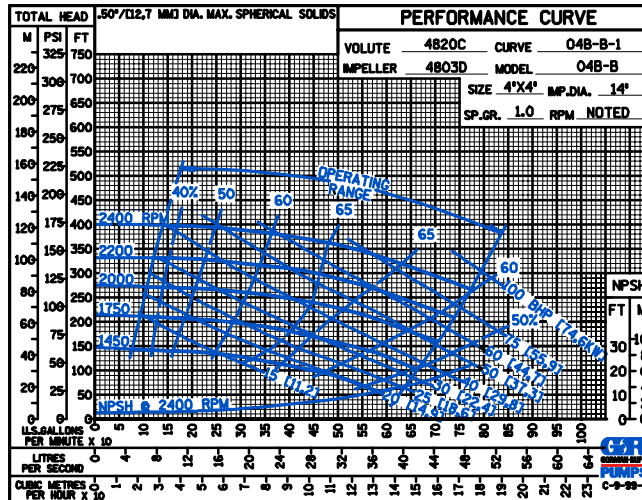
APPROXIMATE DIMENSIONS and WEIGHTS

NET WEIGHT:
SHIPPING WEIGHT:
EXPORT CRATE:

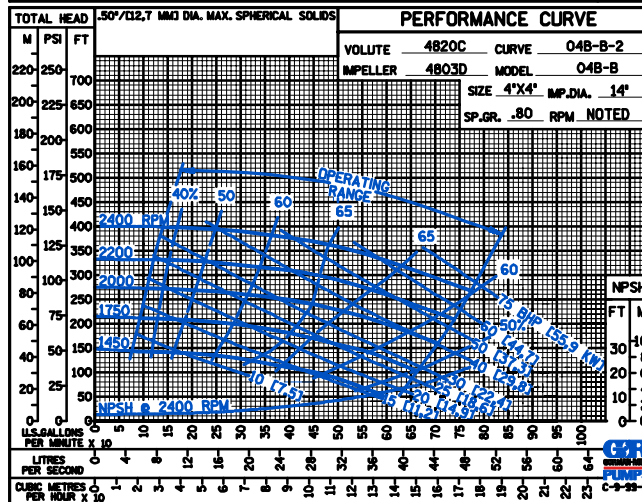
420 LBS. (190 KGS.)
462 LBS. (210 KGS.)
17.4 CU. FT. (0,5 CU. M.)



PERFORMANCE BASED ON WATER



PERFORMANCE BASED ON PETROLEUM



THE GORMAN-RUPP COMPANY • MANSFIELD, OHIO

GORMAN-RUPP OF CANADA LIMITED • ST. THOMAS, ONTARIO, CANADA

Specifications Subject to Change Without Notice

Printed in U.S.A.