

BCE

## Basic Pedestal



# Self Priming Centrifugal Pump

## Models 06B3-B

Size 6" x 6"

**PUMP SPECIFICATIONS****Size:** 6" x 6" (152 mm x 152 mm) NPT - Female.**Casing:** Gray Iron No. 30.

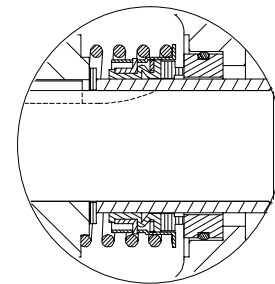
Maximum Operating Pressure 163 psi (1121 kPa).\*

**Enclosed Type, Five Vane Impeller:** Copper Alloy C83600.

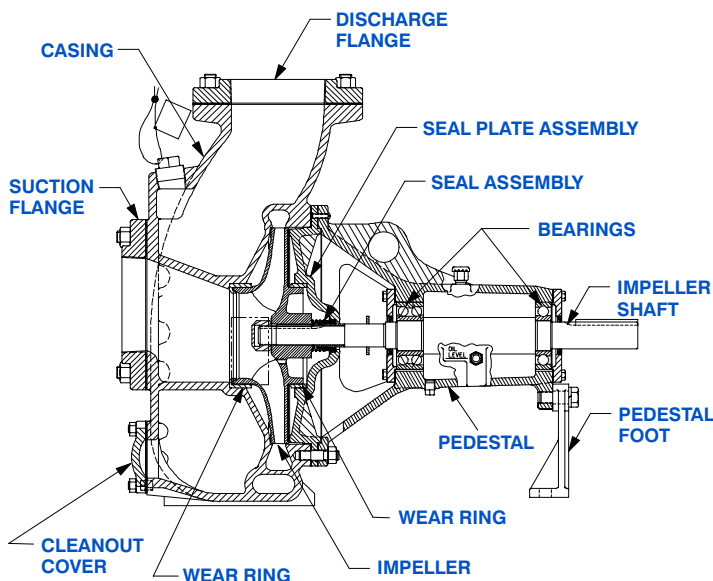
Handles 5/8" (15,8 mm) Diameter Spherical Solids.

**Impeller Shaft:** Alloy Steel No. 4150.**Replaceable Wear Rings:** Gray Iron No. 40.**Removable Cleanout Cover:** Gray Iron No. 30.

Weight 3 lbs. (1,4 kg.).

**Pedestal:** Gray Iron No. 30.**Pedestal Foot:** Gray Iron No. 30.**Seal Plate:** Gray Iron No. 30.**Shaft Sleeve:** Alloy Steel 4130.**Radial Bearing:** Open Single Row Ball.**Thrust Bearing:** Open Double Row Ball.**Bearing Lubrication:** SAE No. 30 Non-Detergent Oil.**Gaskets:** Cork <sup>w</sup>/Nitrile Binder NC710 and Vegetable Fiber.**Flanges:** Gray Iron No. 30.**Hardware:** Standard Plated Steel.**Oil Level Sight Gauge.****Optional Equipment:** All Iron Construction.*\*Consult Factory for Applications Exceeding Maximum Pressure and/or Temperature Indicated.***SEAL DETAIL****SEAL SPECIFICATIONS**

Type 2, Mechanical Self-Lubricated. Carbon Rotating Face. Ni-Resist Stationary Face. Fluorocarbon Elastomers (DuPont Viton<sup>®</sup> or Equivalent). Stainless Steel No. 18-8 Cage and Spring. Maximum Temperature of Liquid Pumped, 160°F [71°C].\*



THE GORMAN-RUPP COMPANY • MANSFIELD, OHIO

GORMAN-RUPP OF CANADA LIMITED • ST. THOMAS, ONTARIO, CANADA

www.grpumps.com

Specifications Subject to Change Without Notice

Printed in U.S.A.

