

DS

# Self Priming Centrifugal Pump



Basic Pump  
Model T4A3S-B  
Size 4" x 4"



## PUMP SPECIFICATIONS

- Size:** 4" x 4" (101 mm x 101 mm) NPT - Female.
- Pump Casing:** Gray Iron No. 30. Maximum Operating Pressure 86 psi (593 kPa).\*
- Open Type, Two Vane Impeller:** Ductile Iron No. 65-45-12. Handles 3" (76,2 mm) Diameter Spherical Solids.
- Impeller Shaft:** Alloy Steel No. 4140.
- Replaceable Wear Plate:** Carbon Steel No. 1015.
- Removable Adjustable Cover Plate:** Gray Iron No. 30; 37 lbs. (17 kg).
- Flap Valve:** Neoprene w/Steel Reinforcing.
- Bearing Housing:** Gray Iron No. 30.
- Seal Plate:** Gray Iron No. 30.
- Shaft Sleeve:** Alloy Steel No. 4130.
- Radial Bearing:** Open Single Ball.
- Thrust Bearing:** Open Double Ball.
- Bearing and Seal Cavity Lubrication:** SAE No. 30 Non-Detergent Oil.
- Flanges:** 125# Gray Iron No. 30.
- Gaskets:** Buna-N, Compressed Synthetic Fibers, Vegetable Fiber, PTFE, Cork, and Rubber.
- O-Rings:** Buna-N.
- Hardware:** Standard Plated Steel.
- Brass Pressure Relief Valve.**
- Bearing and Seal Cavity Oil Level Sight Gauges.**
- Optional Equipment:** Automatic Air Release Valve. Metal Bellows Seal. 120V/240V Casing Heater. High Pump Temperature Shutdown Kit. Gray Iron No. 30 Suction and Discharge Spool Flanges;
- 4" ASA (**Specify Model T4A3S-B /F**).
- 100 mm DIN 2527 (**Specify Model T4A3S-B /FM**).

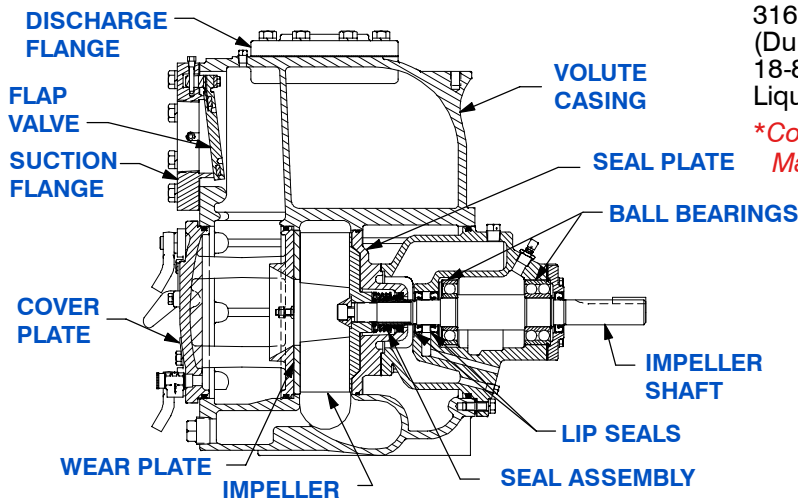


Shown with Optional Suction & Discharge Spool Flanges (Available in ASA or DIN Standard Sizes).

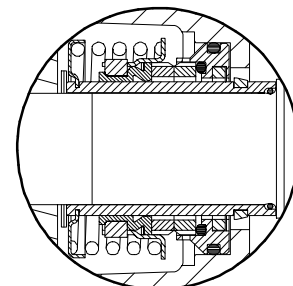
## SEAL SPECIFICATIONS

Cartridge Type, Mechanical, Oil-Lubricated, Double Floating, Self-Aligning. Tungsten Titanium Carbide Rotating and Stationary Faces. Stainless Steel No. 316 Stationary Seat. Fluorocarbon Elastomers (DuPont Viton® or Equivalent). Stainless Steel No. 18-8 Cage and Spring. Maximum Temperature of Liquid Pumped, 160°F (71°C).\*

*\*Consult Factory for Applications Exceeding Maximum Pressure and/or Temperature Indicated.*



## SEAL DETAIL



THE GORMAN-RUPP COMPANY • MANSFIELD, OHIO

GORMAN-RUPP OF CANADA LIMITED • ST. THOMAS, ONTARIO, CANADA

www.gormanrupp.com

Specifications Subject to Change Without Notice

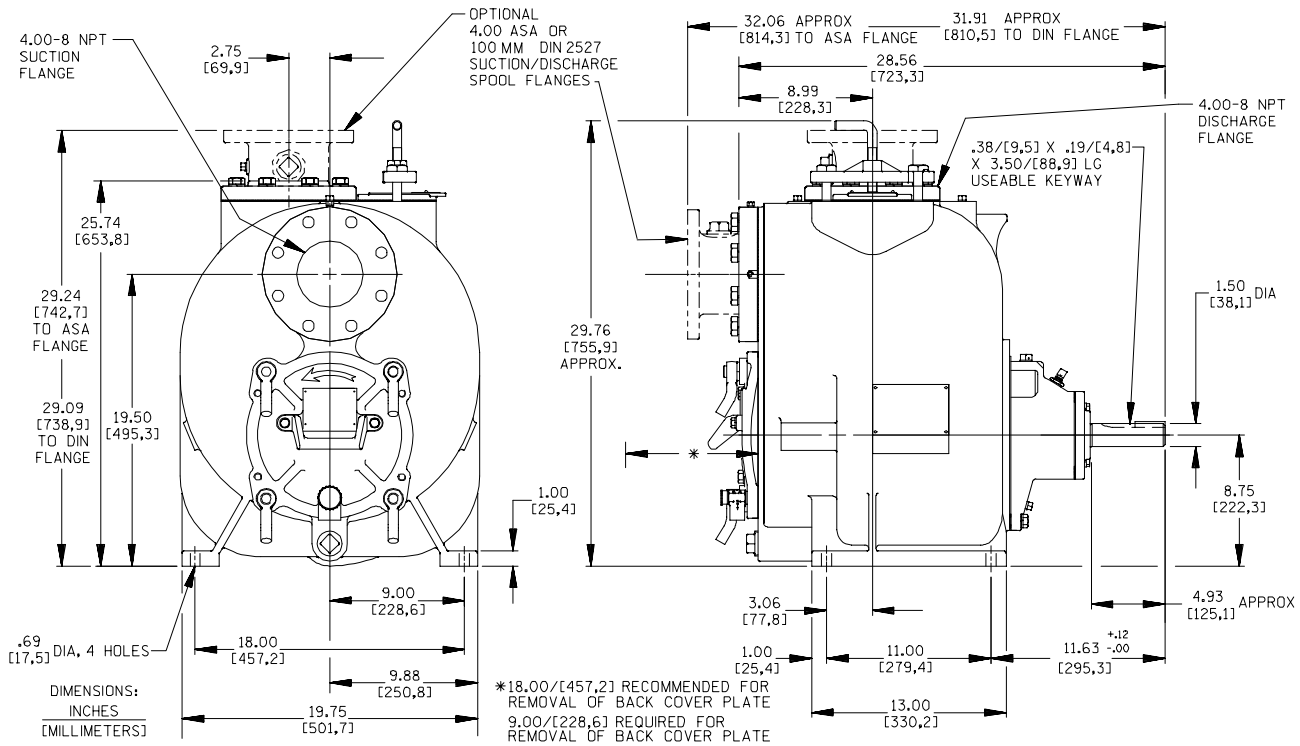
Printed in U.S.A.

**Specification Data**

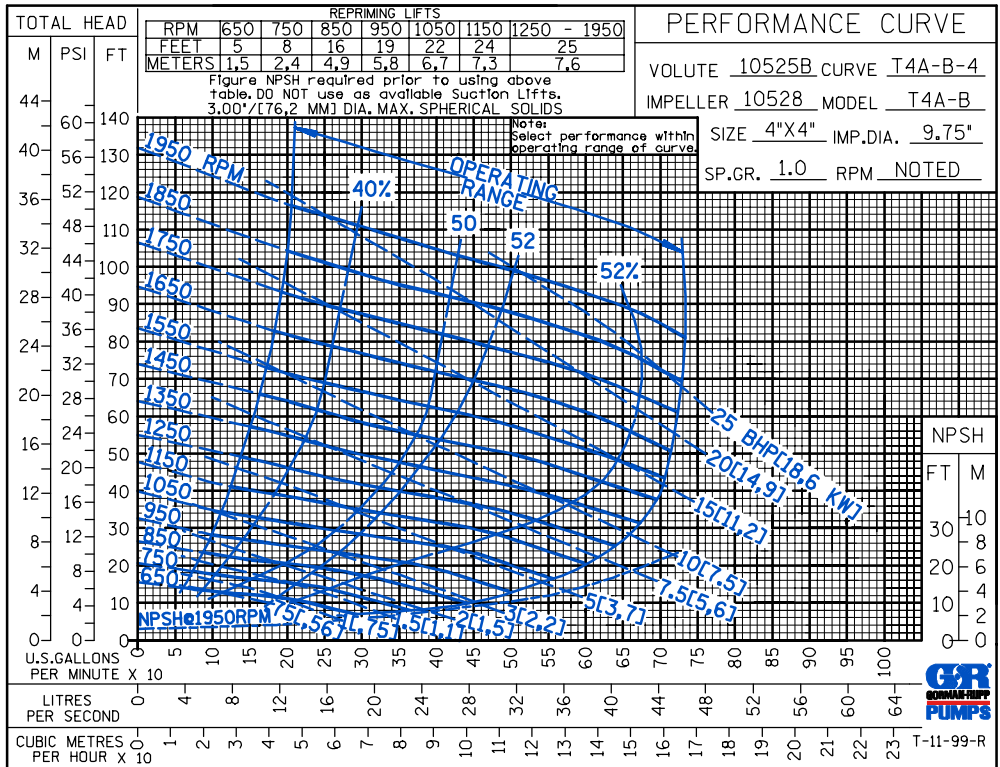
**SECTION 55, PAGE 2100**

**APPROXIMATE DIMENSIONS and WEIGHTS**

**NET WEIGHT: 575 LBS. (261 KG.)\***  
**SHIPPING WEIGHT: 614 LBS. (279 KG.)\***  
**EXPORT CRATE: 22.7 CU. FT. (0,6 CU. M.)**  
**\*ADD 15 LBS. (6,8 KG.) W/EACH SPOOL FLANGE**



**OPTIONAL ASA OR DIN STANDARD SUCTION & DISCHARGE SPOOL FLANGES AVAILABLE**



**THE GORMAN-RUPP COMPANY • MANSFIELD, OHIO**

GORMAN-RUPP OF CANADA LIMITED • ST. THOMAS, ONTARIO, CANADA

Specifications Subject to Change Without Notice

Printed in U.S.A.