

A B C D E

Basic Pedestal

Self Priming Centrifugal Pump

Models 82H3-B and 82H52-B

Size 2" x 2"

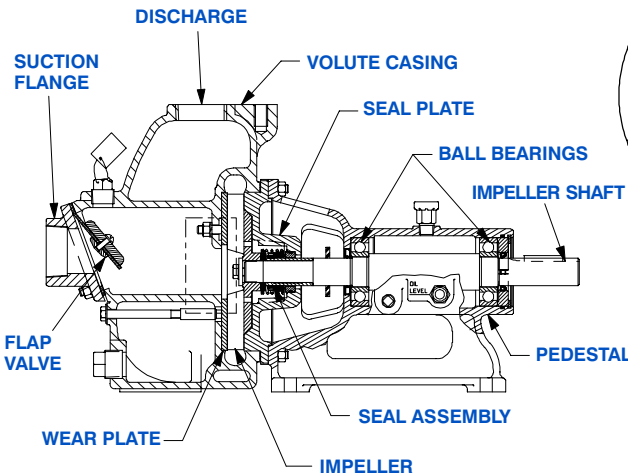


PUMP SPECIFICATIONS

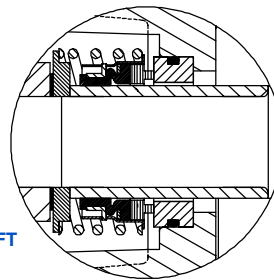
- Size:** 2" x 2" (51 mm x 51 mm) NPT - Female.
- Casing:** Gray Iron No. 30.
Maximum Operating Pressure 146 psi (1007 kPa)*.
- Semi-Open Type, Four Vane Impeller:** Gray Iron No. 30.
Handles 3/4" (19 mm) Diameter Spherical Solids.
- Impeller Shaft:** Carbon Steel No. 1045/1046.
- Shaft Sleeve:** Alloy Steel No. 4130.
- Replaceable Wear Plate:** Carbon Steel No. C1015.
- Pedestal:** Gray Iron No. 30.
- Seal Plate:** Gray Iron No. 30.
- Flap Valve:** Buna-N w/Nylon Reinforcement,
Gray Iron No. 30 and Steel.
- Radial and Thrust Bearings:** Open Single Row Ball.
- Bearing Lubrication:** SAE No. 30 Non-Detergent Oil.
- Flange:** Gray Iron No. 30.
- Gaskets:** Cork.
- Hardware:** Standard Plated Steel.
- Oil Level Sight Gauge.**
- Optional Equipment:**
90° Discharge Elbow. Strainer
Consult Factory for Additional Options.



**Consult Factory for Applications Exceeding Maximum Pressure and/or Temperature Indicated.*

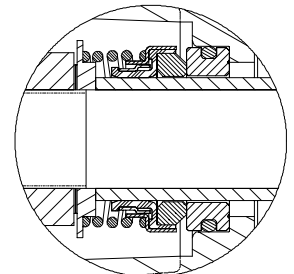


82H3-B SHOWN



82H3-B SEAL DETAIL Type 2, Mechanical, Self-Lubricated. Carbon Rotating Face. Ni-Resist Stationary Face. Fluorocarbon Elastomers. (DuPont Viton® or Equivalent). Stainless Steel No. 18-8 Cage and Spring. Maximum Temperature of Liquid Pumped, 160°F (71 °C).*

82H52-B SEAL DETAIL Type 31, Mechanical, Self-Lubricated. Silicon Carbide Rotating and Stationary Faces. Fluorocarbon Elastomers (DuPont Viton® or Equivalent). Stainless Steel No. 18-8 Cage and Spring. Maximum Temperature of Liquid Pumped 160°F (71°C).*



THE GORMAN-RUPP COMPANY • MANSFIELD, OHIO

GORMAN-RUPP OF CANADA LIMITED • ST. THOMAS, ONTARIO, CANADA

www.grpumps.com

Specifications Subject to Change Without Notice

Printed in U.S.A.

Specification Data

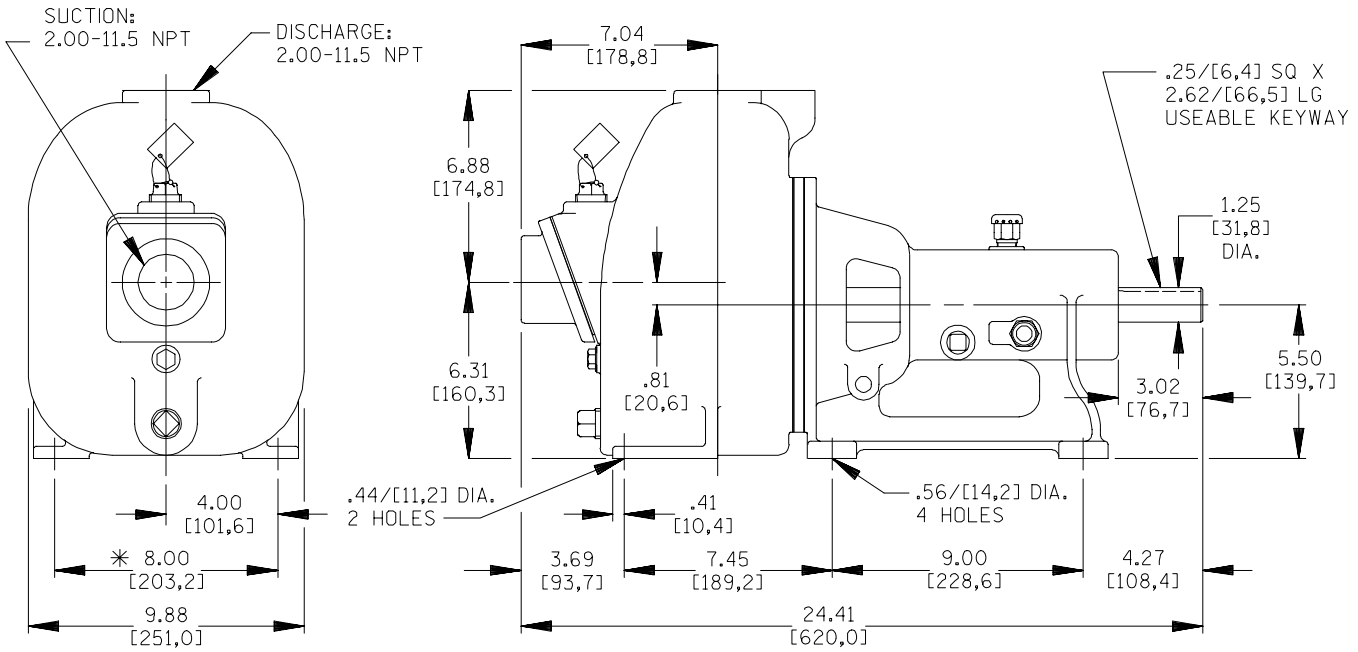
SECTION 50, PAGE 1301

APPROXIMATE DIMENSIONS and WEIGHTS

NET WEIGHT: 120 LBS. (54,4 KG.)

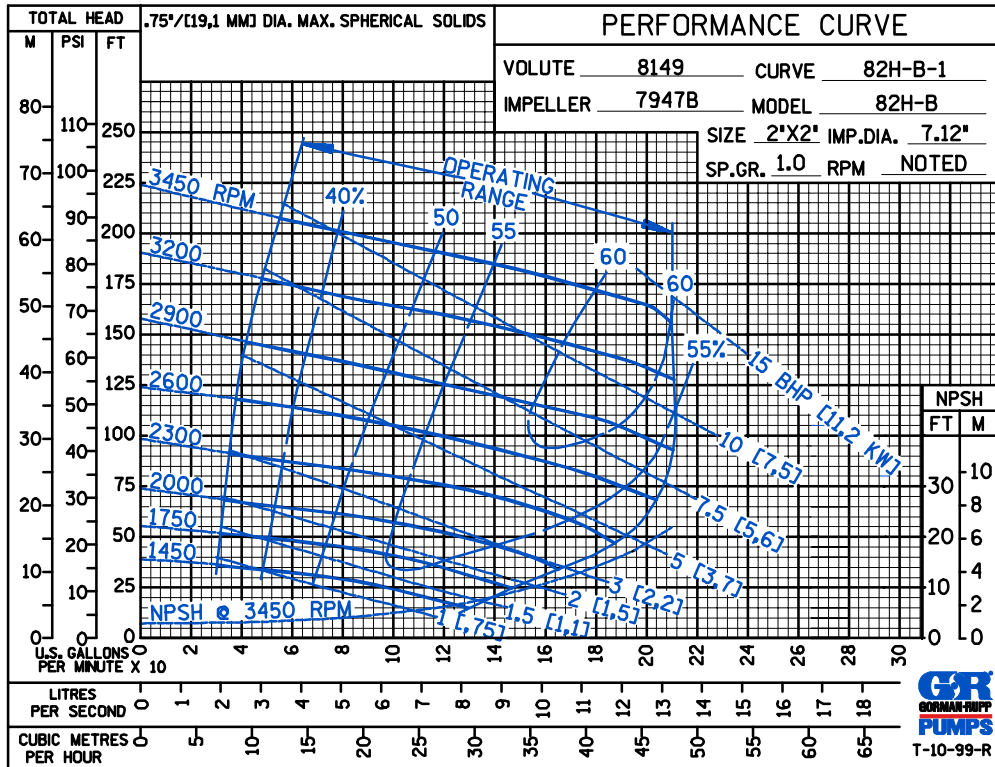
SHIPPING WEIGHT: 130 LBS. (58,9 KG.)

EXPORT CRATE: 12.5 CU. FT. (0,35 CU. M.)



DIMENSIONS:
INCHES
[MILLIMETERS]

* 8.00/[203,2] DISTANCE BETWEEN MOUNTING HOLES APPLIES TO VOLUTE AND PEDESTAL



THE GORMAN-RUPP COMPANY • MANSFIELD, OHIO

GORMAN-RUPP OF CANADA LIMITED • ST. THOMAS, ONTARIO, CANADA

Specifications Subject to Change Without Notice

Printed in U.S.A.