

C D F S W

Basic Pump

Self Priming Centrifugal Pump



Model U3A60S-B

Size 3" x 3"



PUMP SPECIFICATIONS

Size: 3" (76 mm) Flange Suction x 3" (76 mm) NPT Discharge.**Casing:** Gray Iron No. 30.

Maximum Operating Pressure 139 psi (958 kPa).*

Semi-Open Type, Six Vane Impeller: Ductile Iron 60-40-18.

Handles 13/16" (20,6 mm) Diameter Spherical Solids.

Impeller Shaft: Alloy Steel No. 4150.**Replaceable Wear Plate:** Gray Iron No. 30.**Removable Adjustable Cover Plate:** Gray Iron No. 30; 60 lbs. (27 kg).**Suction Extension Pipe:** Schedule 40 Steel ^{w/}Gray Iron Flange.**Bearing Housing:** Gray Iron No. 30.**Seal Plate:** Gray Iron No. 30.**Shaft Sleeve:** Alloy Steel No. 4130.**Radial Bearing:** Open Single Row Ball.**Thrust Bearing:** Open Double Row Ball.**Bearing and Seal Cavity Lubrication:** SAE No. 30 Non-Detergent Oil.**Flanges:** 125# Gray Iron No. 30.**Gaskets:** Cork, Rubber, Vegetable Fiber and PTFE.**O-Rings:** Buna-N and Fluorocarbon (DuPont Viton[®] or Equivalent).**Hardware:** Standard Plated Steel.**Brass Pressure Relief Valve.****Victaulic[®] Suction Coupling.****Bearing and Seal Cavity Oil Level Sight Gauges.****Optional Equipment:** Stainless Steel No. 316 Pressure Relief Valve.

G-R Hard Iron and Stainless Steel Impeller, Seal Plate, and Wear Plate.

Automatic Air Release Valve. 120V/240V Casing Heater. High Pump

Temperature Shutdown Kit. Permalon, Kalrez or Fluorocarbon Metal

Bellow Seals. Stainless Steel Cartridge Seal.

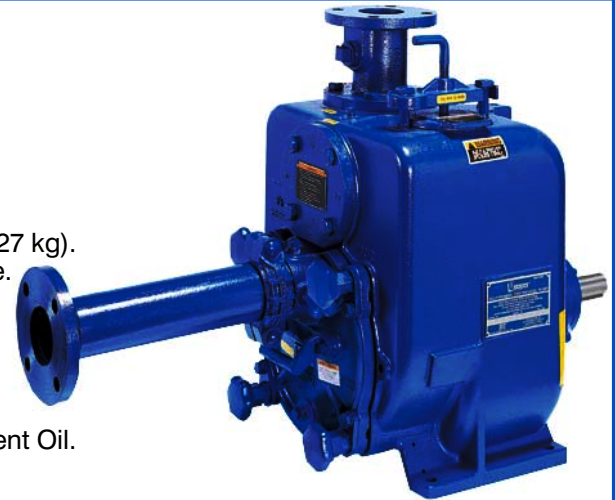
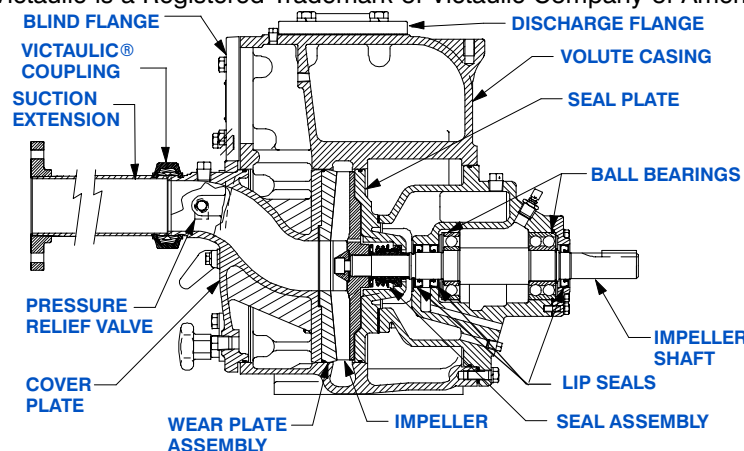
Discharge Spool Flange: Gray Iron No. 30.

3" ASA (**Specify Model U3A60-B /F**).

80 mm DIN 2527 (PN 16). Gray Iron No. 30 Suction and Discharge

Spool Flanges. (**Specify Model U3A60-B /FM**).***Consult Factory for Applications Exceeding Maximum Pressure and/or Temperature Indicated.**

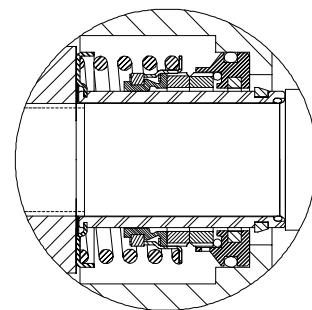
Victaulic is a Registered Trademark of Victaulic Company of America.

Shown w/Optional
Discharge Spool Flange

SEAL SPECIFICATIONS

Cartridge Type, Mechanical, Oil-Lubricated, Double Floating, Self-Aligning. Silicon Carbide Rotating and Stationary Faces. Stainless Steel No. 316 Stationary Seat. Fluorocarbon Elastomers (DuPont Viton[®] or Equivalent). Stainless Steel No. 18-8 Cage and Spring. Maximum Temperature of Liquid Pumped, 160°F (71°C).*

SEAL AREA DETAIL



THE GORMAN-RUPP COMPANY • MANSFIELD, OHIO

GORMAN-RUPP OF CANADA LIMITED • ST. THOMAS, ONTARIO, CANADA

www.gormanrupp.com

Specifications Subject to Change Without Notice

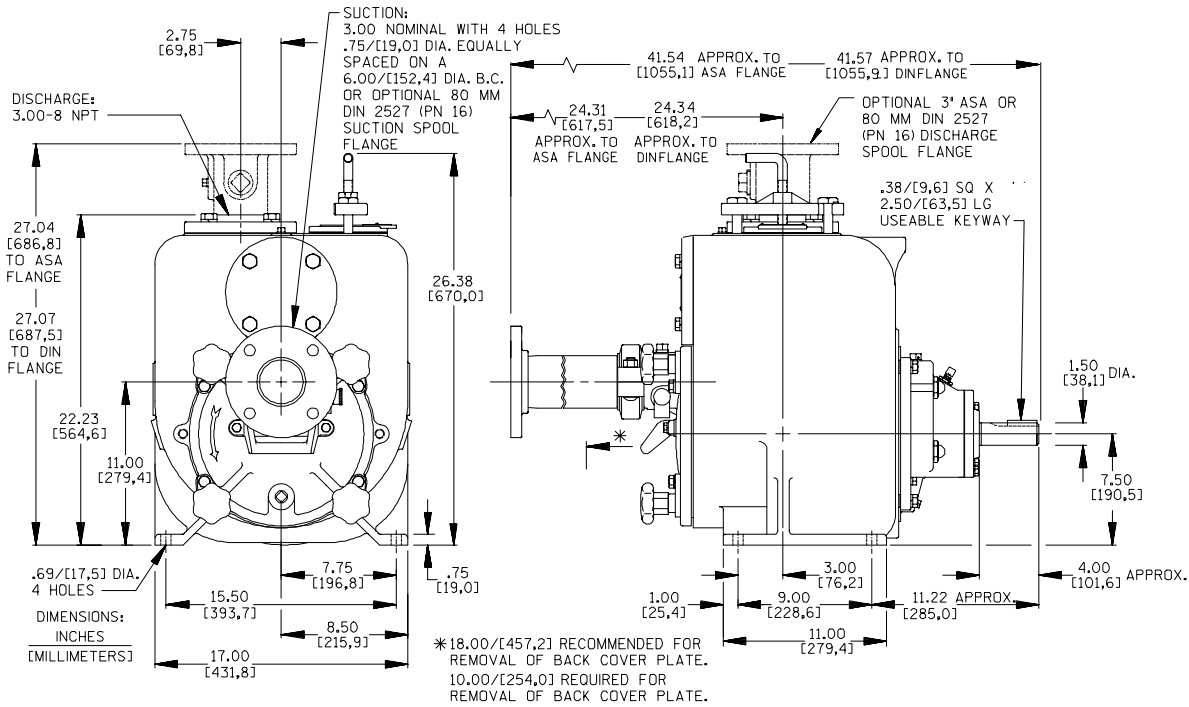
Printed in U.S.A.

Specification Data

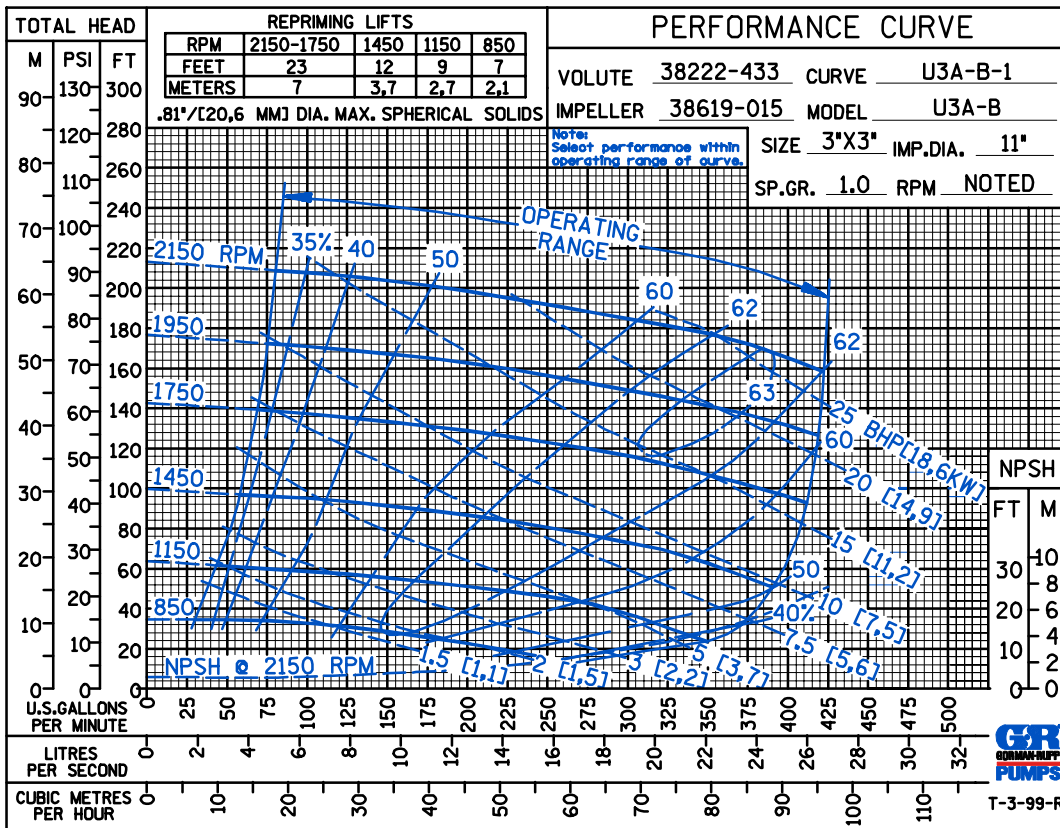
SECTION 50, PAGE 2700

APPROXIMATE DIMENSIONS and WEIGHTS

NET WEIGHT: 511 LBS. (231 KG.)
SHIPPING WEIGHT: 531 LBS. (241 KG.)
EXPORT CRATE: 20 CU. FT. (0,59 CU. M.)



NOTE: OPTIONAL ASA OR DIN STANDARD SPOOL FLANGES AVAILABLE



THE GORMAN-RUPP COMPANY • MANSFIELD, OHIO

GORMAN-RUPP OF CANADA LIMITED • ST. THOMAS, ONTARIO, CANADA

Specifications Subject to Change Without Notice

Printed in U.S.A.

CDSW

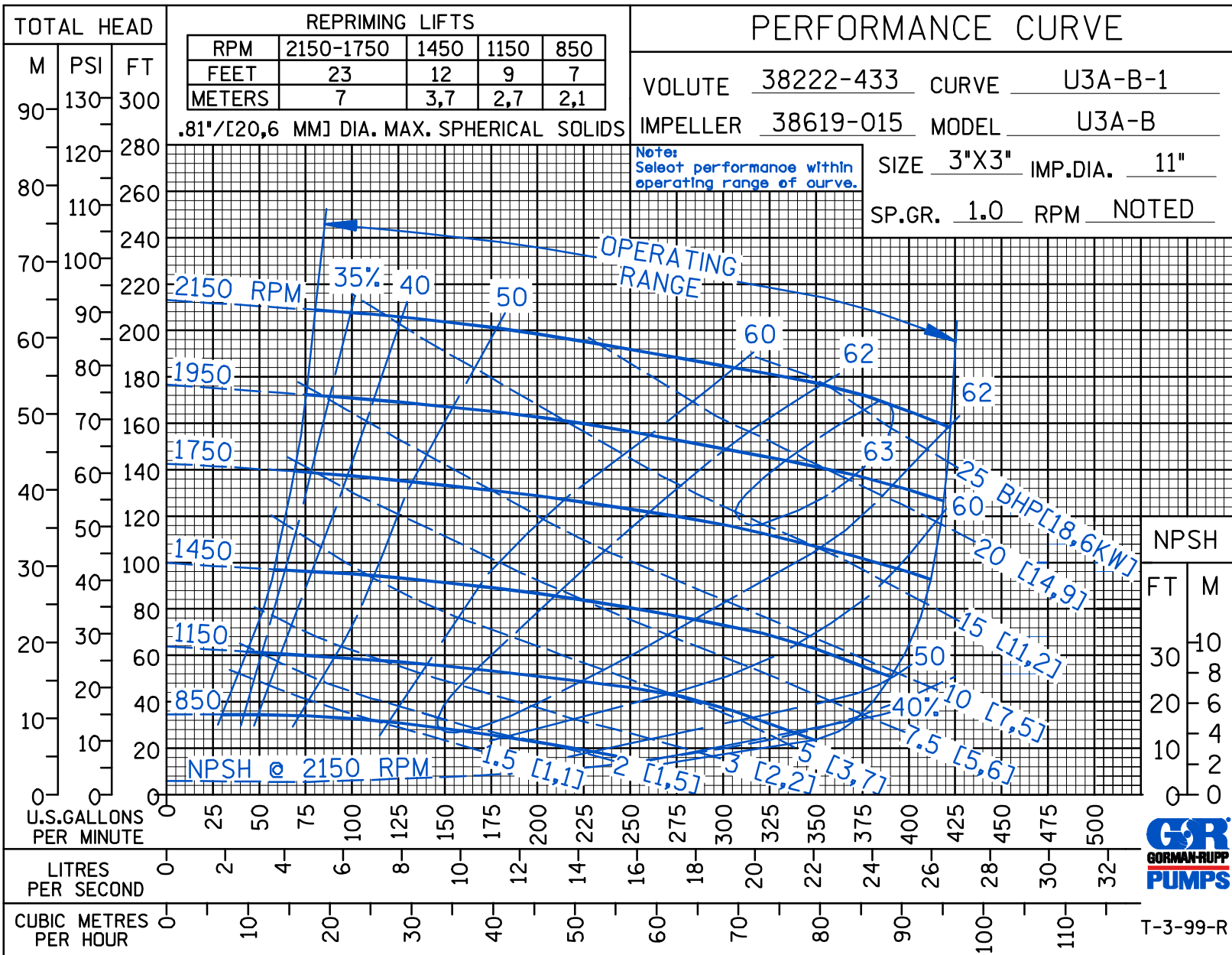
PERFORMANCE CURVE

VOLUTE 38222-433 CURVE U3A-B-1
 IMPELLER 38619-015 MODEL U3A-B
 SIZE 3"X3" IMP.DIA. 11"
 SP.GR. 1.0 RPM NOTED

REPRIMING LIFTS				
RPM	2150-1750	1450	1150	850
FEET	23	12	9	7
METERS	7	3,7	2,7	2,1

.81"/[20,6 MM] DIA. MAX. SPHERICAL SOLIDS

Note:
Select performance within
operating range of curve.



T-3-99-R



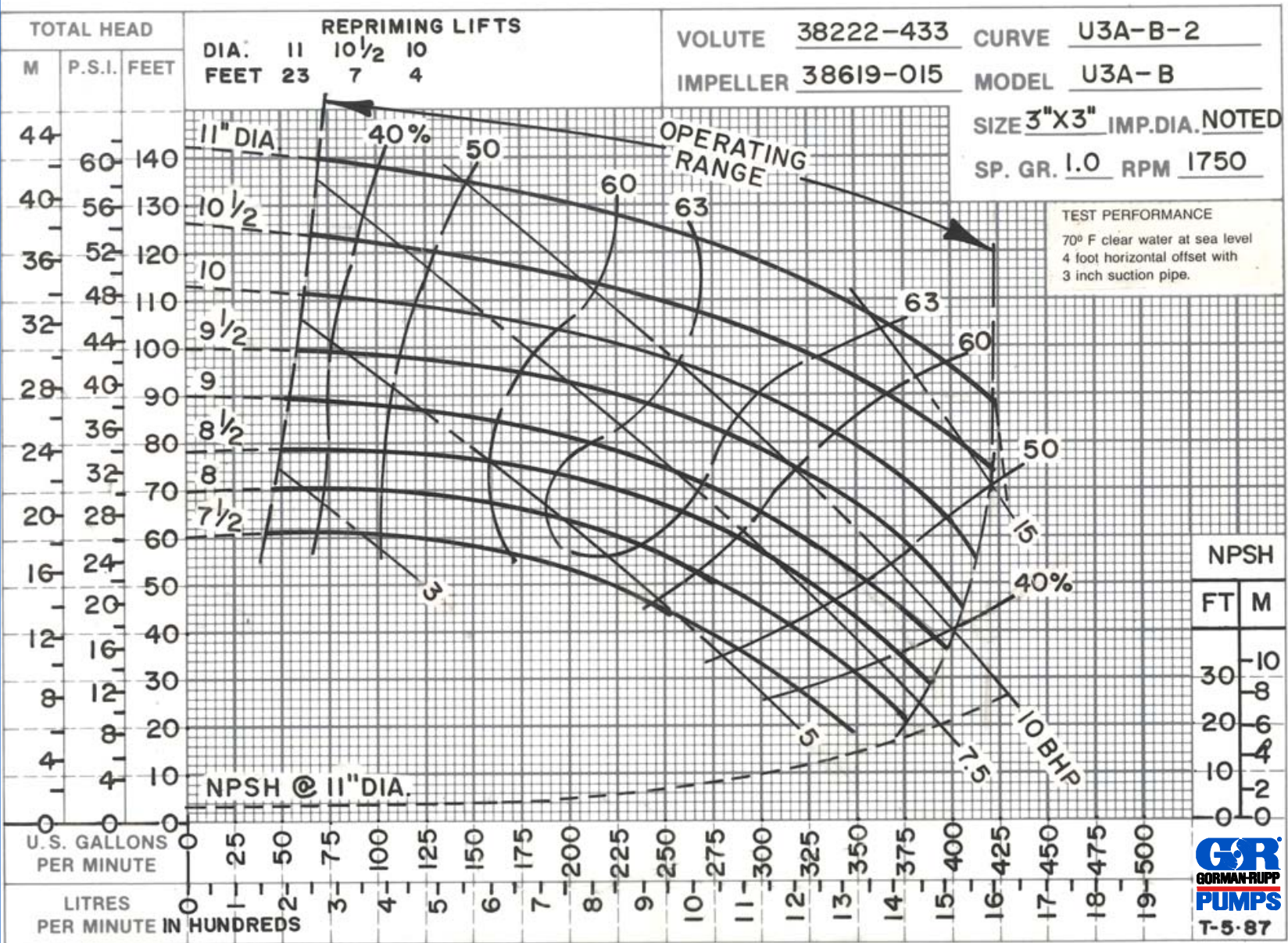
THE GORMAN-RUPP COMPANY • MANSFIELD, OHIO

GORMAN-RUPP OF CANADA LIMITED • ST. THOMAS, ONTARIO, CANADA

www.grpumps.com

Specifications Subject to Change Without Notice

Printed in U.S.A.

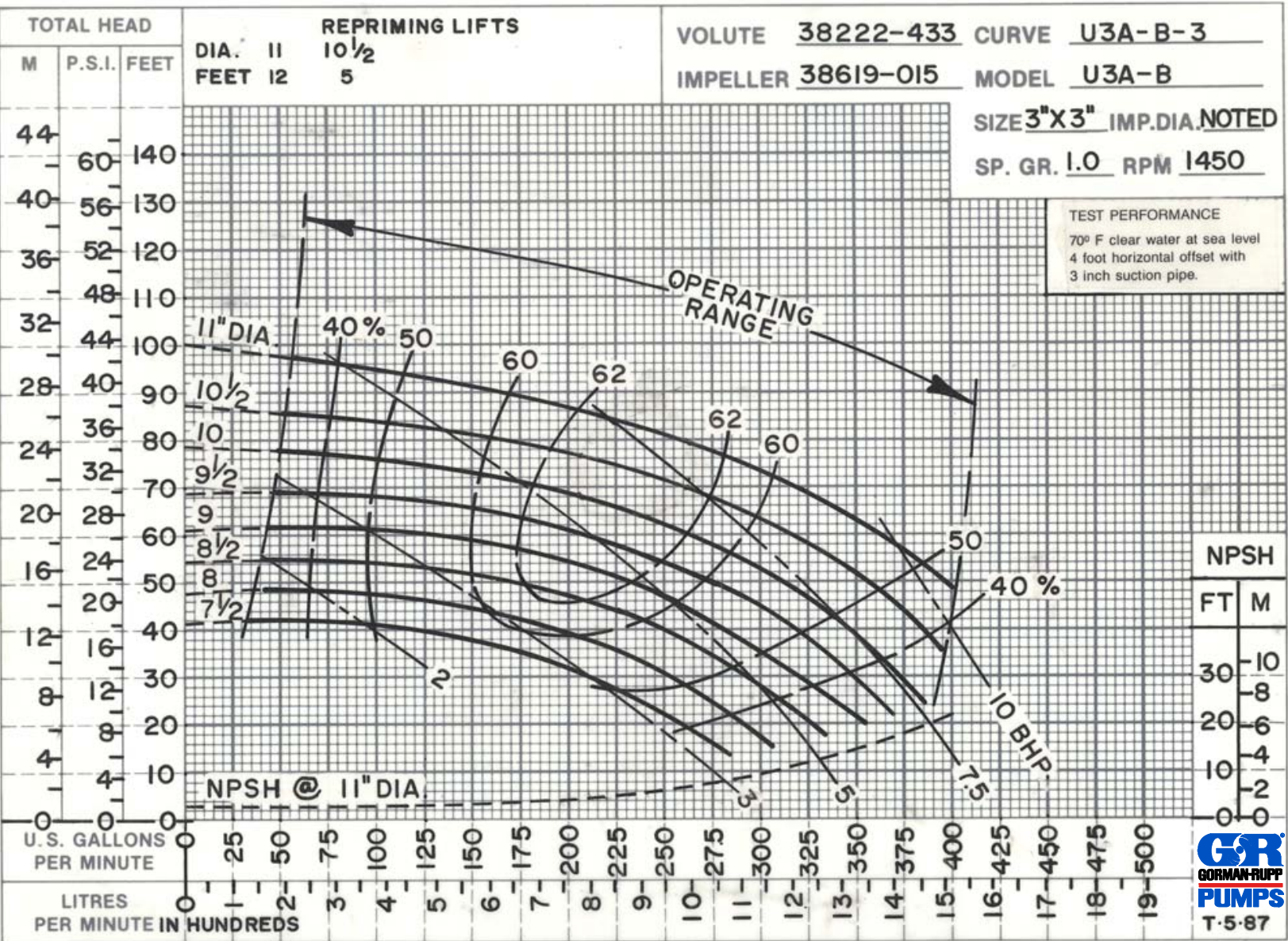


THE GORMAN-RUPP COMPANY • MANSFIELD, OHIO
 GORMAN-RUPP OF CANADA LIMITED • ST. THOMAS, ONTARIO, CANADA

www.grpumps.com
 Specifications Subject to Change Without Notice

Printed in U.S.A.





THE GORMAN-RUPP COMPANY • MANSFIELD, OHIO

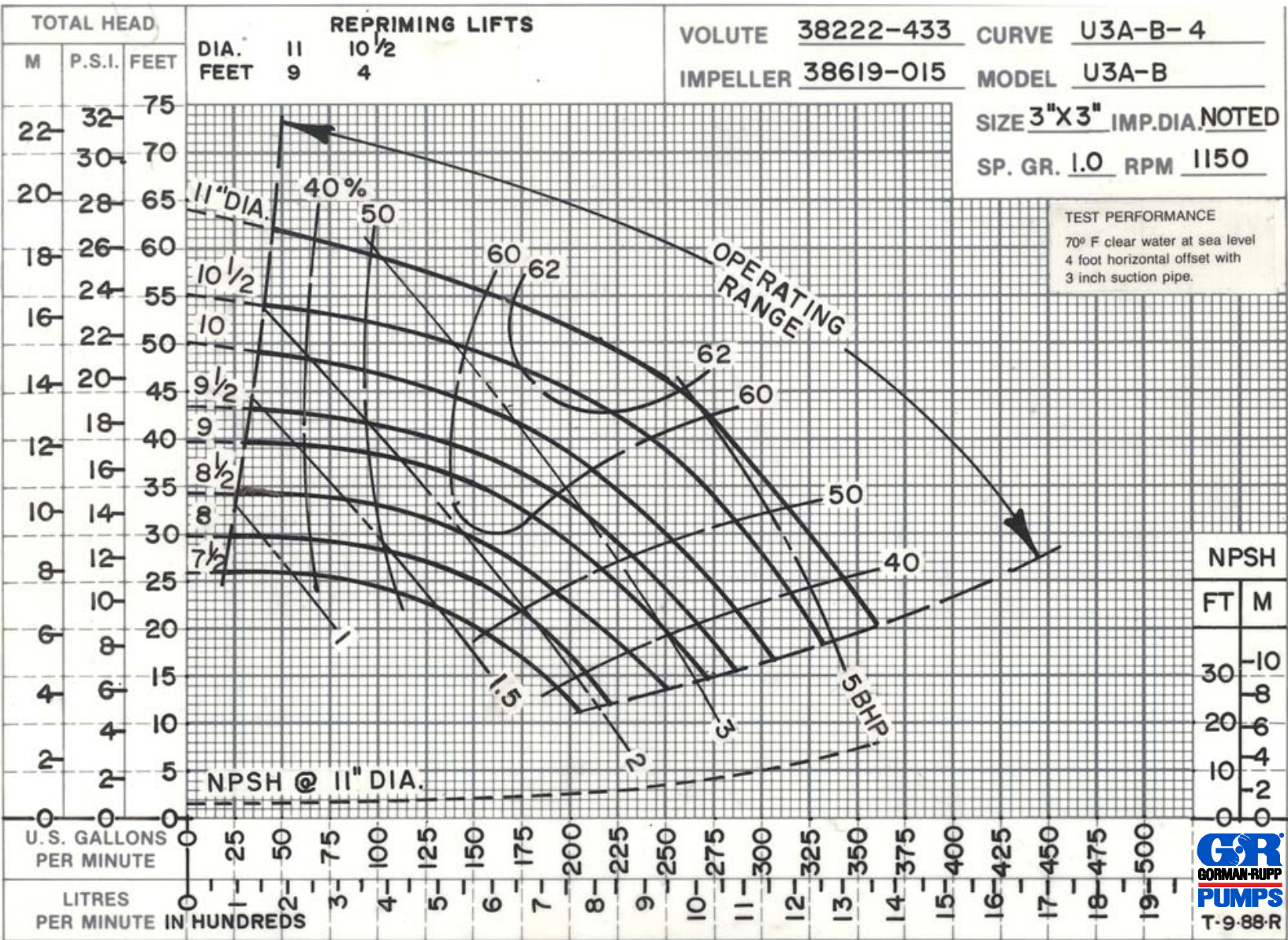
GORMAN-RUPP OF CANADA LIMITED • ST. THOMAS, ONTARIO, CANADA

www.grpumps.com

Specifications Subject to Change Without Notice

Printed in U.S.A.

CDSW



THE GORMAN-RUPP COMPANY • MANSFIELD, OHIO
GORMAN-RUPP OF CANADA LIMITED • ST. THOMAS, ONTARIO, CANADA

www.grpumps.com
Specifications Subject to Change Without Notice

Printed in U.S.A.