

# PS2 Rotho peristaltic pump / Industry

ROTHO® PERISTALTIC PUMP / SERIES AND MODELS FOR INDUSTRY / PS 2



Flow rate from 8 to 712 L/h

Pressure up to 8 - 15 bars

Tube diameter 16 mm

**HYDRO**  
**INNOVATIONS**

**SAFER, MORE EFFECTIVE PUMPING SYSTEMS**

Head Office: 21-23 Clyde St, Rydalmere 2116 (02) 9898 1800

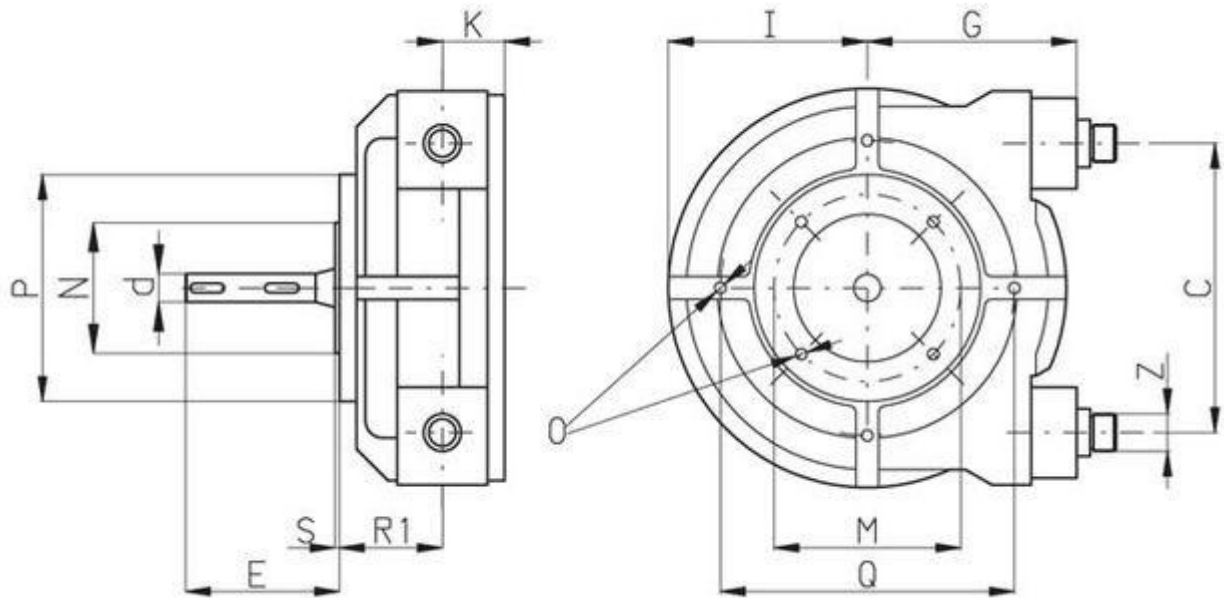
[www.HydroInnovations.com.au](http://www.HydroInnovations.com.au)

NSW: 0410 529 856

VIC/TAS: 0404 450 531

QLD: 0410 529 855

SA/WA/NT: 0425 128 191



**Z UNI338:** 3/4" BSP

**E:** 84

**d j6:** 18

**M:** 87

**N f7:** 60

**P:** 140

**O:** M8

**I:** 120

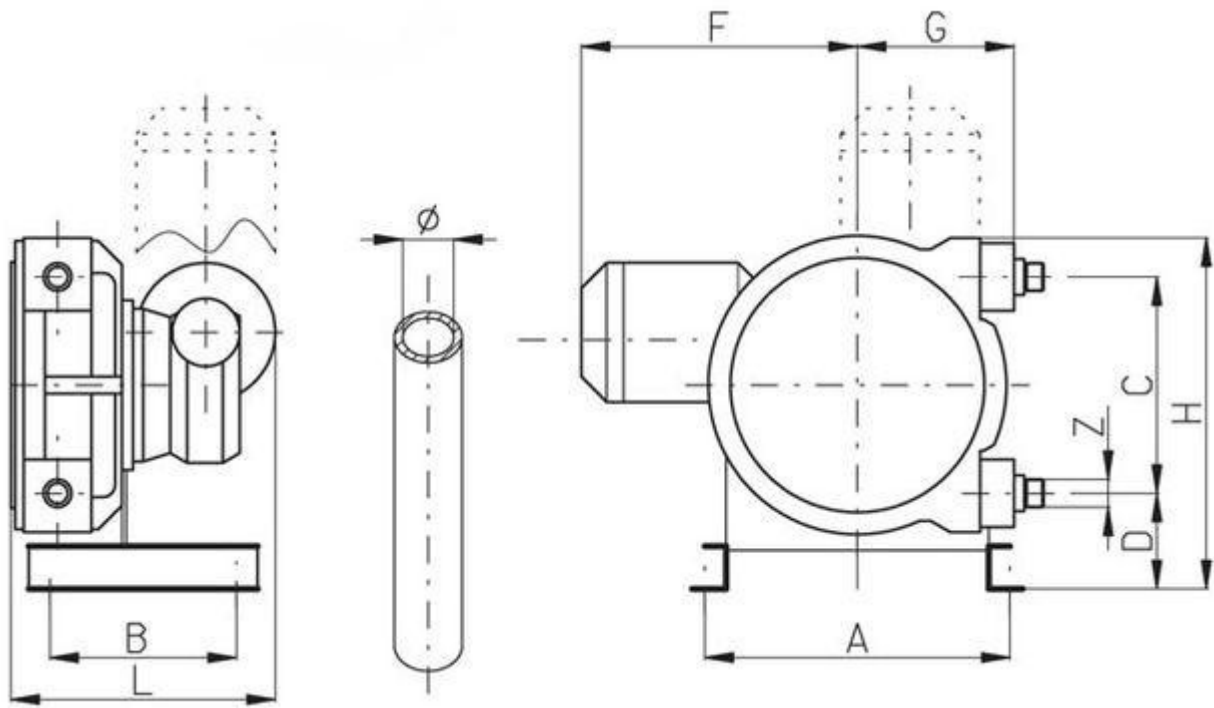
**R1:** 83

**Q:** 180

**S:** 3

**K:** 41

Dimensions



**Ø mm:** 16

**Z UNI338:** 3/4" BSP

**LT/RPM:** 0.093

**MAX BAR:** 8

**A mm:** 230

**B:** 160

**C:** 170

**D:** 110

**F:** 290

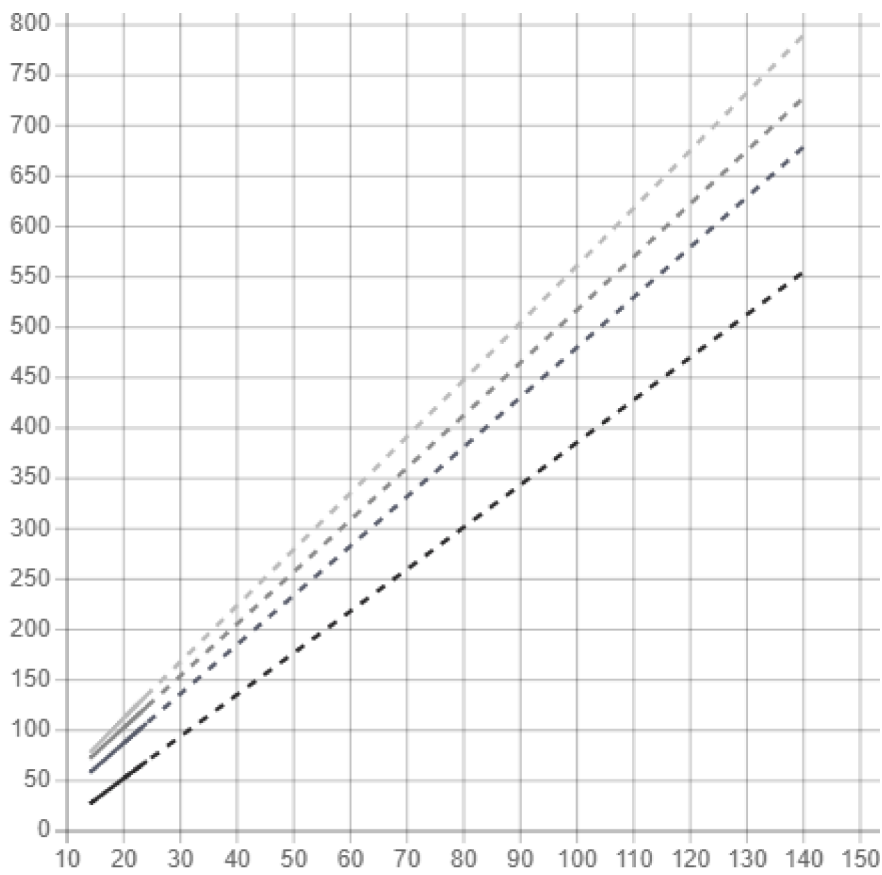
**G:** 140

**H:** 315

**L:** 242

Flow rate

Lt/h



RPM

2 BAR

4 BAR

8 BAR

12 BAR

Service H24

Service 1H stop - 1H start

## Rotho® peristaltic pumps

Contact us indicating the material to pump. We will send you an offer for the most efficient model for your use.



[ask for an offer](#)

[all models](#)

**RAGAZZINI s.r.l**

Via A. Volta, 8 - 48018 FAENZA (RA) - Italy

Tel. +39 0546 620433

Fax +39 0546 621394

E-mail [rotho\(at\)ragazzini.it](mailto:rotho(at)ragazzini.it)

Tax and VAT no. IT00080310394 • Company capital €104000 fully paid up • A.E.R. no.60311 Comp. Reg. Ra 3142 - EXPORT RA 000124

© All rights reserved

---

powered by