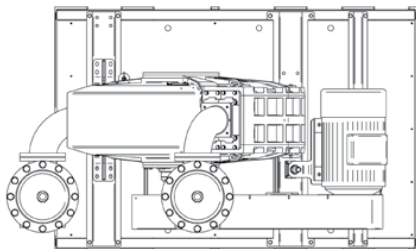
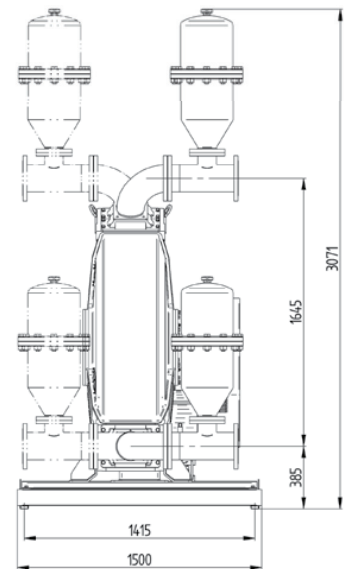
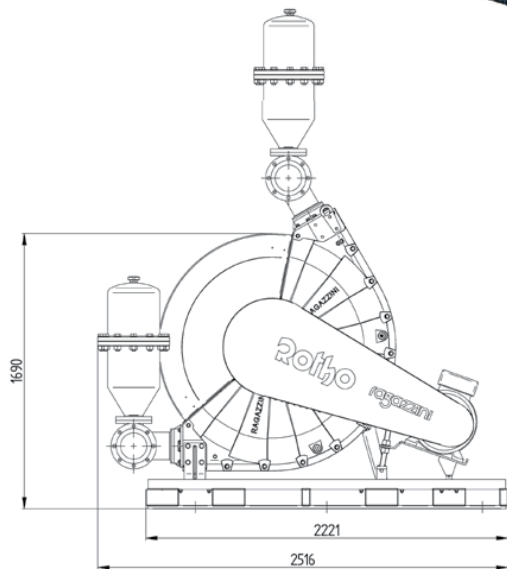
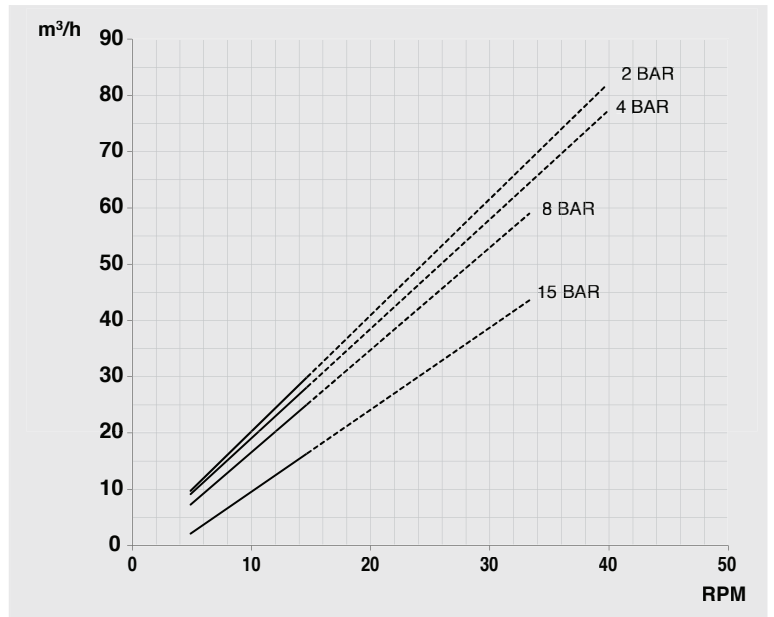


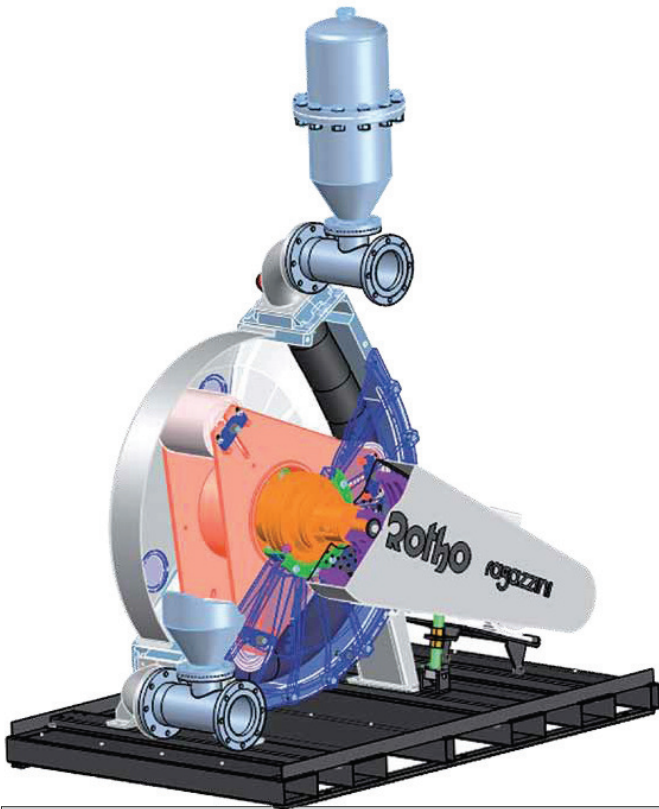
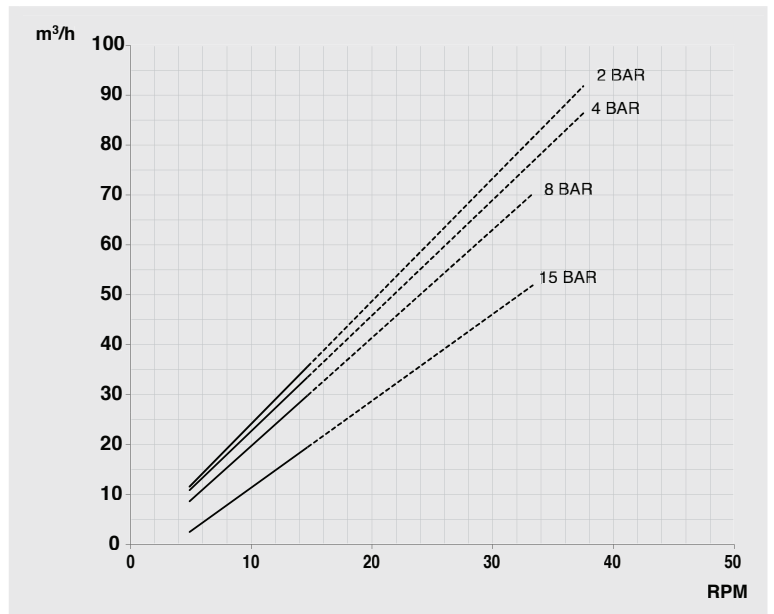
# SR1 - SR2



# SR1



# SR2



|                     | SR1   | SR2   |
|---------------------|-------|-------|
| HOSE DIAMETER       | DN114 | DN127 |
| MAX CAPACITY m³/h   | 80    | 90    |
| MAX RPM             | 40    | 37,5  |
| MAX PRESSURE BAR    | 15    | 15    |
| MAX POWER Kw        | 30    | 55    |
| ANSI FL. CONNECTION | 4"    | 5"    |