



VARIOUS PATENTS APPLY

Self Priming Centrifugal Pump

Model T6C60SC-B

Size 6" x 6"



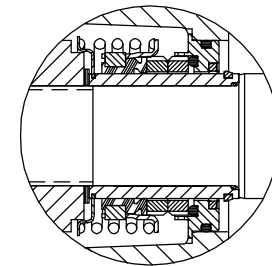
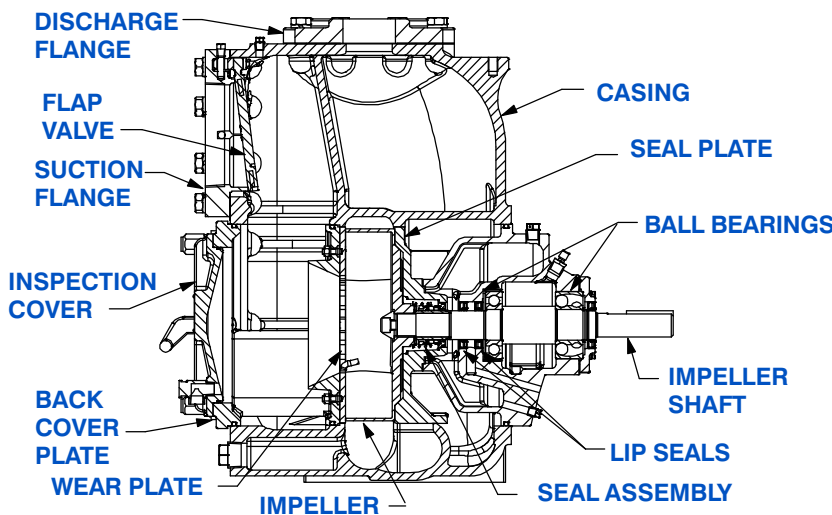
PUMP SPECIFICATIONS

- Size:** 6" x 6" (152 mm x 152 mm) NPT - Female.
- Casing:** Gray Iron 30.
- Maximum Operating Pressure** 78 psi (538 kPa).*
- Semi-Open Type, Two Vane Impeller:** Ductile Iron 65-45-12.
Handles 3" (76,2 mm) Diameter Spherical Solids.
- Impeller Shaft:** Alloy Steel 4150.
- Shaft Sleeve:** Alloy Steel 4130.
- Replaceable Self-Cleaning Wear Plate:** Carbon Steel ASTM A6.
- Adjustable Back Cover Plate:** Gray Iron 30.
- Removable Inspection Cover Plate:** Gray Iron 30; 20 lbs. (9,1 kg.).
- Flap Valve:** Neoprene ^W/Nylon and Steel Reinforcing.
- Seal Plate:** Gray Iron 30.
- Bearing Housing:** Gray Iron 30.
- Radial Bearing:** Open Single Row Ball.
- Thrust Bearing:** Open Double Row Ball.
- Bearing and Seal Cavity Lubrication:** SAE 30 Non-Detergent Oil.
- Flanges:** Gray Iron 30.
- Gaskets:** Buna-N, Compressed Synthetic Fibers, Vegetable Fiber, PTFE, Cork, and Rubber.
- O-Rings:** Buna-N.
- Hardware:** Standard Plated Steel.
- Brass Pressure Relief Valve.**
- Bearing and Seal Cavity Oil Level Sight Gauges.**
- Optional Equipment:** Tungsten Titanium Carbide Seal. Metal Bellows Seal. Automatic Air Release Valve. 120V/240V Casing Heater. High Pump Temperature Shutdown Kit. G-R Hard Iron Casing. Gray Iron 30 Suction and Discharge Spool Flanges:
6" ASA (**Specify Model T6C60SC-B /F**).
150 mm DIN 2527 (PN 16) (**Specify Model T6C60SC-B /FM**).



Shown with Optional Suction and Discharge Spool Flanges (Available in ASA or DIN Standard Sizes).

*Consult Factory for Applications Exceeding Maximum Pressure and/or Temperature Indicated.



SEAL DETAIL

Cartridge Type, Mechanical, Oil-Lubricated, Double Floating, Self-Aligning. Silicon Carbide Rotating and Stationary Faces. Stainless Steel 316 Stationary Seat. Fluorocarbon Elastomers (DuPont Viton[®] or Equivalent). Stainless Steel 18-8 Cage and Spring. Maximum Temperature of Liquid Pumped, 160°F (71°C).*



GORMAN-RUPP PUMPS

www.grpumps.com

Specifications Subject to Change Without Notice

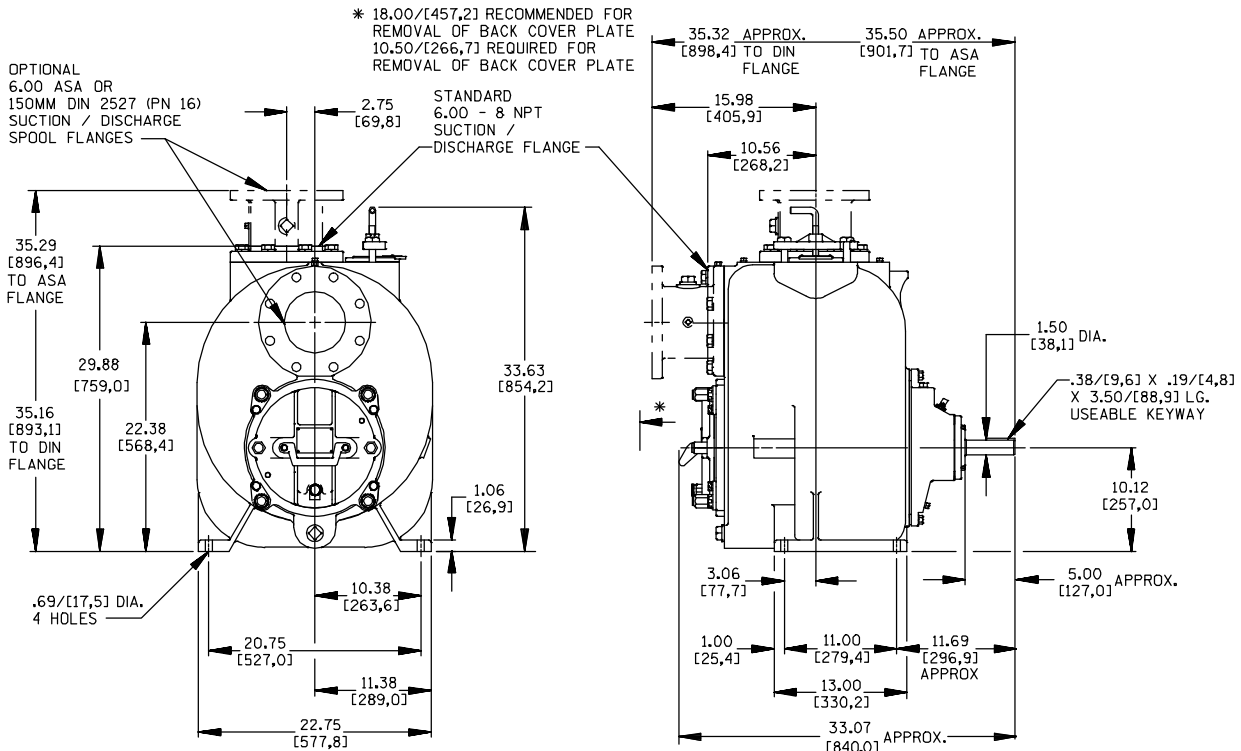
Printed in U.S.A.

Specification Data

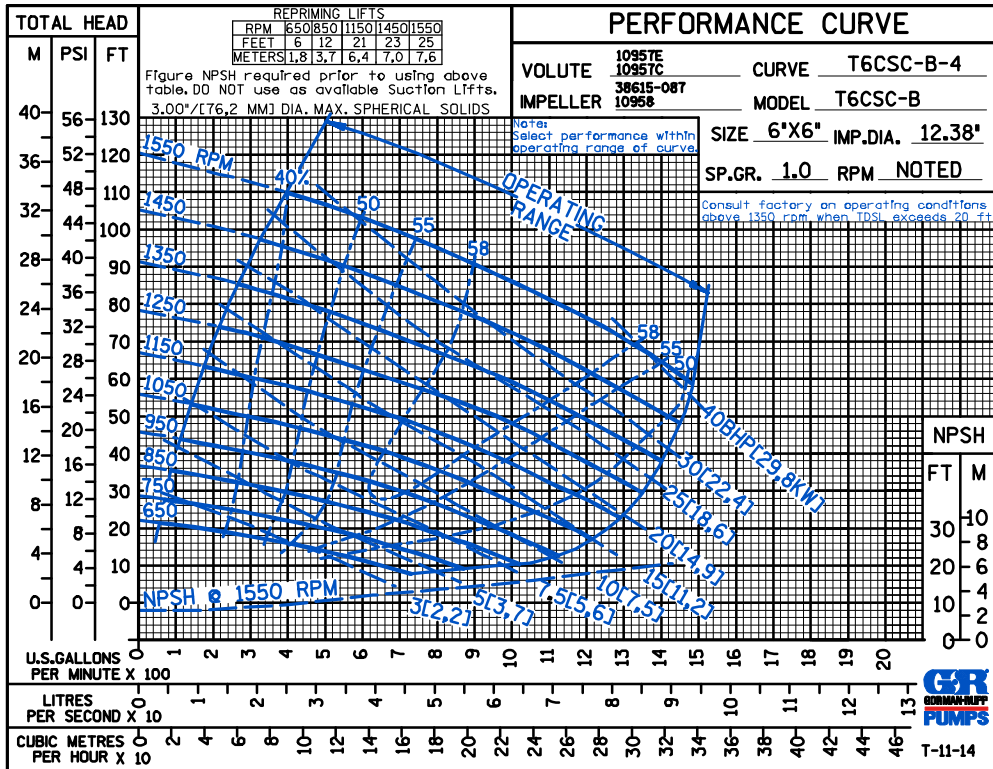
SECTION 55, PAGE 2285

APPROXIMATE DIMENSIONS and WEIGHTS

NET WEIGHT: 880 LBS. (408 KG.)*
SHIPPING WEIGHT: 960 LBS. (302 KG.)*
EXPORT CRATE: 32.5 CU. FT. (0,92 CU. M.)
***ADD 25 LBS. (11,3 KG.) W/EACH SPOOL FLANGE**



OPTIONAL ASA OR DIN STANDARD SUCTION & DISCHARGE SPOOL FLANGES AVAILABLE



GORMAN-RUPP PUMPS

www.grpumps.com

Specifications Subject to Change Without Notice

Printed in U.S.A.