

Priming Assisted Centrifugal Pump



Model PAH10A60C-B

Size 12" x 10"

**PUMP SPECIFICATIONS****Size:** 12" x 10" (305 mm x 254 mm) Flanged.**Casing:** Ductile Iron 65-45-12.

Maximum Casing Pressure 351 psi (2420 kPa).*

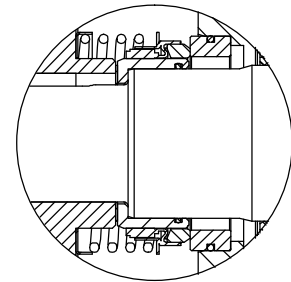
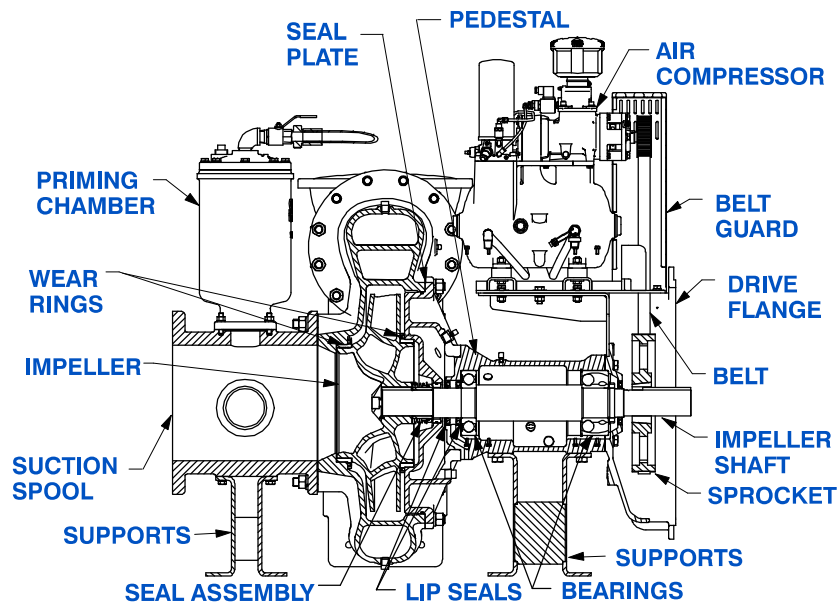
Maximum Operating Pressure 250 psi (1723 kPa) at Temperatures up to 100° F (37° C) Based on System Component Limitations.*

Enclosed Type, Four Vane Impeller: Ductile Iron 80-55-06.

Handles 2" (50,8 mm) Diameter Spherical Solids.

Suction Spool: Gray Iron 30.**Impeller Shaft:** Alloy Steel 4150M.**Replaceable Wear Rings:** Ductile Iron 65-45-12.**Pedestal:** Gray Iron 30.**Seal Plate:** Ductile Iron 65-45-12.**Shaft Sleeve:** Stainless Steel 303/304.**Priming Chamber:** Gray Iron 30 Housing w/Stainless Steel Float and Linkage.**Discharge Check Valve:** Ductile Iron Housing w/Buna-N Flapper.**Radial Bearing:** Open Single Row Ball.**Radial and Thrust Bearing:** Open Double Row Ball.**Bearing and Seal Cavity Lubrication:** SAE 30 Non-Detergent Oil.**Gaskets:** Resistant Synthetic Rubber, Vegetable Fiber w/Compressed Synthetic Fibers.**O-Rings:** Buna-N.**Hardware:** Standard Plated Steel.**Bearing and Seal Cavity Oil Level Sight Gauges.****Consult Factory for Applications Exceeding Maximum Pressure and/or Temperature Indicated.***Standard Equipment:** Belt Driven Air Compressor (12 Volt Power Supply Required - to be Supplied by End User). Strainer.**Optional Equipment:** Base. NPT Threaded Flange Kit. Coupling. TE-FC Motor. Heated Priming Chamber Kit. Suction Vacuum and Discharge Pressure Gauge Kit.

Photo Unavailable at Publishing

**SEAL DETAIL**

Mechanical, Oil-Lubricated. Silicon Carbide Rotating Face and Stationary Seat. Fluorocarbon Elastomers (DuPont Viton® or Equivalent). Stainless Steel 316 Cage and Stainless Steel 18-8 Spring. Maximum Temperature of Liquid Pumped 160°F (71°C).*



GORMAN-RUPP PUMPS

www.grpumps.com

Specifications Subject to Change Without Notice

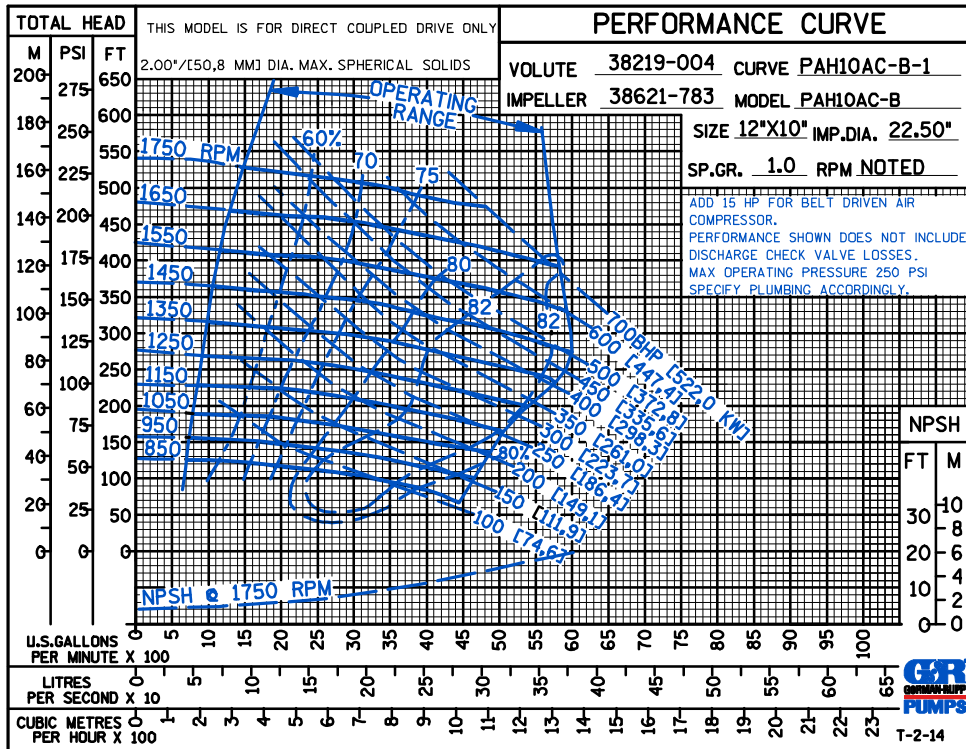
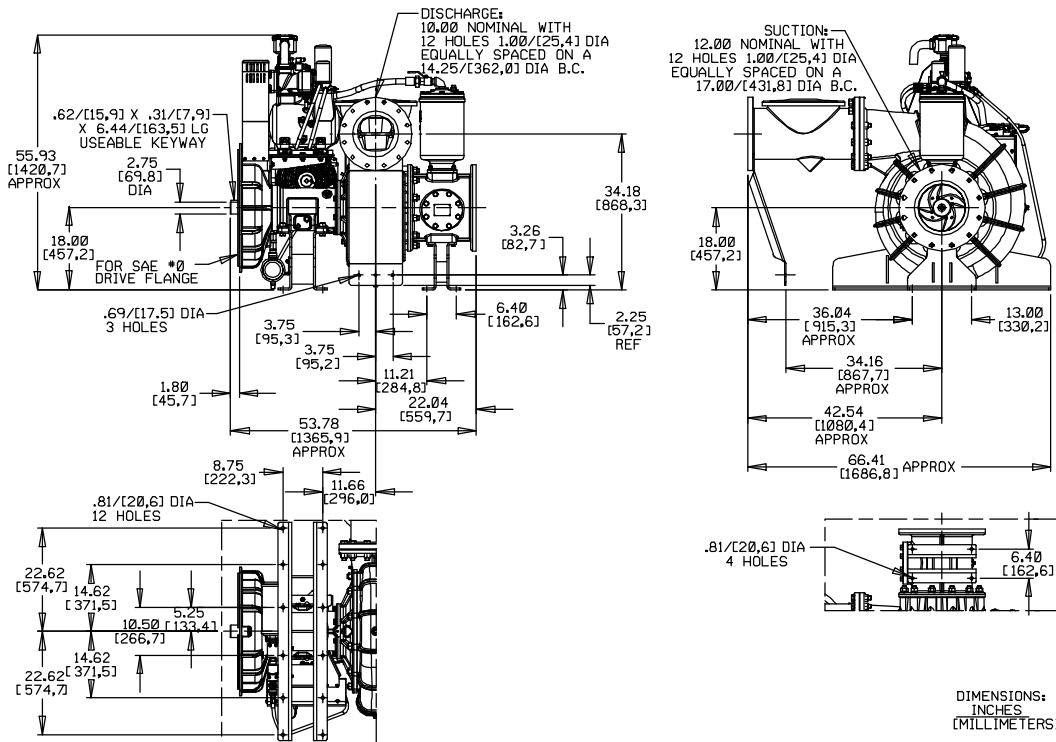
Printed in U.S.A.

Specification Data

SECTION 43, PAGE 520

APPROXIMATE
DIMENSIONS and WEIGHTS

NET WEIGHT: 2700 LBS. (1225 KG.)
SHIPPING WEIGHT: 2900 LBS. (1315 KG.)
EXPORT CRATE SIZE: 156 CU. FT. (4,4 CU. M.)



GORMAN-RUPP PUMPS

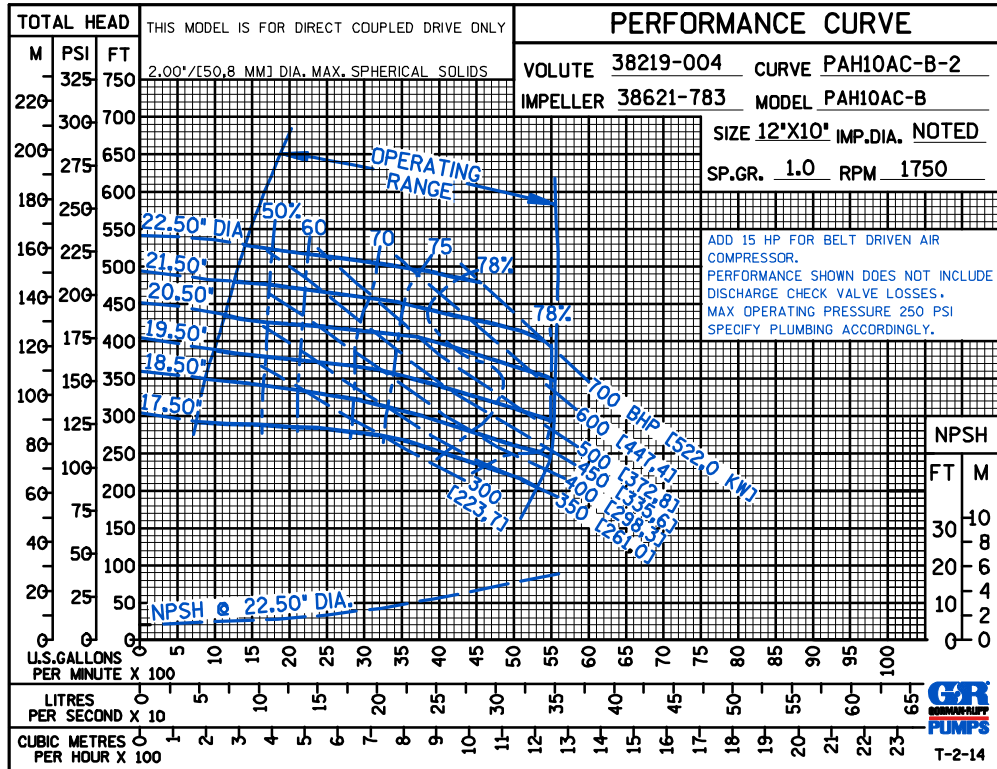
www.grpumps.com

Specifications Subject to Change Without Notice

Printed in U.S.A.

PERFORMANCE
BASED ON
WATER

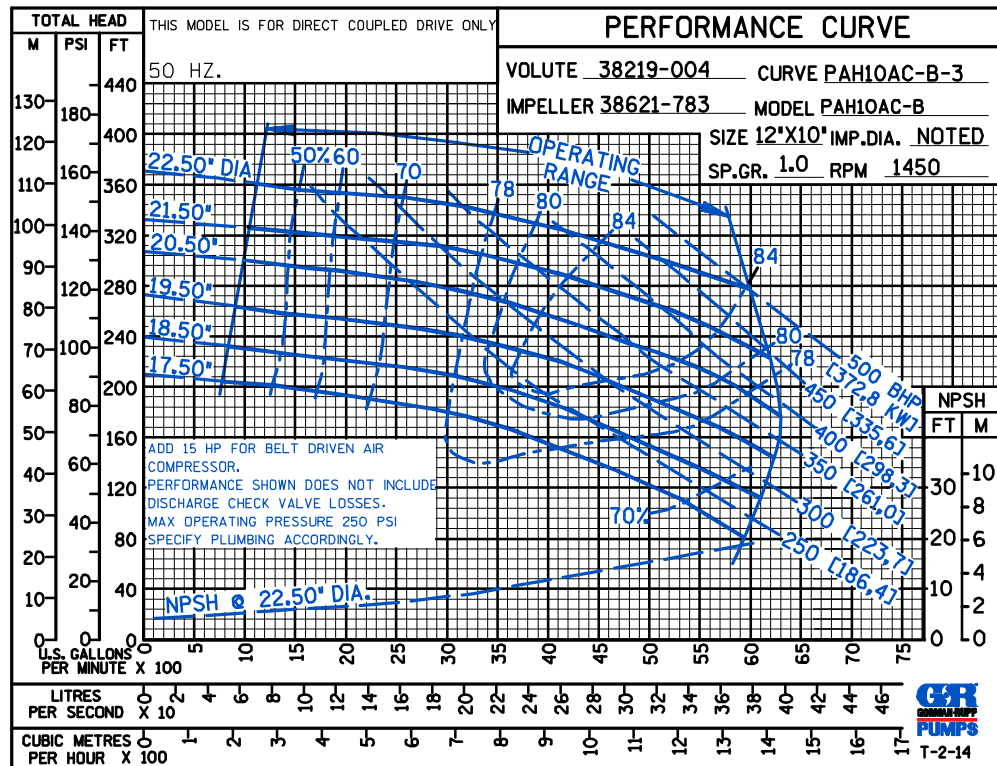
TRIMMED
IMPELLER



PERFORMANCE
BASED ON
WATER

TRIMMED
IMPELLER

50 HERTZ



GORMAN-RUPP PUMPS

www.grpumps.com

Specifications Subject to Change Without Notice

Printed in U.S.A.