

ACDEU

Priming Assisted Centrifugal Pump



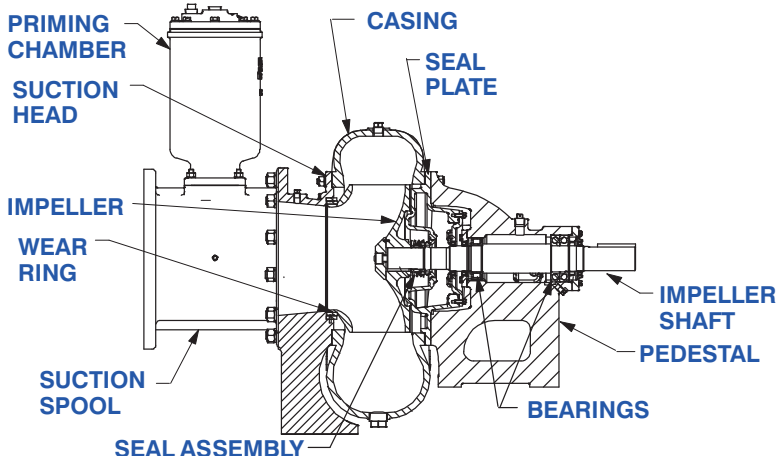
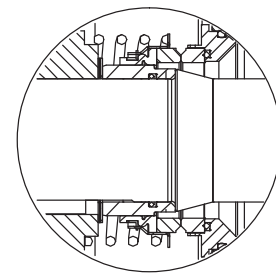
Model PA12A60-B

Size 12" x 12"



PUMP SPECIFICATIONS

- Size:** 12" x 12" (305 mm x 305 mm) Flanged.
Casing: Gray Iron 30. Maximum Operating Pressure 73 psi (503 kPa).*
Enclosed Type, Three Vane Impeller: Ductile Iron 60-40-18.
 Handles 3" (76,2 mm) Diameter Spherical Solids.
Suction Head: Gray Iron 30.
Suction Spool: Gray Iron 30.
Impeller Shaft: Stainless Steel 17-4 PH.
Replaceable Wear Rings: Impeller - Ductile Iron 80-60-03.
 Suction Head - Gray Iron 30.
Pedestal: Gray Iron 30.
Seal Plate: Gray Iron 30.
Bearing Housing: Gray Iron 30.
Shaft Sleeve: Stainless Steel 304.
Priming Chamber: Gray Iron 30 Housing w/Stainless Steel Float and Linkage.
Discharge Check Valve: Ductile Iron Housing w/Buna-N Flapper.
Radial Bearing: Single Row Roller.
Thrust Bearings: Two Open Single Row Ball.
Bearing and Seal Cavity Lubrication: SAE 30 Non-Detergent Oil.
Gaskets: Vegetable Fiber, Buna-N, Resistant Synthetic Rubber and Cork.
O-Rings: Buna-N and Neoprene.
Hardware: Standard Plated Steel.
Bearing and Seal Cavity Oil Level Sight Gauges.
- *Consult Factory for Applications Exceeding Maximum Pressure and/or Temperature Indicated.*
- Standard Equipment:** Strainer. Seal Cavity Bottle Oiler.
Optional Equipment: Base. Coupling. TEFC Motor. Heated Priming Chamber Kit. Suction Vacuum and Discharge Pressure Gauge Kit. Single Ball Type Float Switch.**
- **50 Ft. (15 m) Standard Length; Dual Switches and Alternate Cable Lengths Available From the Factory.*
- System Requirement:** Compressed Air Supply Capable of Providing a Volume of 35 CFM of Air @100 PSIG.



SEAL DETAIL

Mechanical, Oil-Lubricated, Double Floating, Self-Aligning, Silicon Carbide Rotating and Stationary Faces. Stainless Steel 316 Stationary Seat. Buna-N and Fluorocarbon Elastomers (DuPont Viton® or Equivalent). Stainless Steel 18-8 Cage and Spring. Maximum Temperature of Liquid Pumped 160°F (71°C).*



THE GORMAN-RUPP COMPANY • MANSFIELD, OHIO

GORMAN-RUPP OF CANADA LIMITED • ST. THOMAS, ONTARIO, CANADA

www.grpumps.com

Specifications Subject to Change Without Notice

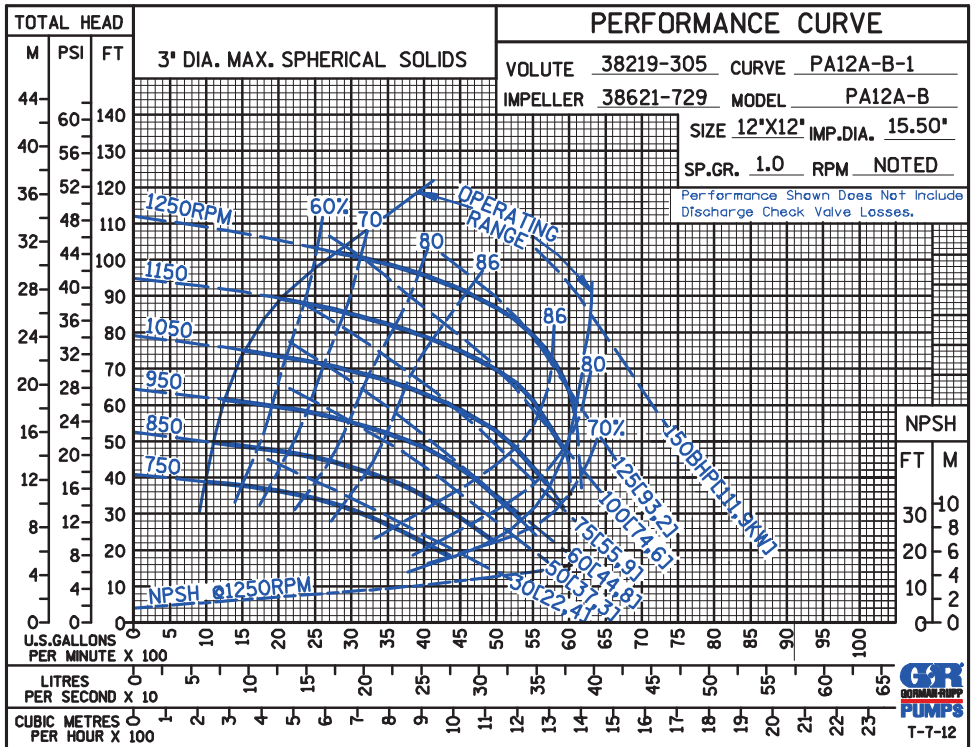
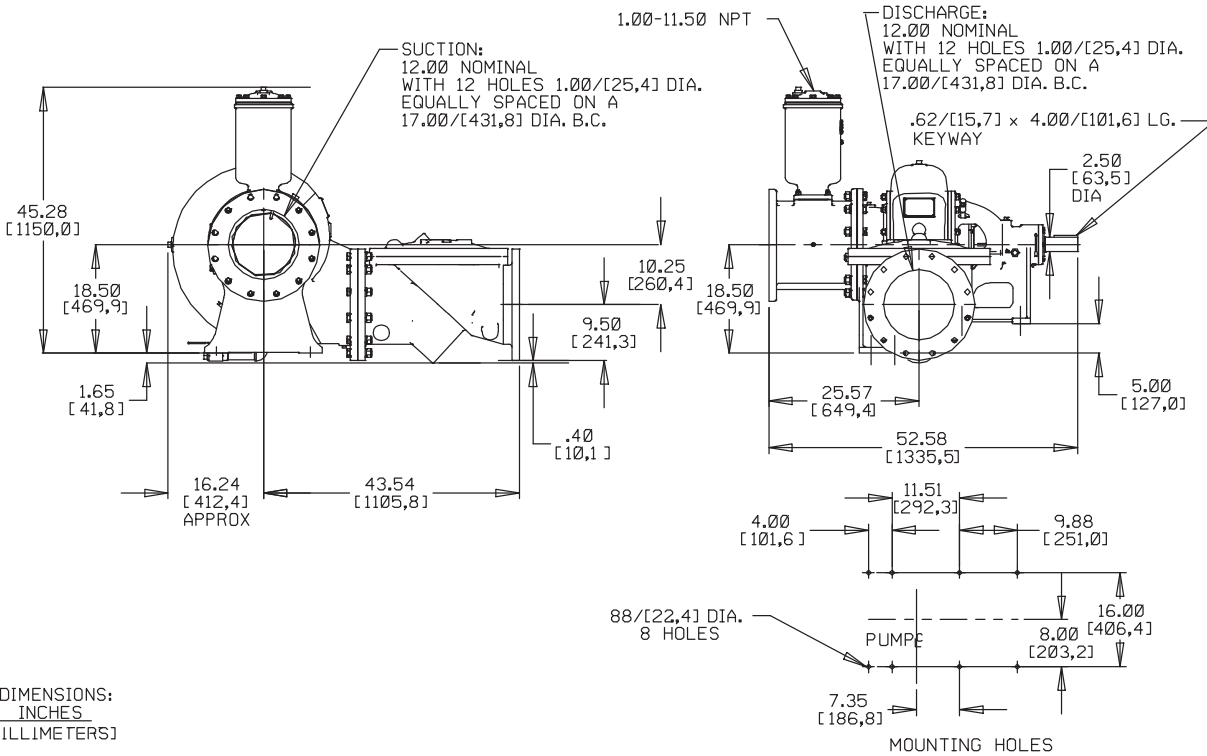
Printed in U.S.A.

Specification Data

SECTION 42, PAGE 1820

APPROXIMATE DIMENSIONS and WEIGHTS

NET WEIGHT: 1659 LBS. (752,5 KG.)
SHIPPING WEIGHT: 2059 LBS. (933,9 KG.)
EXPORT CRATE SIZE: 126 CU. FT. (3,6 CU. M.)



THE GORMAN-RUPP COMPANY • MANSFIELD, OHIO

GORMAN-RUPP OF CANADA LIMITED • ST. THOMAS, ONTARIO, CANADA

Specifications Subject to Change Without Notice

Printed in U.S.A.