

ACDEU

Priming Assisted Centrifugal Pump

**Prime
Aire PLUS**

Model PAH3A60C-B

Size 6" x 3"



PUMP SPECIFICATIONS

Size: 6" x 3" (152 mm x 76 mm) Flanged.

Casing: Ductile Iron 65-45-12.

Maximum Casing Pressure 311 psi (2144 kPa).*
Maximum Operating Pressure 250 psi (1723 kPa) at Temperatures up to 100° F (37° C) Based on System Component Limitations.*

Enclosed Type, Five Vane Impeller: Ductile Iron 65-45-12.

Handles 1/2" (12,7 mm) Diameter Spherical Solids.

Suction Head: Ductile Iron 65-45-12.

Suction Spool: Gray Iron 30.

Impeller Shaft: Alloy Steel 4150M.

Replaceable Wear Ring: Ductile Iron 65-45-12.

Pedestal: Gray Iron 30.

Seal Plate: Gray Iron 30.

Shaft Sleeve: Stainless Steel 303/304.

Priming Chamber: Gray Iron 30 Housing w/Stainless Steel Float and Linkage.

Discharge Check Valve: Ductile Iron Housing w/Buna-N Flapper.

Radial Bearing: Open Single Ball.

Thrust Bearing: Open Double Ball.

Bearing and Seal Cavity Lubrication: SAE 30 Non-Detergent Oil.

Gaskets: Vegetable Fiber.

O-Rings: Buna-N.

Hardware: Standard Plated Steel.

Bearing and Seal Cavity Oil Level Sight Gauges.

**Consult Factory for Applications Exceeding Maximum Pressure and/or Temperature Indicated.*

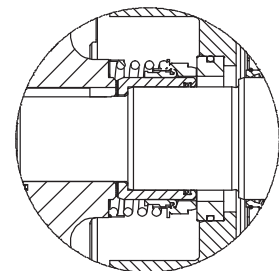
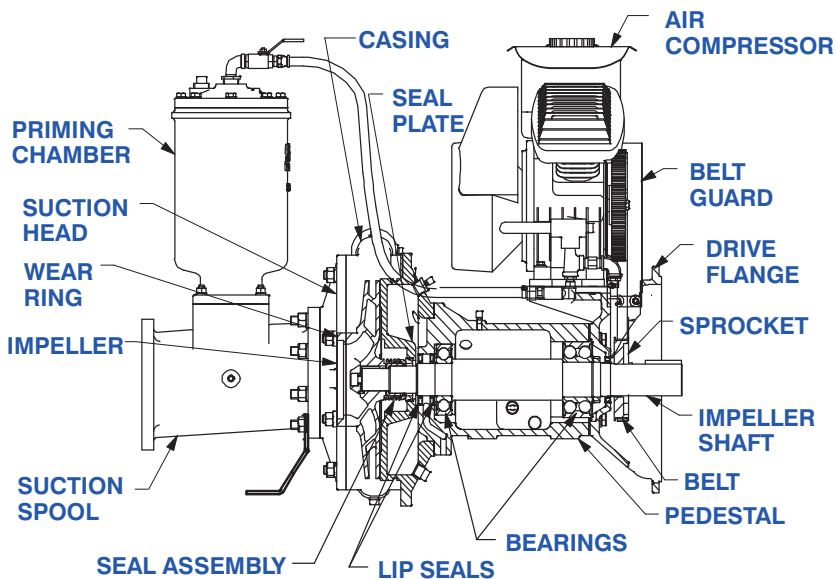
Standard Equipment: Belt Driven Air Compressor. Strainer.

Optional Equipment: Base. NPT Threaded Flange Kit. Lifting Bail. Coupling. TEFC Motor. Heated Priming Chamber Kit. Suction Vacuum and Discharge Pressure Gauge Kit. Single Ball Type Float Switch.**

***50 Ft. (15 m) Standard Length; Dual Switches and Alternate Cable Lengths Available From the Factory.*



SHOWN W/OPTIONS



SEAL DETAIL

Mechanical, Oil-Lubricated. Silicon Carbide Rotating Face and Stationary Seat. Fluorocarbon Elastomers (DuPont Viton® or Equivalent). Stainless Steel 316 Cage and Stainless Steel 18-8 Spring. Maximum Temperature of Liquid Pumped 160° F (71° C).*



THE GORMAN-RUPP COMPANY • MANSFIELD, OHIO

GORMAN-RUPP OF CANADA LIMITED • ST. THOMAS, ONTARIO, CANADA

www.grpumps.com

Specifications Subject to Change Without Notice

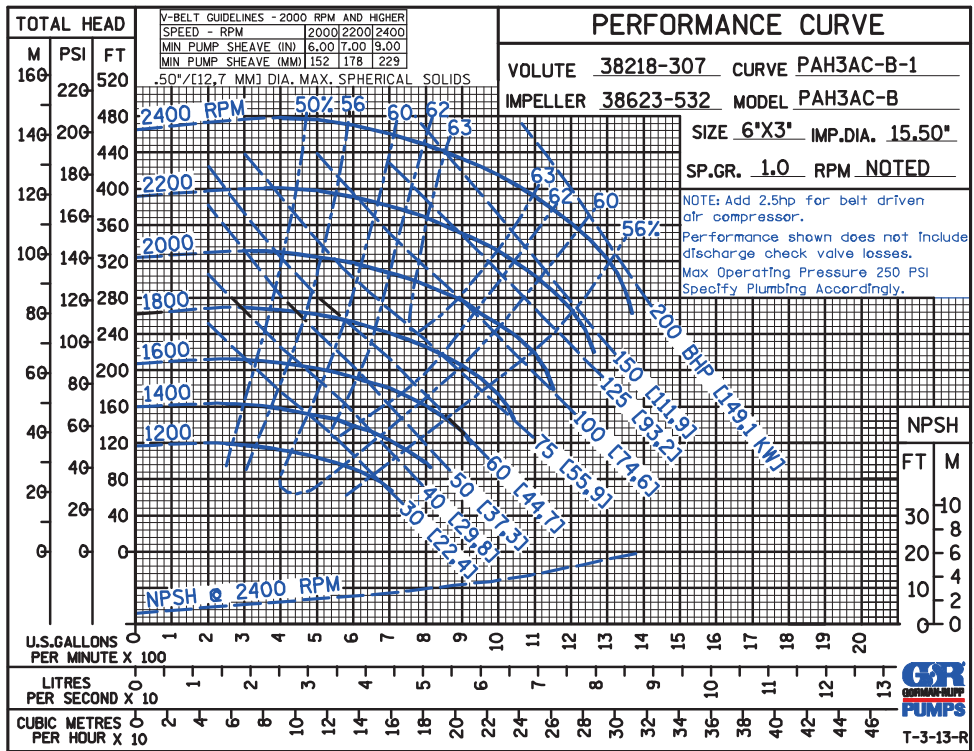
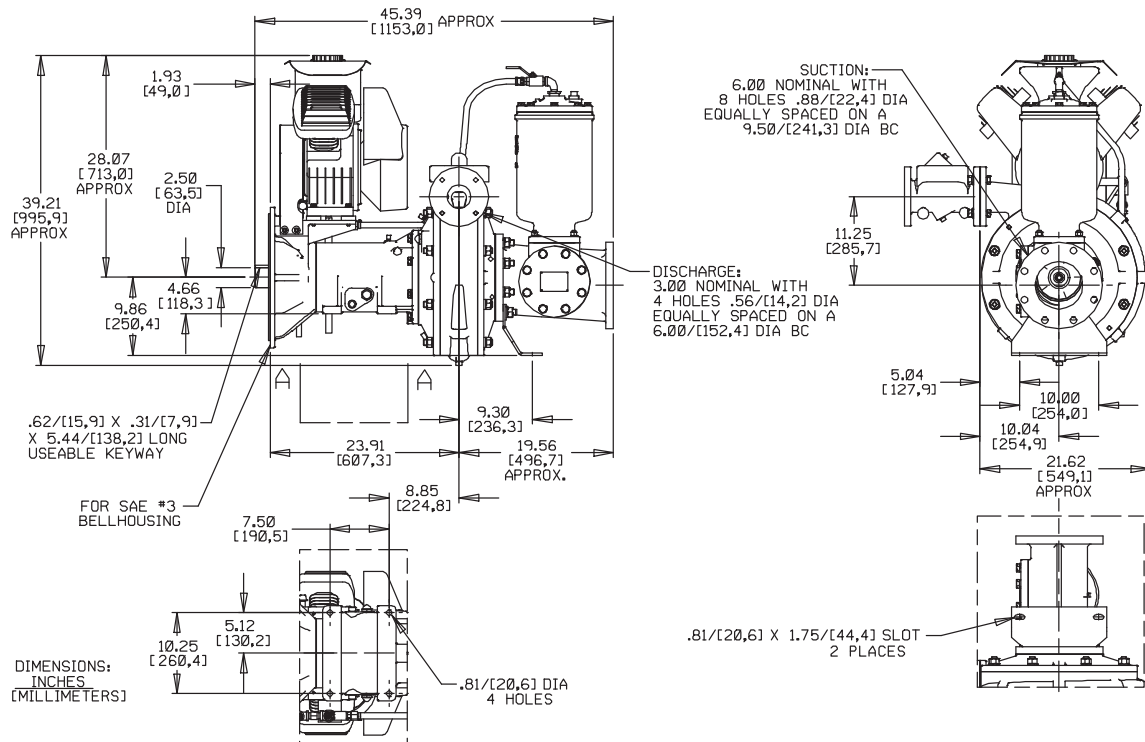
Printed in U.S.A.

Specification Data

SECTION 43, PAGE 110

APPROXIMATE DIMENSIONS and WEIGHTS

NET WEIGHT: 1100 LBS. (499 KG.)
SHIPPING WEIGHT: 1180 LBS. (535 KG.)
EXPORT CRATE SIZE: 68 CU. FT. (1,9 CU. M.)



THE GORMAN-RUPP COMPANY • MANSFIELD, OHIO

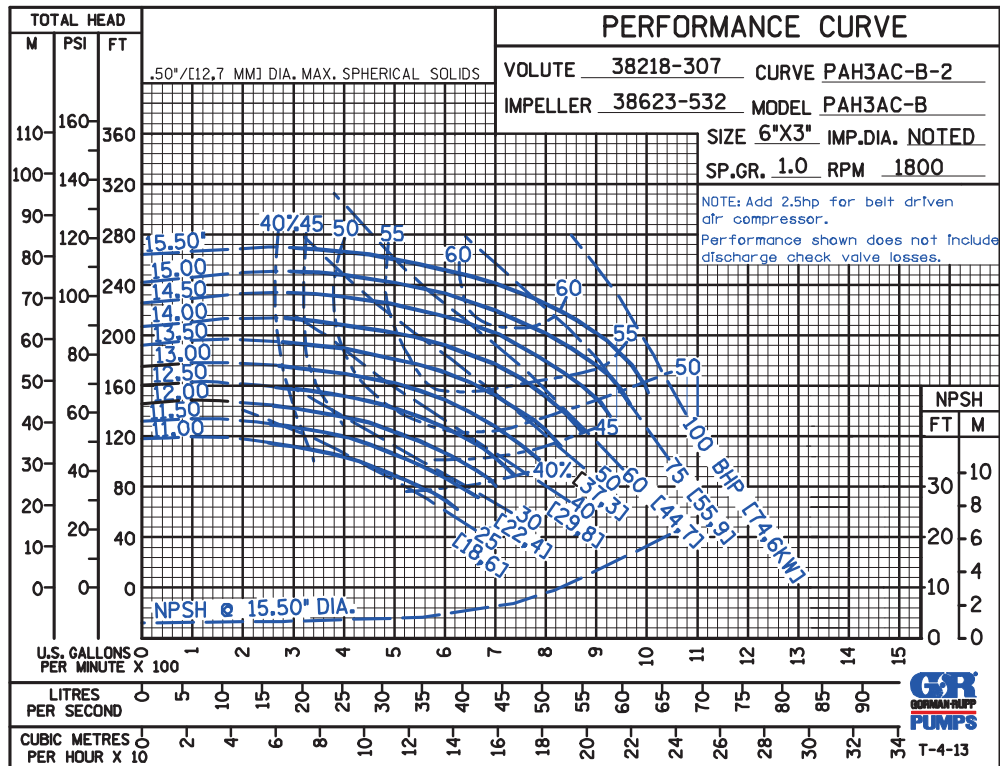
GORMAN-RUPP OF CANADA LIMITED • ST. THOMAS, ONTARIO, CANADA

Specifications Subject to Change Without Notice

Printed in U.S.A.

ACDEU

PERFORMANCE
BASED ON
WATER



THE GORMAN-RUPP COMPANY • MANSFIELD, OHIO

GORMAN-RUPP OF CANADA LIMITED • ST. THOMAS, ONTARIO, CANADA

Specifications Subject to Change Without Notice

Printed in U.S.A.