

ACDEU



# Priming Assisted Vortex Centrifugal Pump

## Model PAV3A60C-B

### Size 3" x 3"



**PUMP SPECIFICATIONS**

**Size:** 3" x 3" (76 mm x 76 mm) Flanged.

**Casing:** Gray Iron 30.

Maximum Operating Pressure 77 psi (531 kPa).\*

**"Staggerwing"® Four Vane Vortex Impeller:** Ductile Iron 65-45-12.

Handles 3" (76,2 mm) Diameter Spherical Solids.

**Suction Spool:** Gray Iron 30.

**Discharge Flap Valve:** Neoprene w/Nylon and Steel Reinforcing.

**Impeller Shaft:** Alloy Steel 4150M.

**Bearing Housing:** Gray Iron 30.

**Seal Plate:** Ductile Iron 65-45-12.

**Shaft Sleeve:** Alloy Steel 4130.

**Priming Chamber:** Gray Iron 30 Housing w/Stainless Steel Float and Linkage.

**Discharge Elbow:** Gray Iron 30.

**Thrust and Radial Bearings:** Open Single Ball.

**Bearing and Seal Cavity Lubrication:** SAE 30 Non-Detergent Oil.

**Gaskets:** Vegetable Fiber, Rubber.

**O-Rings:** Buna-N and Fluorocarbon (DuPont Viton® or Equivalent)..

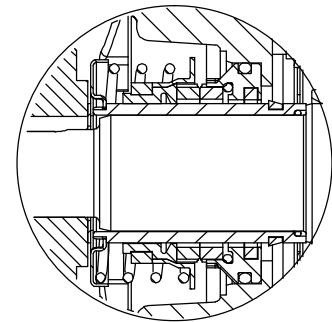
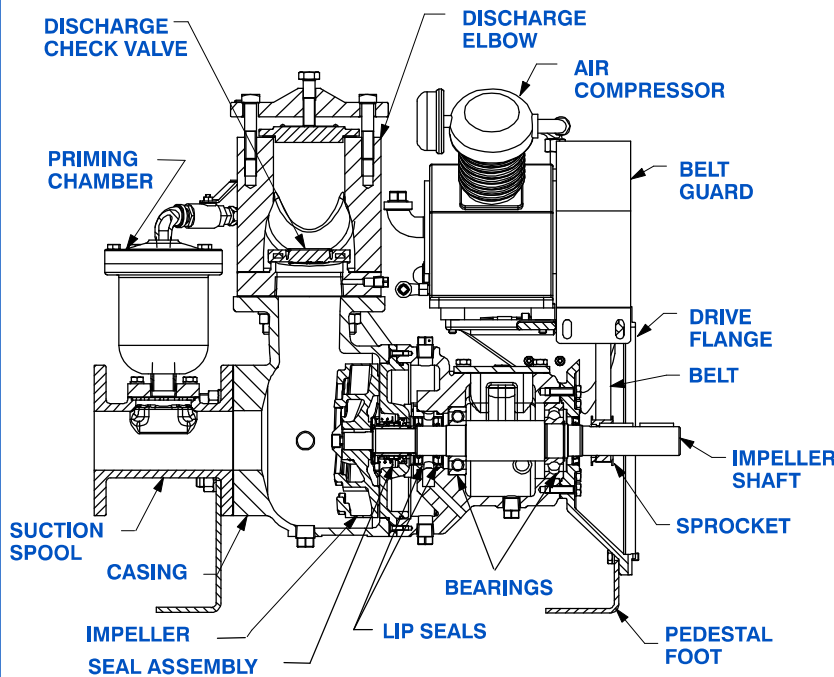
**Hardware:** Standard Plated Steel.

**Bearing and Seal Cavity Oil Level Sight Gauges.**

*\*Consult Factory for Applications Exceeding Maximum Pressure and/or Temperature Indicated.*

**Standard Equipment:** Belt Driven Air Compressor.

**Optional Equipment:** Base. Strainer. Coupling. Electric Motor. Suction Vacuum and Discharge Pressure Gauge Kit. Control Panel.



**SEAL DETAIL**

Cartridge Type, Mechanical, Oil-Lubricated, Double Floating, Self-Aligning. Silicon Carbide Rotating and Stationary Faces. Stainless Steel 316 Stationary Seat. Fluorocarbon Elastomers (DuPont Viton® or Equivalent). Stainless Steel 18-8 Cage and Spring. Maximum Temperature of Liquid Pumped, 160°F (71°C).\*



THE GORMAN-RUPP COMPANY • MANSFIELD, OHIO

GORMAN-RUPP OF CANADA LIMITED • ST. THOMAS, ONTARIO, CANADA

www.grpumps.com

Specifications Subject to Change Without Notice

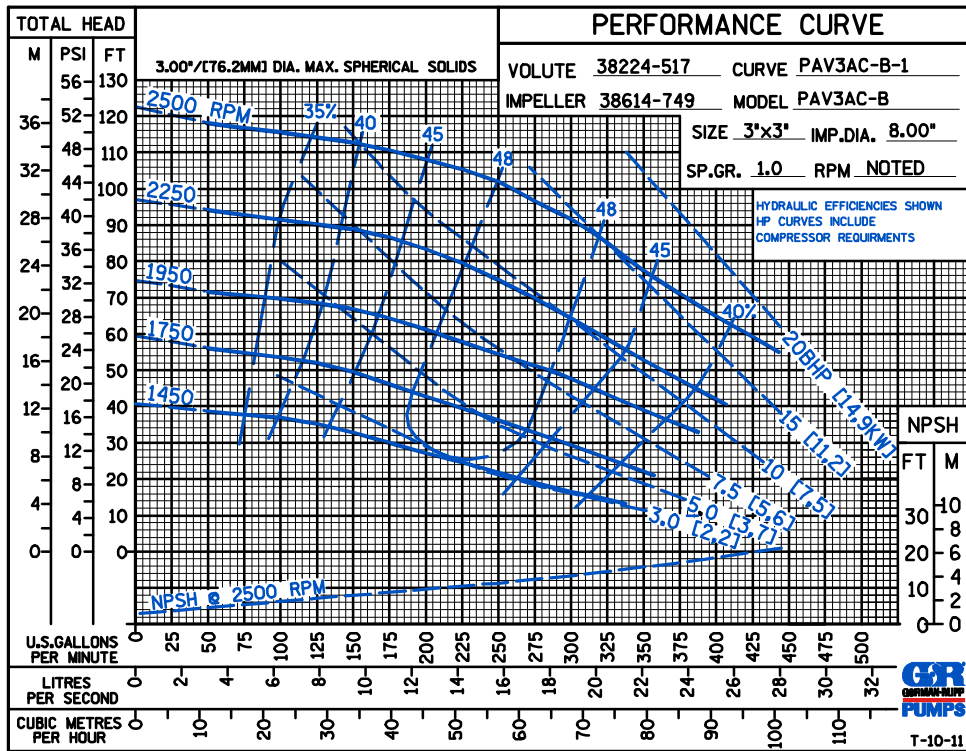
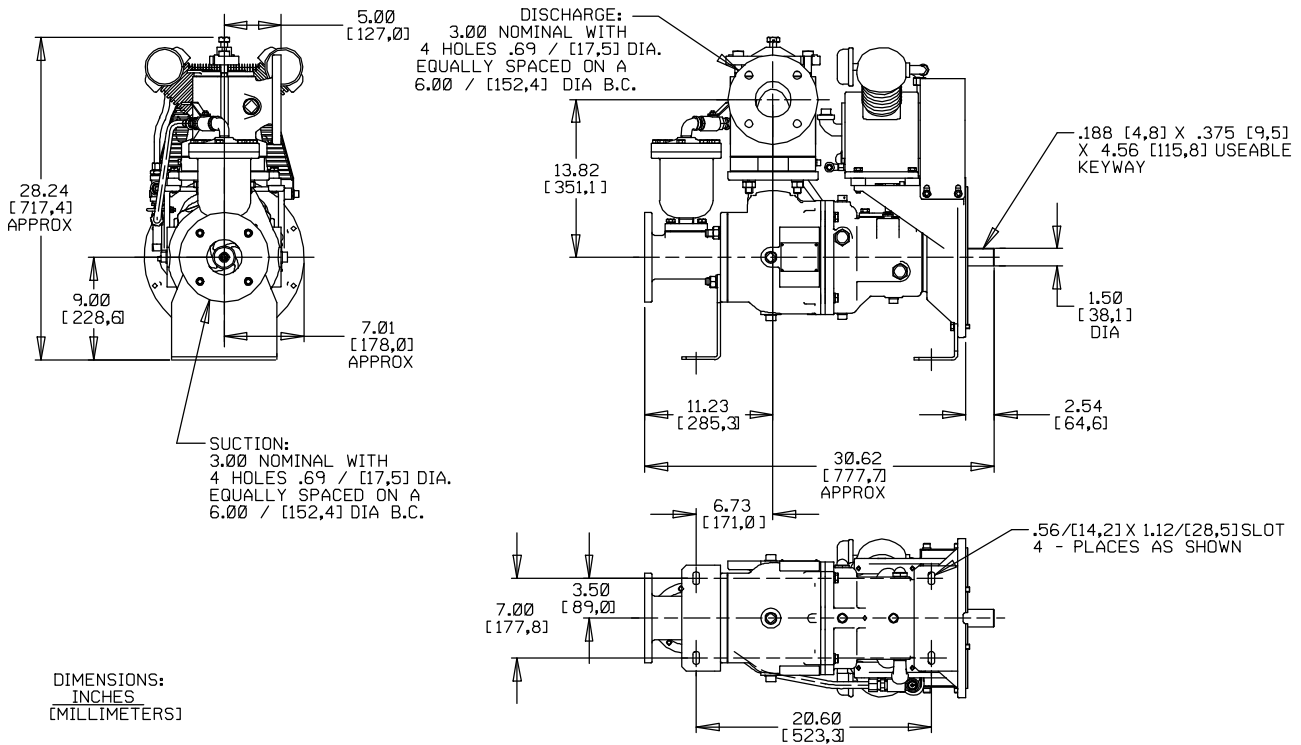
Printed in U.S.A.

**Specification Data**

SECTION 42, PAGE 135

APPROXIMATE DIMENSIONS and WEIGHTS

**NET WEIGHT:** 390 LBS. (176,9 KG.)  
**SHIPPING WEIGHT:** 470 LBS. (213,2 KG.)  
**EXPORT CRATE SIZE:** 15 CU. FT. (0,4 CU. M.)



THE GORMAN-RUPP COMPANY • MANSFIELD, OHIO

GORMAN-RUPP OF CANADA LIMITED • ST. THOMAS, ONTARIO, CANADA

Specifications Subject to Change Without Notice

Printed in U.S.A.