

ACDEU



VARIOUS PATENTS APPLY

# Priming Assisted Centrifugal Pump w/Autostart Model PAV3B60C-3TNV70 Size 3" x 3"



Total Head		Capacity of Pump in U.S. Gallons per Minute (GPM) at Continuous Performance			
P.S.I.	Feet				
55.5	128	50	50	50	50
52.0	120	116	126	130	130
47.7	110	146	177	198	200
43.4	100	170	210	235	245
39.0	90	185	234	260	274
34.7	80	195	248	284	301
30.3	70	205	259	300	325
26.0	60	210	267	317	348
21.7	50	213	275	330	365
17.3	40	216	281	334	379
13.0	30	220	268	345	390
<b>Suction Lift</b>		<b>25'</b>	<b>20'</b>	<b>15'</b>	<b>10'</b>



SHOWN WITH OPTIONAL WHEEL KIT

**PUMP SPECIFICATIONS**

- Size:** 3" x 3" (76,2 mm x 76,2 mm) Flanged.
- Casing:** Gray Iron 30.  
Maximum Operating Pressure 88 psi (607 kPa).\*
- "Staggerwing"™ Four Vane Vortex Impeller:** Ductile Iron 65-45-12.  
Handles 3" (76,2 mm) Diameter Spherical Solids.
- Impeller Shaft:** Alloy Steel 4150.
- Bearing Housing:** Gray Iron 30.
- Seal:** Cartridge Type, Mechanical, Oil-Lubricated, Double Floating, Self-Aligning. Silicon Carbide Rotating and Stationary Faces. Stainless Steel 316 Stationary Seat. Fluorocarbon Elastomers (DuPont Viton® or Equivalent). Stainless Steel 18-8 Cage and Spring. Maximum Temperature of Liquid Pumped, 160°F (71°C).\*
- Shaft Sleeve:** Alloy Steel 4130.
- Priming Chamber:** Gray Iron 30 Housing w/Stainless Steel Float and Linkage.
- Flap Valve:** Neoprene w/Nylon and Steel Reinforcing.
- Thrust and Radial Bearings:** Open Single Row Ball.
- Bearing Lubrication:** SAE #30 Non-Detergent Oil.
- Flanges:** Gray Iron 30.
- Gaskets:** Vegetable and Compressed Synthetic Fibers.
- O-Rings:** Fluorocarbon (DuPont Viton® or Equivalent) and Buna-N.
- Hardware:** Standard Plated Steel.
- Bearing and Seal Oil Sight Gauge.**

\*Consult Factory for Applications Exceeding Maximum Pressure and/or Temperature Indicated.

**Standard Equipment:** Belt-Driven Air Compressor. Hoisting Bail. Combination Skid Base w/Fuel Tank. Strainer. Single Ball Type Float Switch.\*\*

**Optional Equipment:** Battery. High Speed (55 MPH/89 KM/H) Wheel Kit with 5.3 x 12" Pneumatic Tires. 3" NPT Flange Kit. Metric Flanges

\*\*50 Ft. (15 m) Standard Length; Dual Switches and Alternate Cable Lengths Available From the Factory.



**ENGINE SPECIFICATIONS**

- Model:** Yanmar 3TNV70.
- Type:** Three Cylinder, Four Cycle, Liquid Cooled Diesel Engine.
- Displacement:** 52 Cu. In. (.854 Liters).
- Governor:** Electronic Isochronous.
- Lubrication:** Forced Circulation.
- Air Cleaner:** Dry Type.
- Oil Reservoir:** 1.8 U.S. Quart (1.7 Liters) Refill.
- Fuel Tank:** 28 U.S. Gallons (106 Liters).
- Full Load Operating Time:** 24 Hrs.
- Starter:** 12V Electric.

**Standard Features:** Low Oil Pressure and High Coolant Temperature Safety Shut Down Switches. Autostart Instrument Panel Includes: Tachometer, Voltmeter, Hourmeter, Coolant Temperature Gauge, Oil Pressure Gauge, Manual/Stop/Auto Key Switch, 10 Amp Pushbutton Circuit Breaker, Startup Warning Delay. Muffler w/Weather Cap. Throttle Control.

**YANMAR PUBLISHED PERFORMANCE:**  
Maximum Net Industrial B.H.P. 21.9 (16.3 kW) @ 3600 RPM



THE GORMAN-RUPP COMPANY • MANSFIELD, OHIO

GORMAN-RUPP OF CANADA LIMITED • ST. THOMAS, ONTARIO, CANADA

www.grpumps.com

Specifications Subject to Change Without Notice

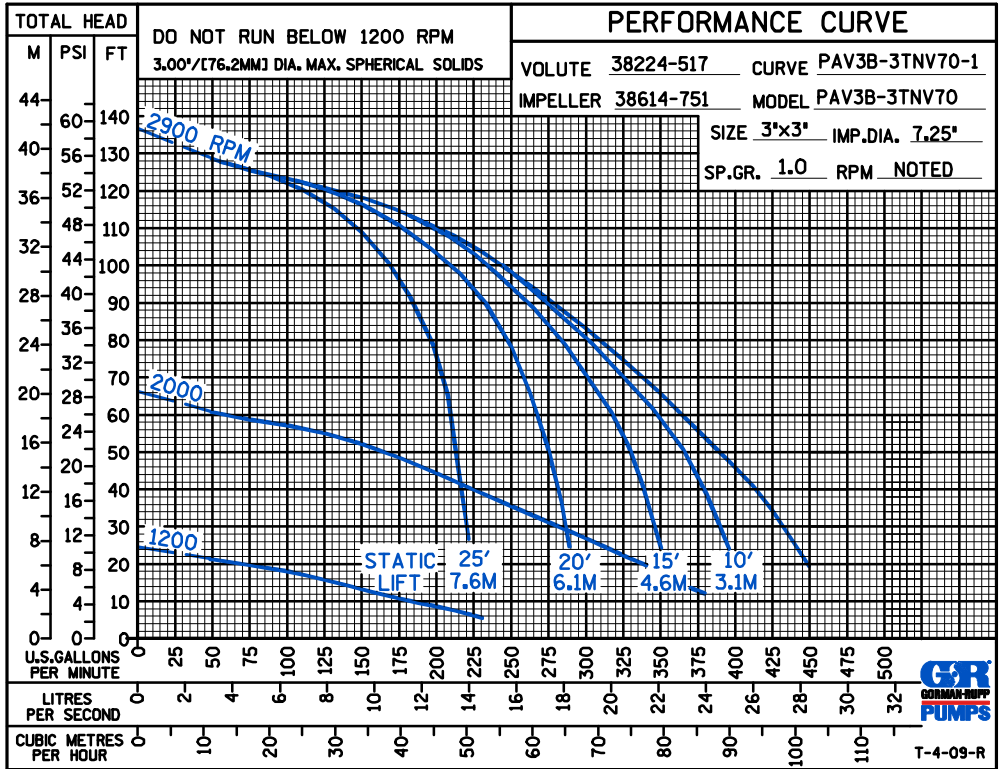
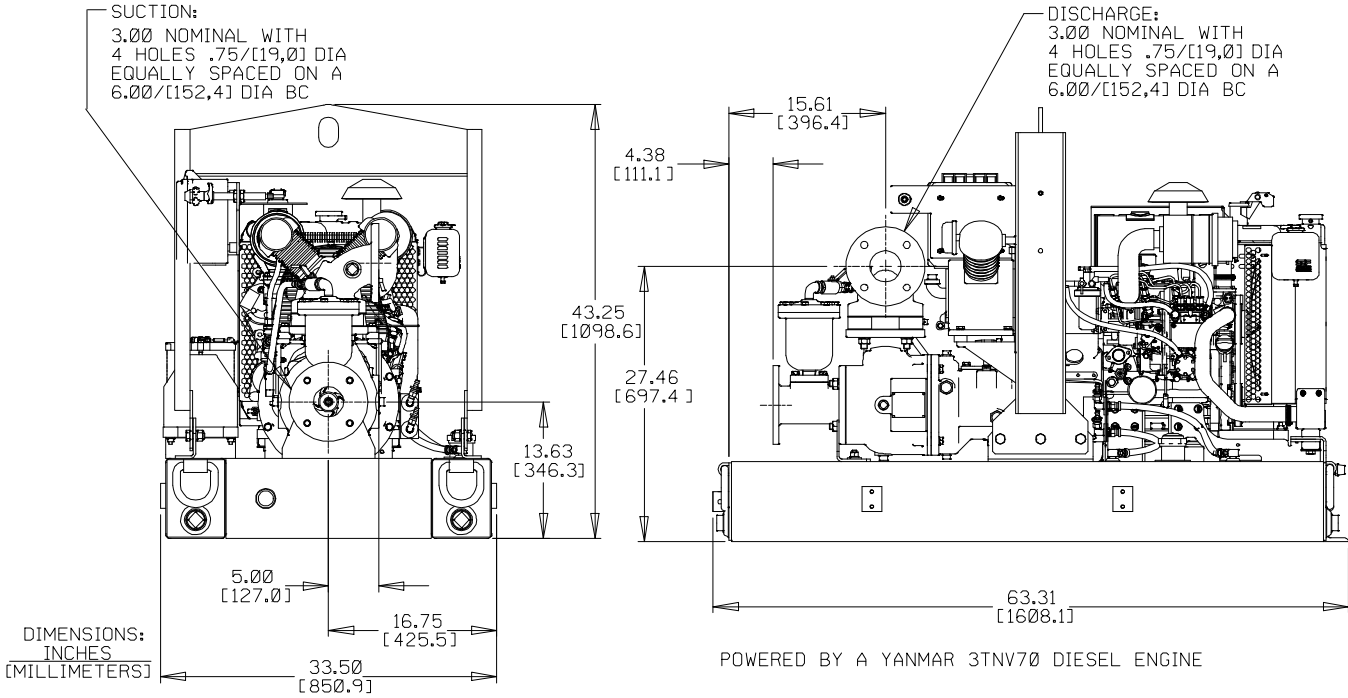
Printed in U.S.A.

**Specification Data**

SECTION 42, PAGE 140

APPROXIMATE  
DIMENSIONS and WEIGHTS

**SKID BASE**                      **2-WHEEL**  
**NET WEIGHT:**                    1160 LBS. (526,2 KGS.)    1345 LBS. (610 KGS.)  
**SHIPPING WEIGHT:**            1360 LBS. (616,9 KGS.)    1345 LBS. (610 KGS.)  
**EXPORT CRATE SIZE:** 78 CU. FT. (2,2 CU. M.)



THE GORMAN-RUPP COMPANY • MANSFIELD, OHIO

GORMAN-RUPP OF CANADA LIMITED • ST. THOMAS, ONTARIO, CANADA

Specifications Subject to Change Without Notice

Printed in U.S.A.