

ACDEU

Basic Pump Priming Assisted Centrifugal Pump



Model PAH4C60C-B

Size 6" x 4"



PUMP SPECIFICATIONS

Size: 6" x 4" (152 mm x 102 mm) Flanged.

Casing: Ductile Iron 65-45-12.

Maximum Operating Pressure 291 psi (2006 kPa).*

Enclosed Type, Five Vane Impeller: Ductile Iron 65-45-12.

Handles 1/2" (12,7 mm) Diameter Spherical Solids.

Suction Head: Ductile Iron 65-45-12

Suction Spool: Gray Iron 30.

Impeller Shaft: Alloy Steel 4140.

Replaceable Wear Ring: Ductile Iron 65-45-12.

Pedestal: Gray Iron 30.

Seal Plate: Gray Iron 30.

Shaft Sleeve: Stainless Steel 303/304.

Priming Chamber: Gray Iron 30 Housing w/Stainless Steel Float and Linkage.

Discharge Check Valve: Ductile Iron Housing w/Buna-N Flapper.

Radial Bearing: Open Single Ball.

Thrust Bearing: Open Double Ball.

Bearing and Seal Cavity Lubrication: SAE 30 Non-Detergent Oil.

Gaskets: Vegetable Fiber.

O-Rings: Buna-N.

Hardware: Standard Plated Steel.

Bearing and Seal Cavity Oil Level Sight Gauges.

* Consult Factory for Applications Exceeding Maximum Pressure and/or Temperature Indicated.

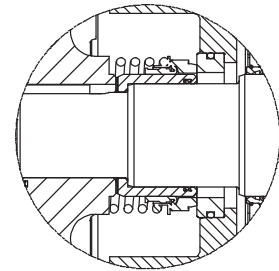
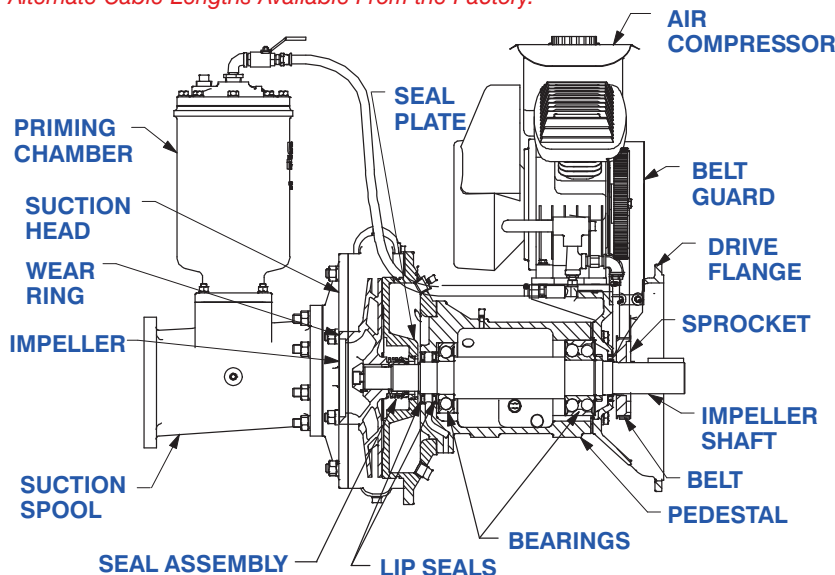
Standard Equipment: Belt Driven Air Compressor.

Optional Equipment: Base. Heated Priming Chamber Kit. Coupling. TEFC Motor. Heated Priming Chamber Kit. Suction Vacuum and Discharge Pressure Gauge Kit. Single Ball Type Float Switch.**

**50 Ft. (15 m) Standard Length; Dual Switches and Alternate Cable Lengths Available From the Factory.



SHOWN w/OPTIONAL BASE AND MOTOR



SEAL DETAIL

Mechanical, Oil-Lubricated, Double Floating, Self-Aligning. Silicon Carbide Rotating Face and Stationary Seat. Fluorocarbon Elastomers (DuPont Viton® or Equivalent). Stainless Steel 316 Cage and Spring. Maximum Temperature of Liquid Pumped 160°F (71°C).*



THE GORMAN-RUPP COMPANY • MANSFIELD, OHIO

GORMAN-RUPP OF CANADA LIMITED • ST. THOMAS, ONTARIO, CANADA

www.grpumps.com

Specifications Subject to Change Without Notice

Printed in U.S.A.

Specification Data

SECTION 43, PAGE 250

APPROXIMATE DIMENSIONS and WEIGHTS

NET WEIGHT:
SHIPPING WEIGHT:
EXPORT CRATE SIZE:

CONSULT FACTORY
CONSULT FACTORY
54 CU. FT. (1,5 CU. M.)

