

ACDEU

Basic Pump

Priming Assisted Centrifugal Pump

Model PAH6A60C-B

Size 10" x 6"

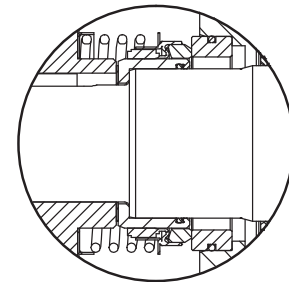
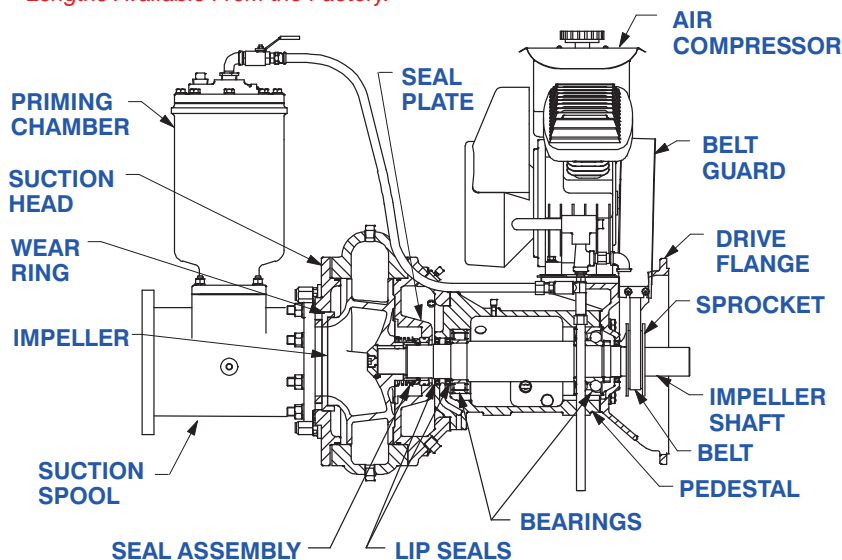


PUMP SPECIFICATIONS

- Size:** 10" x 6" (254 mm x 152 mm) Flanged.
 - Casing:** Ductile Iron 65-45-12.
Maximum Operating Pressure 231 psi (1593 kPa).*
 - Enclosed Type, Two Vane Impeller:** Ductile Iron 65-45-12.
Handles 3" (76,2 mm) Diameter Spherical Solids.
 - Suction Head:** Gray Iron 30.
 - Suction Spool:** Gray Iron 30.
 - Impeller Shaft:** Alloy Steel 41L40.
 - Replaceable Wear Ring:** Ductile Iron 65-45-12.
 - Pedestal:** Gray Iron 30.
 - Seal Plate:** Gray Iron 30.
 - Shaft Sleeve:** Stainless Steel 303/304.
 - Priming Chamber:** Gray Iron 30 Housing w/Stainless Steel Float and Linkage.
 - Discharge Check Valve:** Ductile Iron Housing w/Buna-N Flapper.
 - Radial Bearing:** Open Roller.
 - Thrust Bearing:** Open Double Ball.
 - Bearing and Seal Cavity Lubrication:** SAE 30 Non-Detergent Oil.
 - Flanges:** Gray Iron 30.
 - Gaskets:** Vegetable Fiber.
 - O-Rings:** Buna-N.
 - Hardware:** Standard Plated Steel.
 - Bearing and Seal Cavity Oil Level Sight Gauges.**
- *Consult Factory for Applications Exceeding Maximum Pressure and/or Temperature Indicated.*
- Standard Equipment:** Belt Driven Air Compressor.
- Optional Equipment:** Base. Coupling. Heated Priming Chamber Kit. TEFC Motor. Heated Priming Chamber Kit. Suction Vacuum and Discharge Pressure Gauge Kit. Single Ball Type Float Switch.**
- **50 Ft. (15 m) Standard Length; Dual Switches and Alternate Cable Lengths Available From the Factory.*



SHOWN w/OPTIONAL BASE AND MOTOR



SEAL DETAIL

Mechanical, Oil-Lubricated, Double Floating, Self-Aligning. Silicon Carbide Rotating Face and Stationary Seat. Fluorocarbon Elastomers (DuPont Viton® or Equivalent). Stainless Steel 316 Cage and Spring. Maximum Temperature of Liquid Pumped 160°F (71°C).*



THE GORMAN-RUPP COMPANY • MANSFIELD, OHIO

GORMAN-RUPP OF CANADA LIMITED • ST. THOMAS, ONTARIO, CANADA

www.grpumps.com

Specifications Subject to Change Without Notice

Printed in U.S.A.

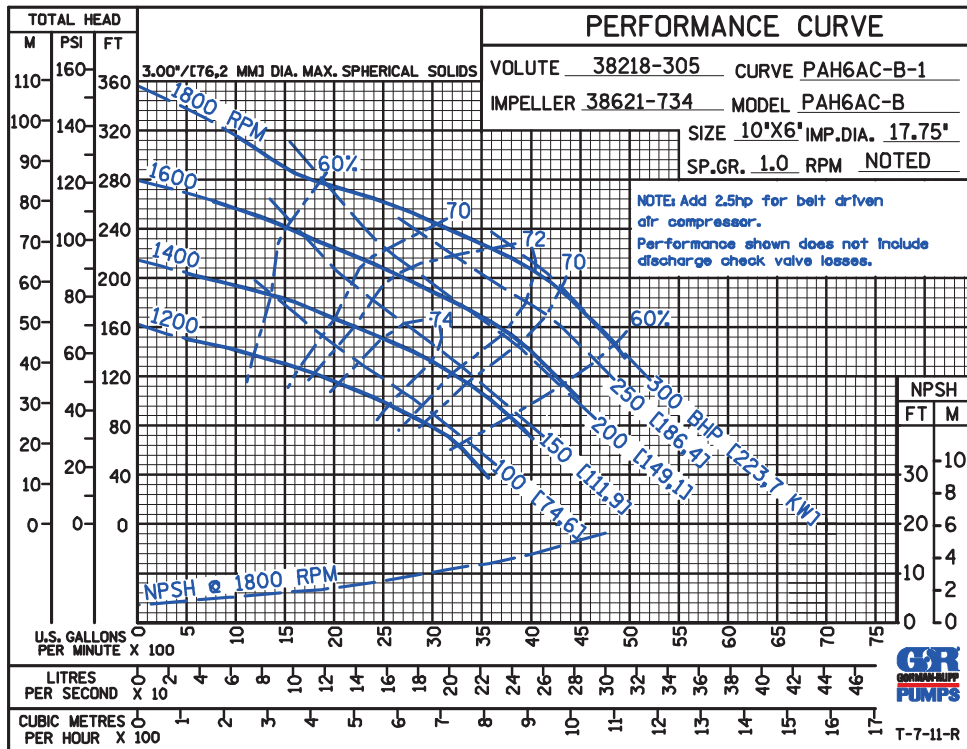
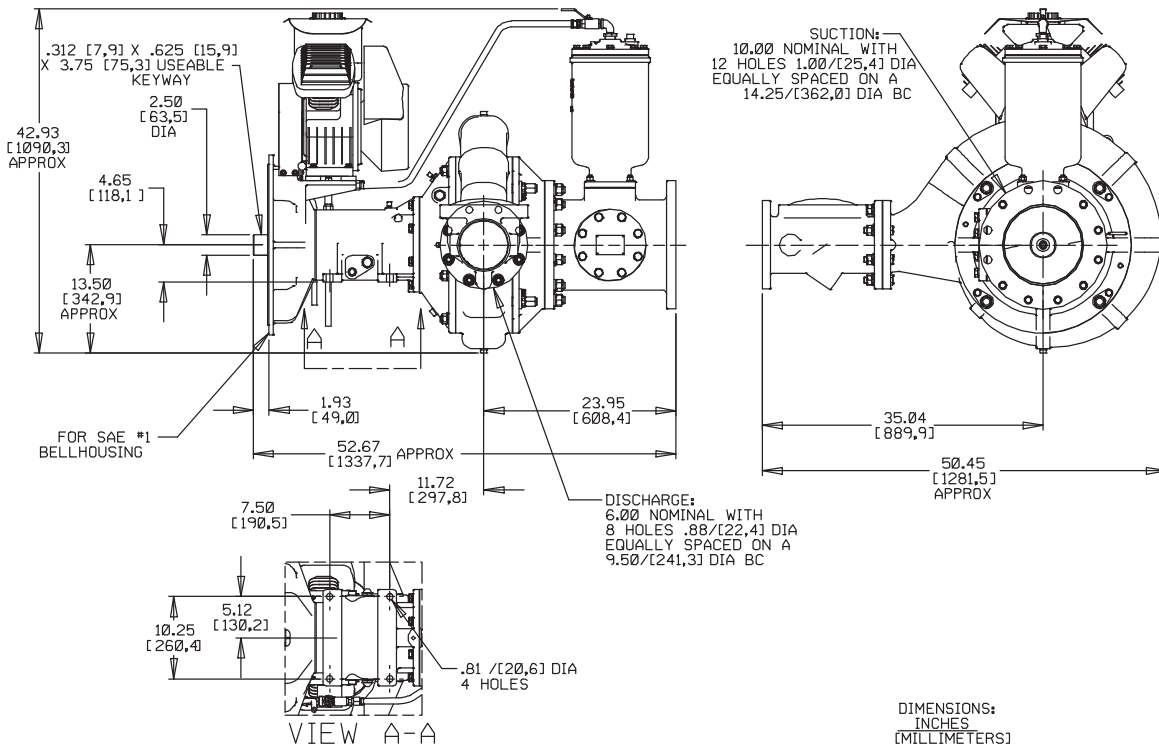
Specification Data

SECTION 43, PAGE 320

APPROXIMATE
DIMENSIONS and WEIGHTS

NET WEIGHT:
SHIPPING WEIGHT:
EXPORT CRATE SIZE:

CONSULT FACTORY
CONSULT FACTORY
108 CU. FT. (3 CU. M.)



THE GORMAN-RUPP COMPANY • MANSFIELD, OHIO

GORMAN-RUPP OF CANADA LIMITED • ST. THOMAS, ONTARIO, CANADA

Specifications Subject to Change Without Notice

Printed in U.S.A.