

ACDEU



VARIOUS PATENTS APPLY

Priming Assisted Centrifugal Pump w/Autostart

Model PA6B60-6068H

Size 6" x 6"



Total Head		Capacity of Pump in U.S. Gallons per Minute (GPM) at Continuous Performance			
P.S.I.	Feet				
182.1	420	305	305	305	305
173.4	400	705	960	960	960
151.7	350	765	1050	1350	1430
130.1	300	790	1080	1382	1650
108.4	250	795	1090	1400	1660
86.7	200	800	1095	1400	1665
65.0	150	802	1097	1400	1675
43.4	100	810	1100	1400	1680
Suction Lift		24'	20'	15'	10'

PUMP SPECIFICATIONS

Size: 6" x 6" (152 mm x 152 mm) Flanged.

Casing: Gray Iron 30.

Maximum Operating Pressure 275 psi (1896 kPa).*

Enclosed Type, Six Vane Impeller: Ductile Iron 120-90-02.

Handles 11/16" (17.5 mm) Diameter Spherical Solids.

Impeller Shaft: Stainless Steel 17-4 PH.

Replaceable Wear Ring: Copper Alloy C93200.

Replaceable Balance Ring: Copper Alloy C83600.

Intermediate Bracket: Gray Iron 30.

Seal: Mechanical, Oil-Lubricated, Double Floating Self-Aligning. Silicon Carbide Rotating and Stationary Faces. Fluorocarbon Elastomers (DuPont Viton® or Equivalent). Stainless Steel 18-8 Cage and Spring.

Maximum Temperature of Liquid Pumped, 160°F (71°C).*

Shaft Sleeve: Stainless Steel 17-4 PH.

Priming Chamber: Gray Iron 30 Housing w/Stainless Steel Float and Linkage.

Discharge Check Valve: Ductile Iron Housing w/Buna-N Flapper.

Bearing: Open Double Row Ball.

Bearing Lubrication: Grease.

Flange: Gray Iron 30.

Gaskets: Vegetable Fiber.

O-Rings: Fluorocarbon (DuPont Viton® or Equivalent) and Buna-N.

Hardware: Standard Plated Steel.

Seal Oil Reservoir Sight Gauge.

*Consult Factory for Applications Exceeding Maximum Pressure and/or Temperature Indicated.

Standard Equipment: Gear-Driven Air Compressor. Hoisting Bail. Combination Skid Base w/Fuel Tank. Strainer. Single Ball Type Float Switch. **

Optional Equipment: Battery. Heated Priming Chamber Kit. Suction Vacuum and Discharge Pressure Gauge Kit. Tandem Axle Pneumatic-Tired Wheel Kit w/w_o DOT-Approved Lights and Electric Brakes. High Speed (55 MPH/89 KM/H) Tandem Axle Pneumatic-Tired Wheel Kit w/w_o DOT-Approved Lights and Electric Brakes. EPS w/ Submersible Transducer Liquid Level Sensor (50 Ft. [15M] Cable Standard, Alternate Lengths Available).

**50 Ft. (15 m) Standard Length; Dual Switches and Alternate Cable Lengths Available From the Factory.



ENGINE SPECIFICATIONS

Model: John Deere 6068H "Power Tech."

Type: Six Cylinder, Four Cycle, Turbocharged, Charge Air Cooled, Enclosed, Liquid Cooled Diesel Engine.

Displacement: 415 Cu. In. (6,8 liters).

Governor: Electronic.

Lubrication: Forced Circulation.

Air Cleaner: Dry Type.

Fuel Tank: 130 U.S. Gals. (492 liters).

Full Load Operating Time: 12.6

Starter: 12V Electric.

Standard Features: Low Oil Pressure, High Coolant Temperature and Start Failure Safety Shut Down Switches/Indicators. Throttle Control. Autostart Instrument Panel Includes: Tachometer, Voltmeter, Hourmeter, Coolant Temperature and Oil Pressure Indicators, Manual/Stop/Auto Key Switch, 10 Amp Fuse, Audible Startup Warning Delay. Muffler w/Weather Cap.

JOHN DEERE PUBLISHED PERFORMANCE:

Maximum Gross BHP (Ind/Hvy Duty)
225 (168 kW) @ 2200 RPM



THE GORMAN-RUPP COMPANY • MANSFIELD, OHIO

GORMAN-RUPP OF CANADA LIMITED • ST. THOMAS, ONTARIO, CANADA

www.grpumps.com

Specifications Subject to Change Without Notice

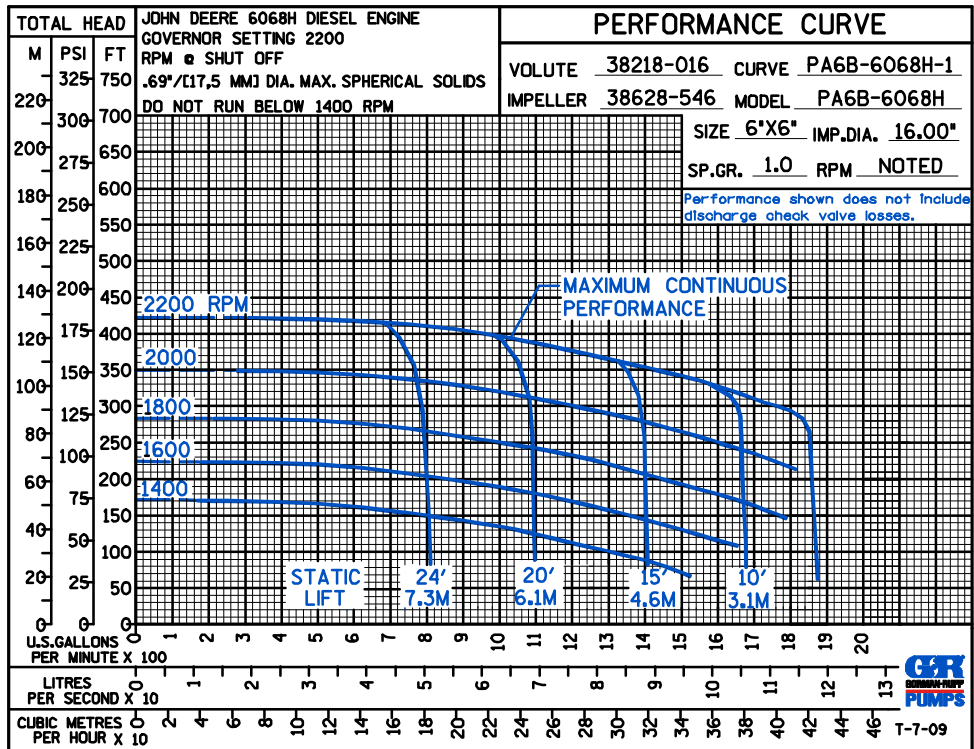
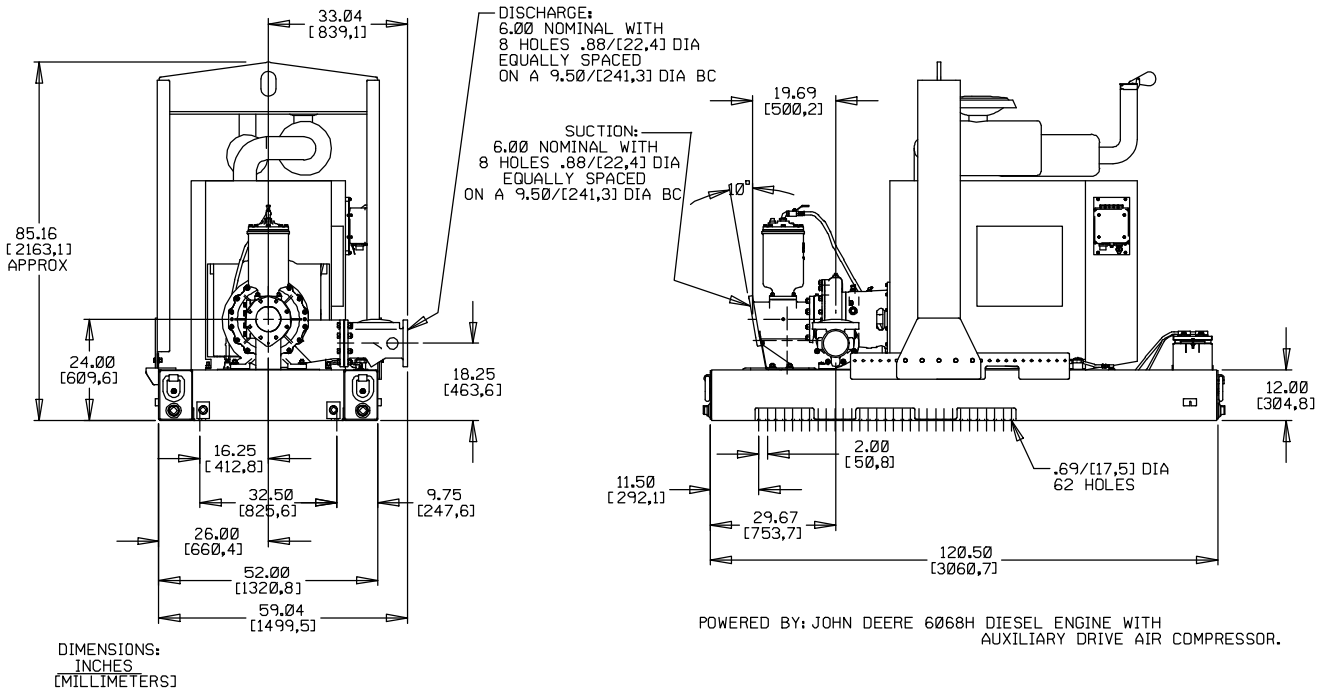
Printed in U.S.A.

Specification Data

SECTION 42, PAGE 1005

APPROXIMATE
DIMENSIONS and WEIGHTS

NET WEIGHT: 5145 LBS. (2334 KG.)
SHIPPING WEIGHT: 5345 LBS. (2424 KG.)
EXPORT CRATE SIZE: 552 CU. FT. (156 CU. M.)



THE GORMAN-RUPP COMPANY • MANSFIELD, OHIO

GORMAN-RUPP OF CANADA LIMITED • ST. THOMAS, ONTARIO, CANADA

Specifications Subject to Change Without Notice

Printed in U.S.A.