

B

Self Priming Centrifugal Pump

Electric Motor Driven

Models RS3A31 -- BAR *and* RS3A32 -- BAR

Size 4" x 3"

PUMP SPECIFICATIONS

Size: 4" x 3" (102 mm x 76 mm) Flanged.**Casing:** Ductile Iron No. 65-45-12. (RS3A31 – BAR);

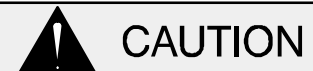
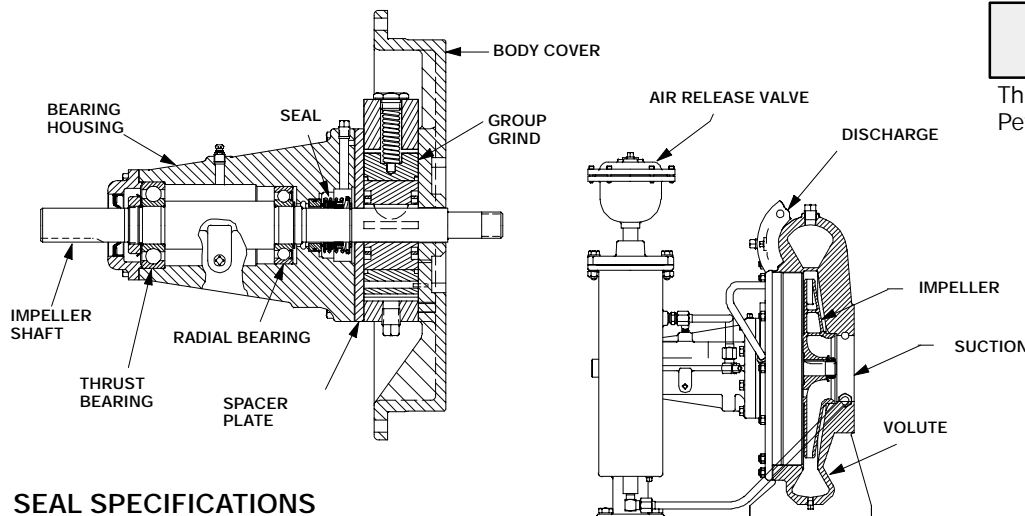
Cast Steel No. 70-36 (RS3A32 – BAR);

Maximum Operating Pressure 75 psi (5 kg/cm²).***Enclosed Type, Five Vane Impeller:** Aluminum 356-T6. Handles
3/8" (9,5 mm) Diameter Spherical Solids.**Impeller Shaft:** Steel 1045.**Bearing Housing:** Ductile Iron 65-45-12.**Body Cover:** Ductile Iron No. 65-45-12 (RS3A31 – BAR).

Cast Steel 70-36 (RS3A32 – BAR).

Center/Spacer Plate: Ductile Iron No. 65-45-12 (RS3A31 – BAR).

Cast Steel 70-36 (RS3A32 – BAR).

Radial/Thrust Bearing: Open Single Ball.**Bearing Lubrication:** Grease.**Gaskets:** Vegetable Fiber, Paper, and Cork.**Priming:** Rotary Vane Type with Built-in Spring Loaded Priming
Pump Check Valve.**Optional Equipment:** Cast Steel 70-36 Suction and Discharge
Companion Flange Kit. Group Grind with Cast Iron Rotor
(RS3A31-BAR Only); Carbon Steel Impeller Shaft; PTFE Seal; Oil
Filled Bearing Housing Assembly.**CAUTION**This Is Not A Water Pump. Use For
Petroleum Products Only.

SEAL SPECIFICATIONS

Seal: Mechanical; Self-Lubricated. Fluorocarbon Elastomers (DuPont Viton® or Equivalent).
Carbon Rotating Faces; Ni-Resist Stationary Faces; Maximum Temperature of Liquid
Pumped is 160°F (71°C).*

* Consult Factory for Applications Exceeding Maximum Pressure and/or Temperature Indicated.



THE GORMAN-RUPP COMPANY • MANSFIELD, OHIO

GORMAN-RUPP OF CANADA LIMITED • ST. THOMAS, ONTARIO, CANADA

Specifications Subject to Change Without Notice

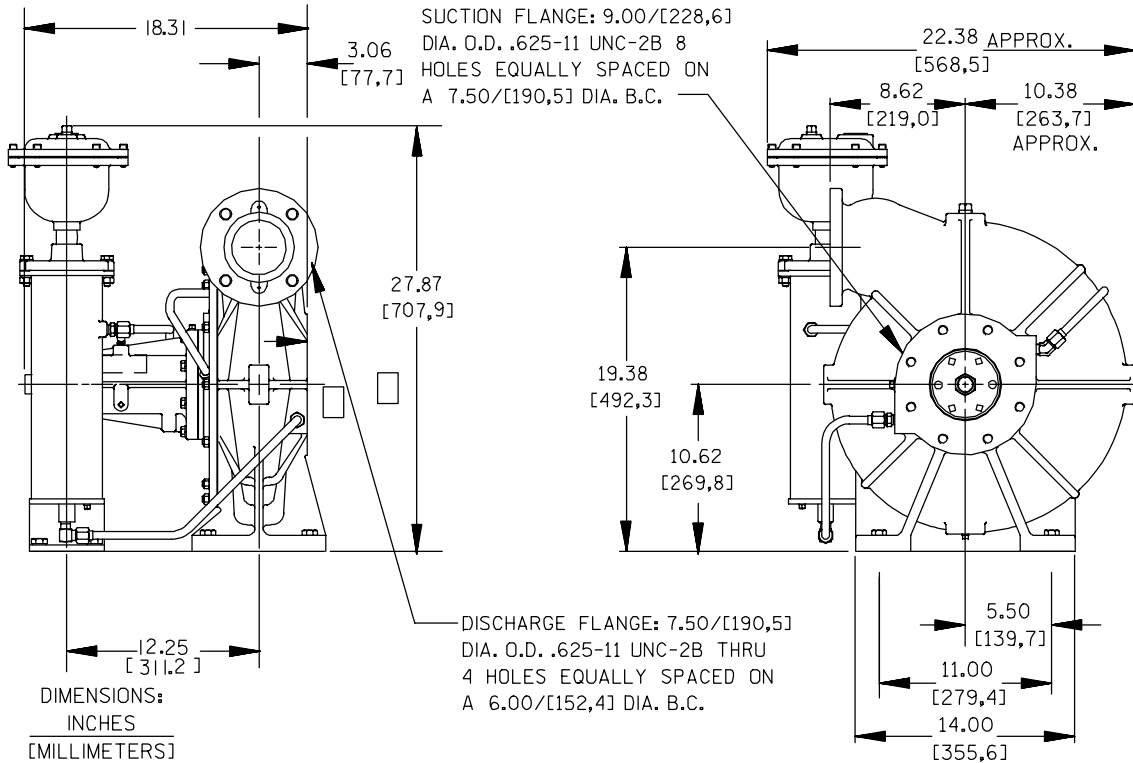
Printed in U.S.A.

Specification Data

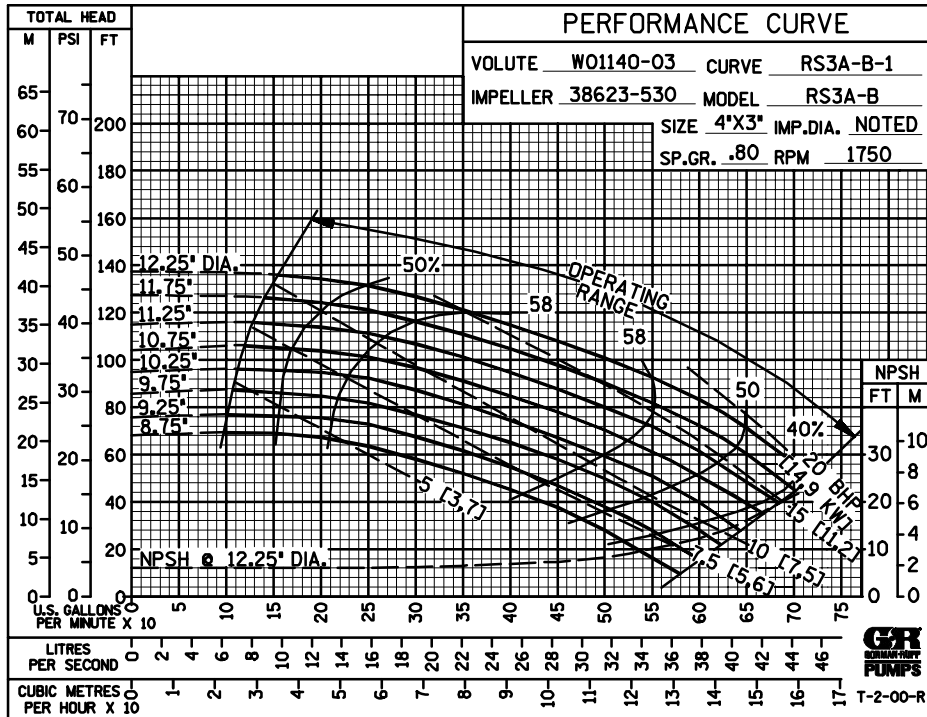
SECTION 35, PAGE 310

APPROXIMATE
DIMENSIONS and WEIGHTS

	RS3A31-BAR	RS3A32-BAR
PUMP NET WEIGHT:	292 LBS. (132,4 KGS.)	300 LBS. (136 KGS.)
SHIPPING NET WEIGHT:	307 LBS. (139,3 KGS.)	320 LBS. (145,1 KGS.)
EXPORT CRATE SIZE:	17.9 CU. FT. (0,51 CU. M.)	



Air Release Valve Required When Static Discharge Pressure Exceeds 8 psi (0,56 kg/cm²).



THE GORMAN-RUPP COMPANY • MANSFIELD, OHIO

GORMAN-RUPP OF CANADA LIMITED • ST. THOMAS, ONTARIO, CANADA

Specifications Subject to Change Without Notice

Printed in U.S.A.