

ACE



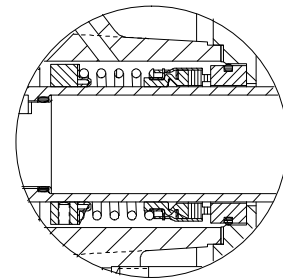
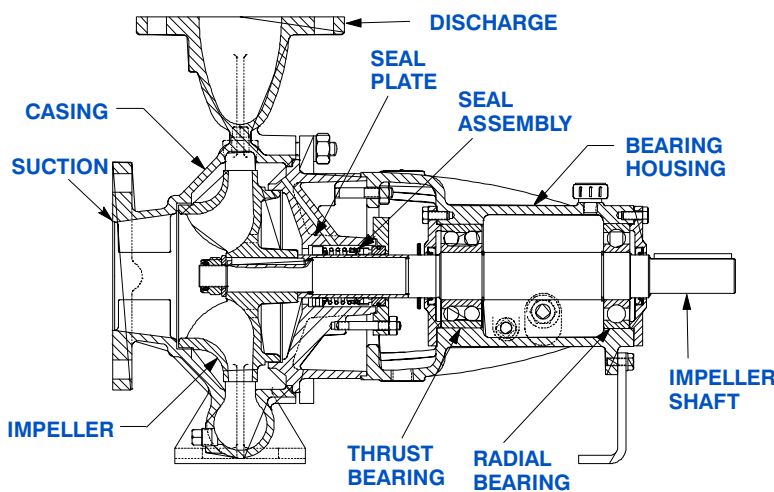
Basic Pedestal Standard Centrifugal Pump Model VG4C3-B Size 5" x 4"

PUMP SPECIFICATIONS

- Size:** 5" x 4" (127 mm x 102 mm) Flanged.
- Casing:** Gray Iron 40.
Maximum Operating Pressure 116 psi (800 kPa).*
- Enclosed Type, Six Vane Impeller:** Gray Iron 40.
Handles 11/16" (17,5 mm) Diameter Spherical Solids.
- Impeller Shaft:** Steel 1045.
- Shaft Sleeve:** Stainless Steel 420.
- Seal Plate:** Gray Iron 40.
- Bearing Housing:** Gray Iron 40.
- Radial Bearing:** Open Single Row Ball.
- Thrust Bearing:** Open Double Row Ball.
- Bearing Lubrication:** SAE 30 Non-Detergent Oil.
- Gaskets:** Nitrile Rubber.
- O-Ring:** Fluorocarbon (DuPont Viton® or Equivalent).
- Hardware:** Standard Plated Steel.
- Oil Level Sight Gauge.**

Optional Equipment: NPT Suction and Discharge Flanges.
Strainer. Stainless Steel Impeller. Mechanical Seal with Fluorocarbon Elastomers (DuPont Viton® or Equivalent).
Hand Primer. Manual Discharge Check Valve.

**Consult Factory for Applications Exceeding
Maximum Pressure and/or Temperature Indicated.*



SEAL DETAIL

Type 1, Mechanical, Self-Lubricated. Carbon Rotating Face. Ceramic Stationary Seat. Buna-N Elastomers. Stainless Steel Cage and Spring. Maximum Temperature of Liquid Pumped, 160°F (71°C).*



THE GORMAN-RUPP COMPANY • MANSFIELD, OHIO

GORMAN-RUPP OF CANADA LIMITED • ST. THOMAS, ONTARIO, CANADA

www.grpumps.com

Specifications Subject to Change Without Notice

Printed in U.S.A.

Specification Data

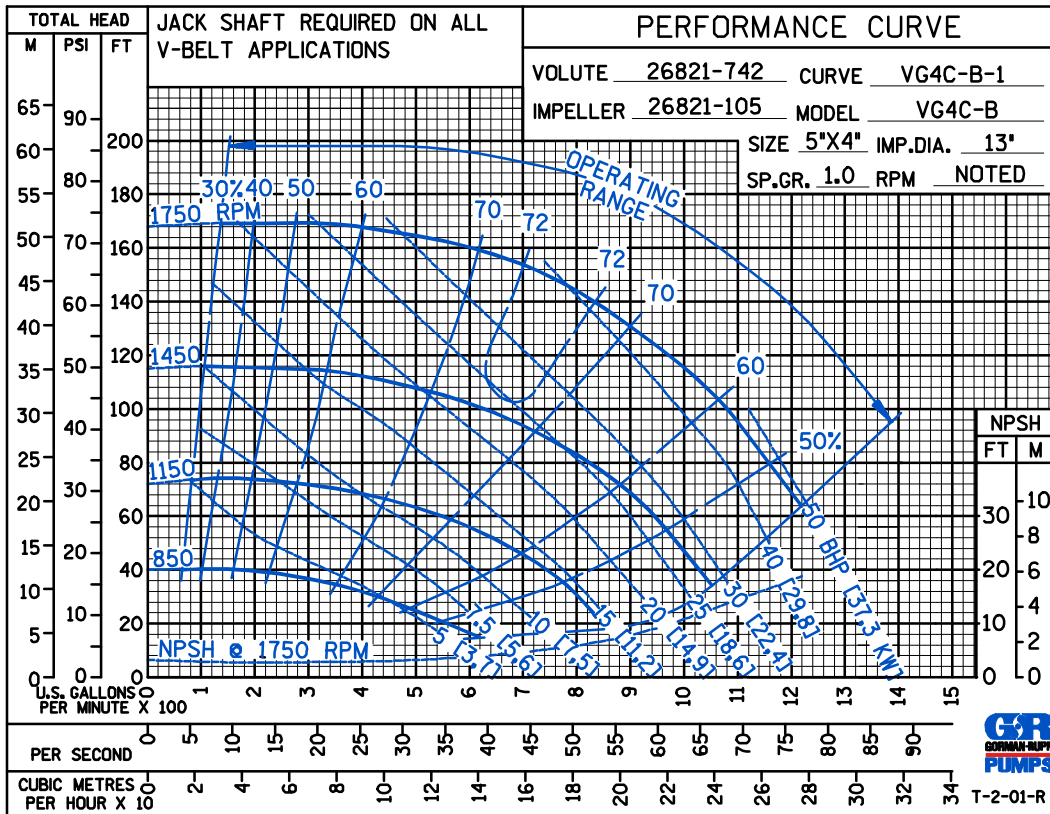
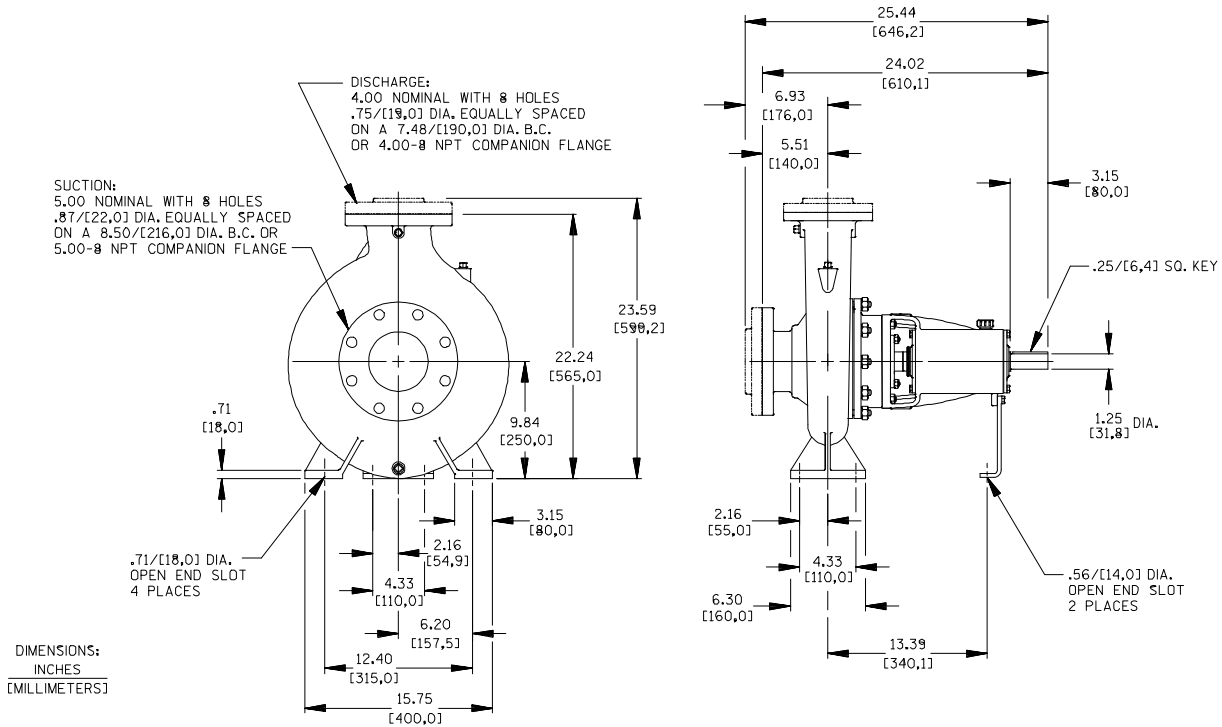
SECTION 70, PAGE 710

APPROXIMATE DIMENSIONS and WEIGHTS

NET WEIGHT: 250 LBS. (113,3 KG.)

SHIPPING WEIGHT: 275 LBS. (124,7 KG.)

EXPORT CRATE SIZE: 11.9 CU. FT. (0,34 CU. M.)



THE GORMAN-RUPP COMPANY • MANSFIELD, OHIO

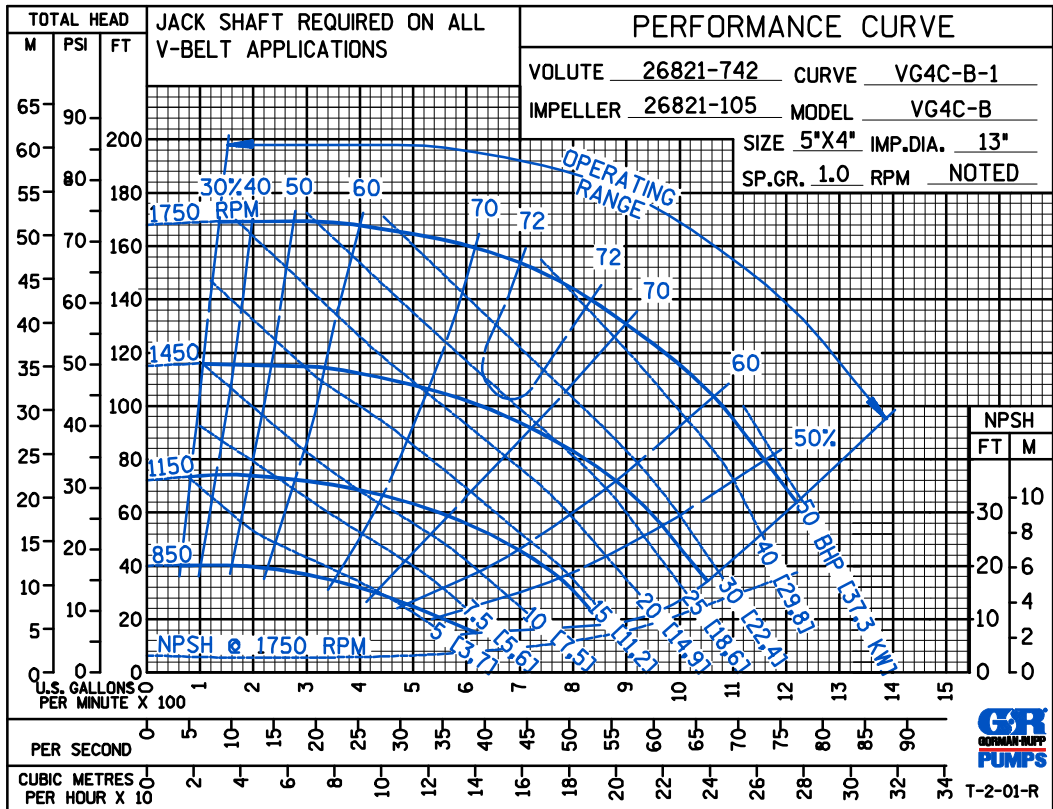
GORMAN-RUPP OF CANADA LIMITED • ST. THOMAS, ONTARIO, CANADA

Specifications Subject to Change Without Notice

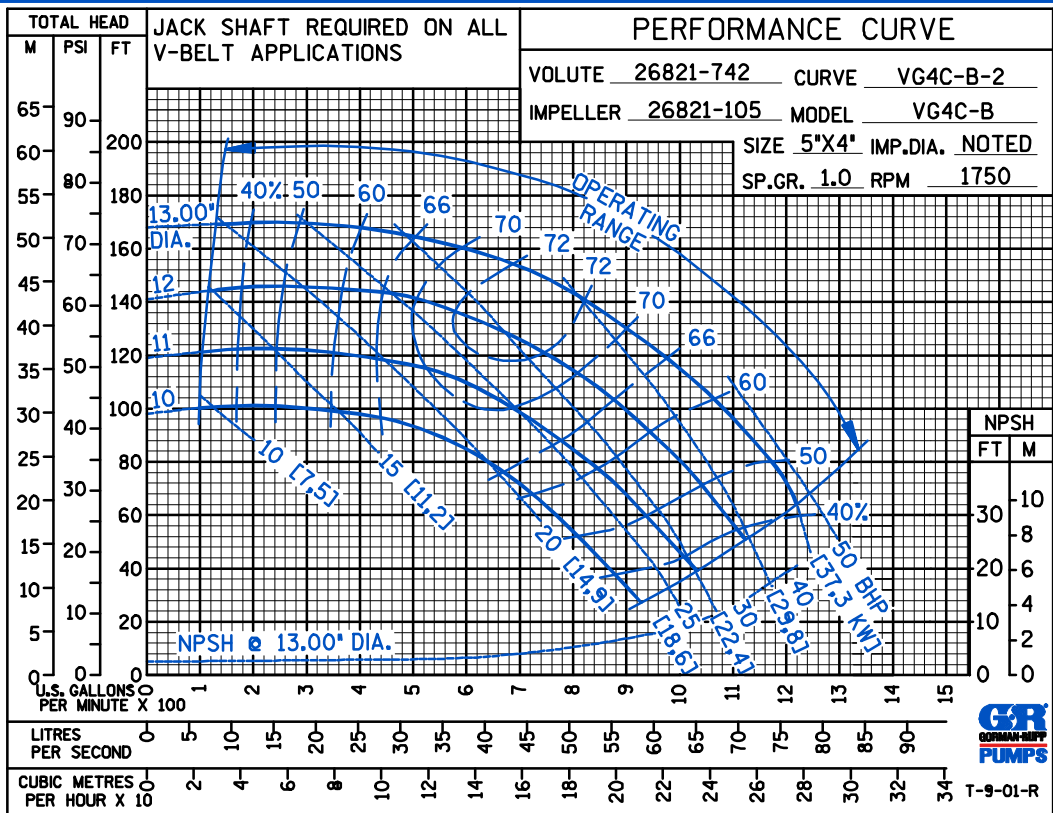
Printed in U.S.A.

ACE

PERFORMANCE
BASED ON
WATER



PERFORMANCE
BASED ON
WATER



THE GORMAN-RUPP COMPANY • MANSFIELD, OHIO

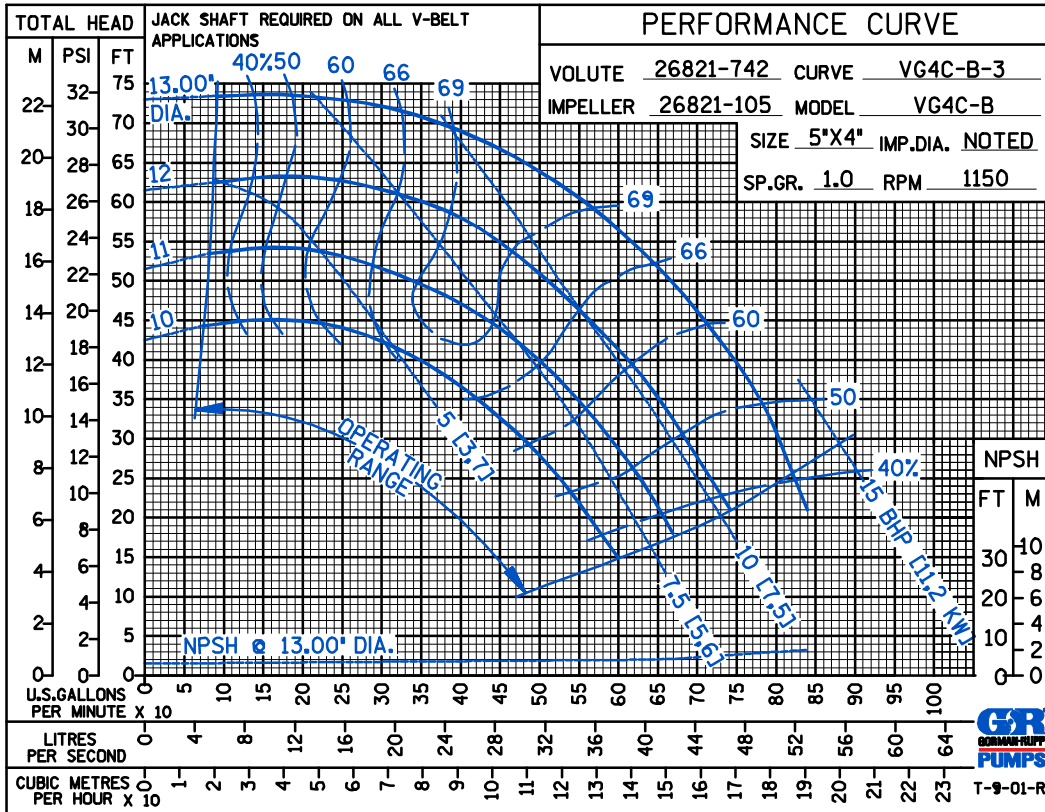
GORMAN-RUPP OF CANADA LIMITED • ST. THOMAS, ONTARIO, CANADA

Specifications Subject to Change Without Notice

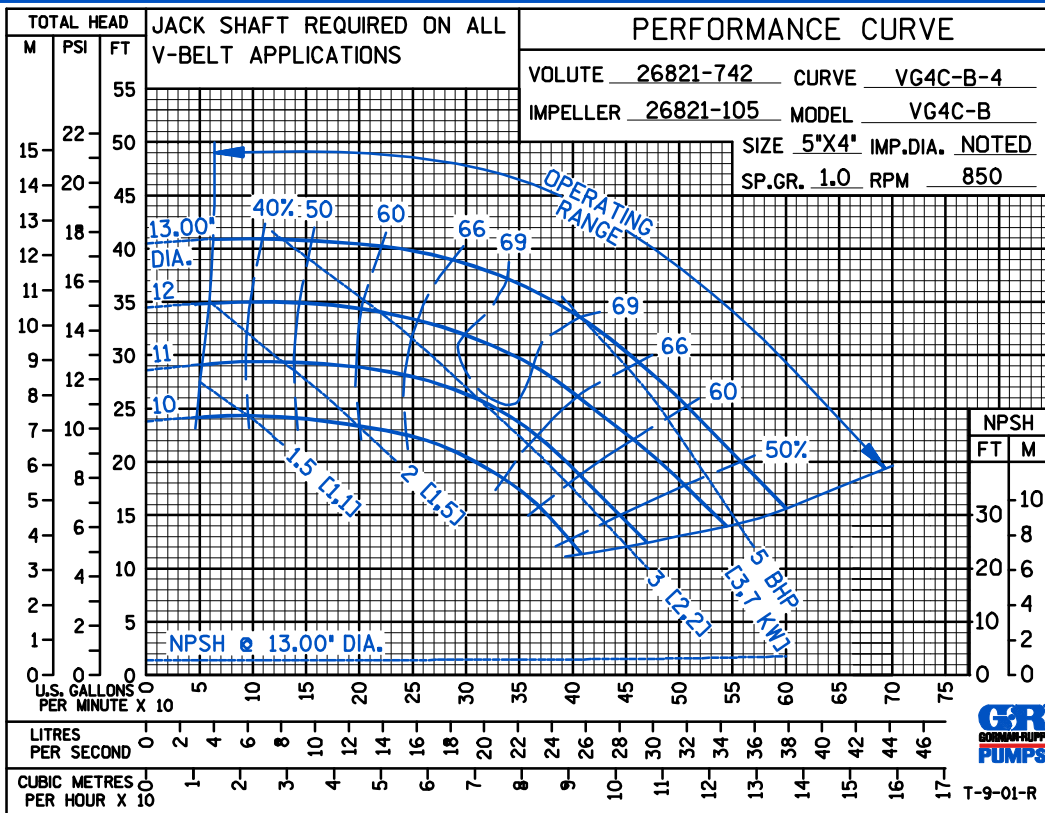
Printed in U.S.A.

ACE

PERFORMANCE
BASED ON
WATER



PERFORMANCE
BASED ON
WATER



THE GORMAN-RUPP COMPANY • MANSFIELD, OHIO

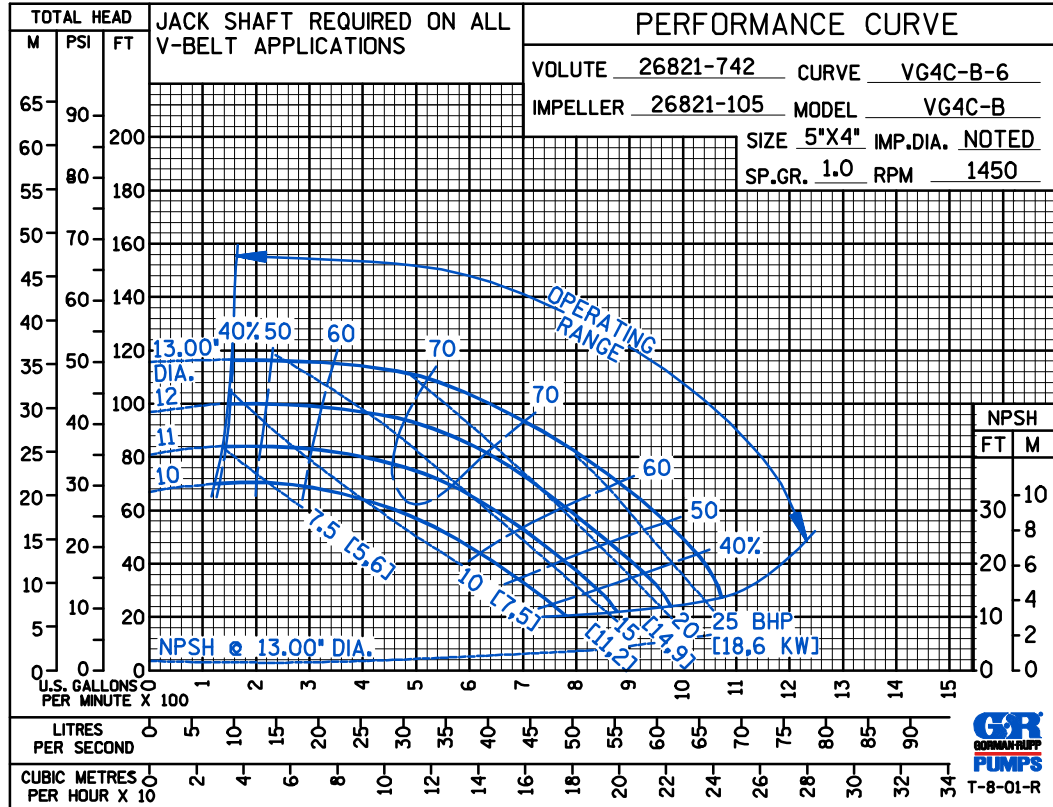
GORMAN-RUPP OF CANADA LIMITED • ST. THOMAS, ONTARIO, CANADA

Specifications Subject to Change Without Notice

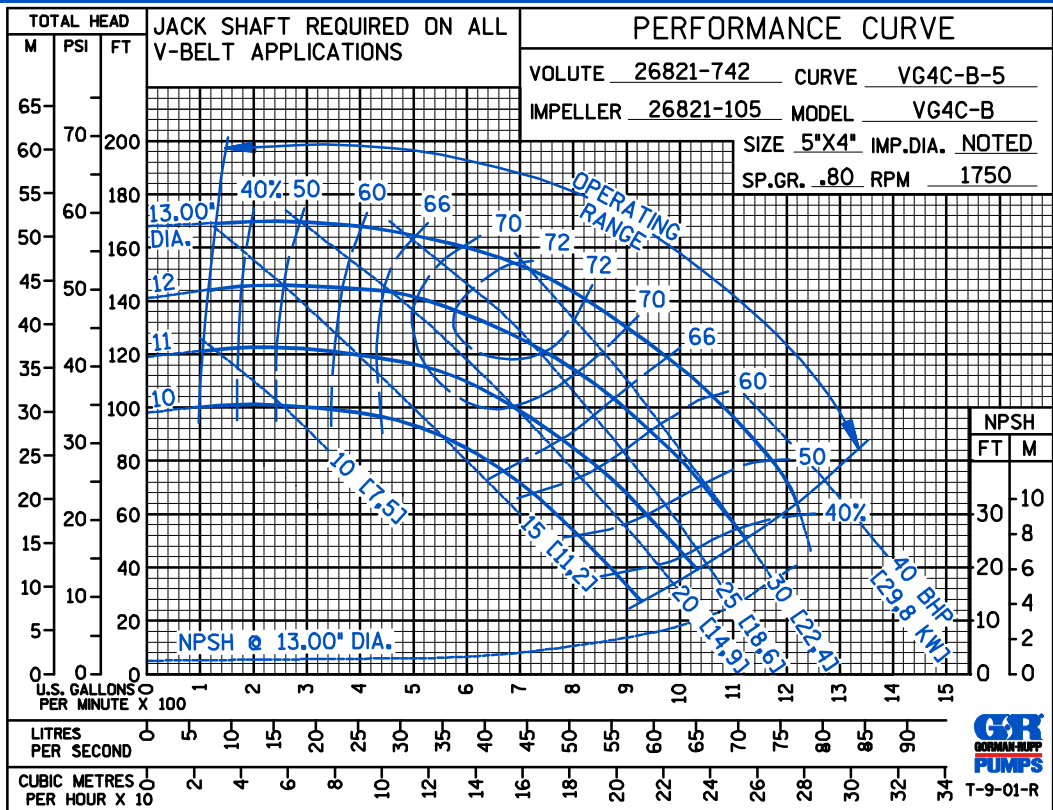
Printed in U.S.A.

ACE

PERFORMANCE
BASED ON
WATER



PERFORMANCE
BASED ON
PETROLEUM



THE GORMAN-RUPP COMPANY • MANSFIELD, OHIO

GORMAN-RUPP OF CANADA LIMITED • ST. THOMAS, ONTARIO, CANADA

Specifications Subject to Change Without Notice

Printed in U.S.A.