

A B C E



Basic Pedestal Standard Centrifugal Pump

Model VGH2 1/2B31-B

Size 4" x 2 1/2"

PUMP SPECIFICATIONS

Size: 4" x 2 1/2" (102 mm x 64 mm) Raised Face Flanges.

Casing: Ductile Iron.

Maximum Operating Pressure 179 psi (1234 kPa).*

Enclosed Type, Six Vane Impeller: Gray Iron 40.

Handles 35/64" (14 mm) Diameter Spherical Solids.

Impeller Shaft: Steel 1045.

Two Replaceable Wear Rings: Gray Iron 25.

Seal Plate: Ductile Iron.

Bypass Flush Piping.

Bearing Housing: Gray Iron 25.

Radial Bearing: Open Cylindrical Roller.

Thrust Bearing: Open Double Row Ball.

Bearing Lubrication: SAE 30 Non-Detergent Oil.

Gaskets: Nitrile Rubber.

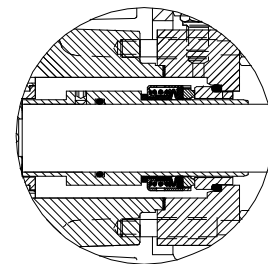
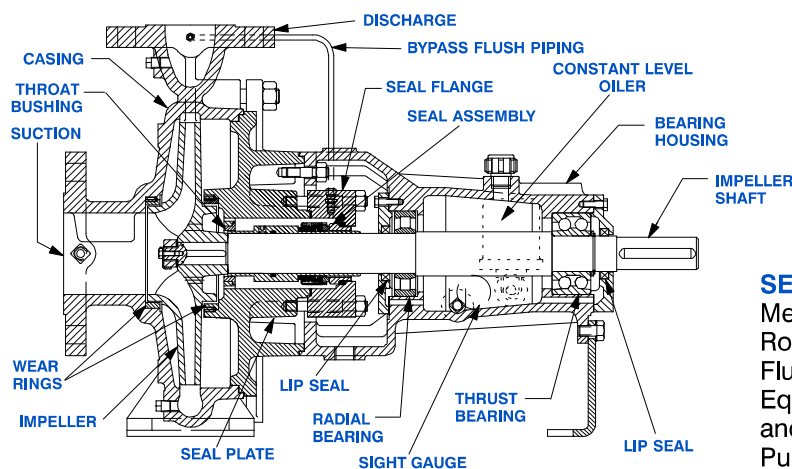
Hardware: Standard Plated Steel.

Bearing Housing Level Oiler.

Optional Equipment: Strainer. NPT Suction and Discharge Flanges. Stainless Steel Impeller. Consult Factory for Optional Seals.



**Consult Factory for Applications Exceeding
Maximum Pressure and/or Temperature Indicated.*



SEAL DETAIL

Mechanical, Self-Lubricated. Silicon Carbide Rotating and Stationary Faces. Fluorocarbon Elastomers (DuPont Viton® or Equivalent). Stainless Steel 316 Shaft Sleeve and Spring. Maximum Temperature of Liquid Pumped, 160°F (71°C).*



THE GORMAN-RUPP COMPANY • MANSFIELD, OHIO

GORMAN-RUPP OF CANADA LIMITED • ST. THOMAS, ONTARIO, CANADA

www.grpumps.com

Specifications Subject to Change Without Notice

Printed in U.S.A.

Specification Data

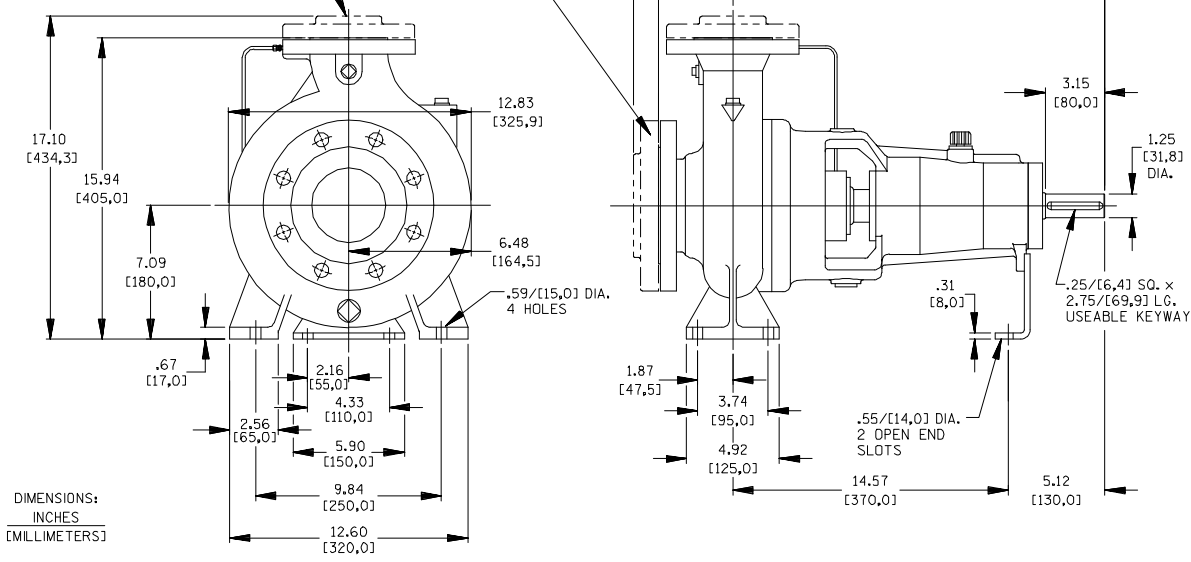
SECTION 70, PAGE 281

APPROXIMATE DIMENSIONS and WEIGHTS

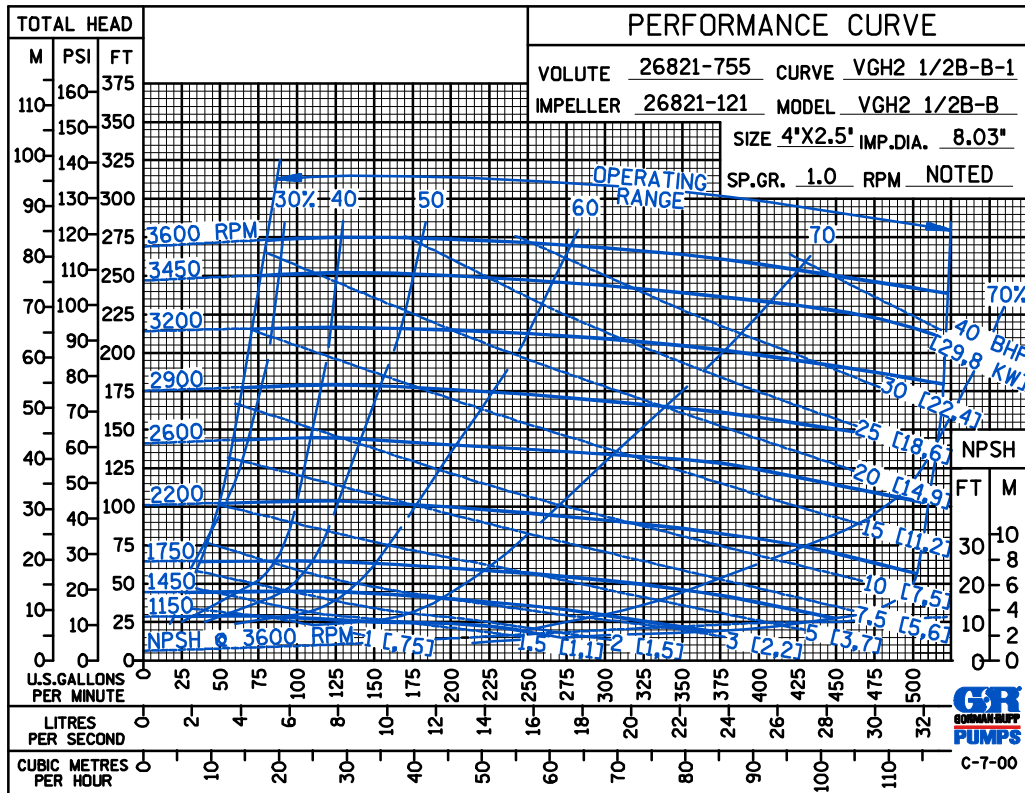
NET WEIGHT: 151 LBS. (68 KG.)
SHIPPING WEIGHT: 161 LBS. (73 KG.)
EXPORT CRATE SIZE: 7.9 CU. FT. (0,22 CU. M.)

DISCHARGE:
 2.50 NOMINAL WITH 4 HOLES EQUALLY SPACED ON A 5.51/[140,0] DIA. B.C. OR OPTIONAL 2.50-8 NPT COMPANION FLANGE

SUCTION:
 4.00 NOMINAL WITH 8 HOLES EQUALLY SPACED ON A 7.48/[190,0] DIA. B.C. OR OPTIONAL 4.00-8 NPT COMPANION FLANGE



PERFORMANCE
 BASED ON
 WATER



THE GORMAN-RUPP COMPANY • MANSFIELD, OHIO

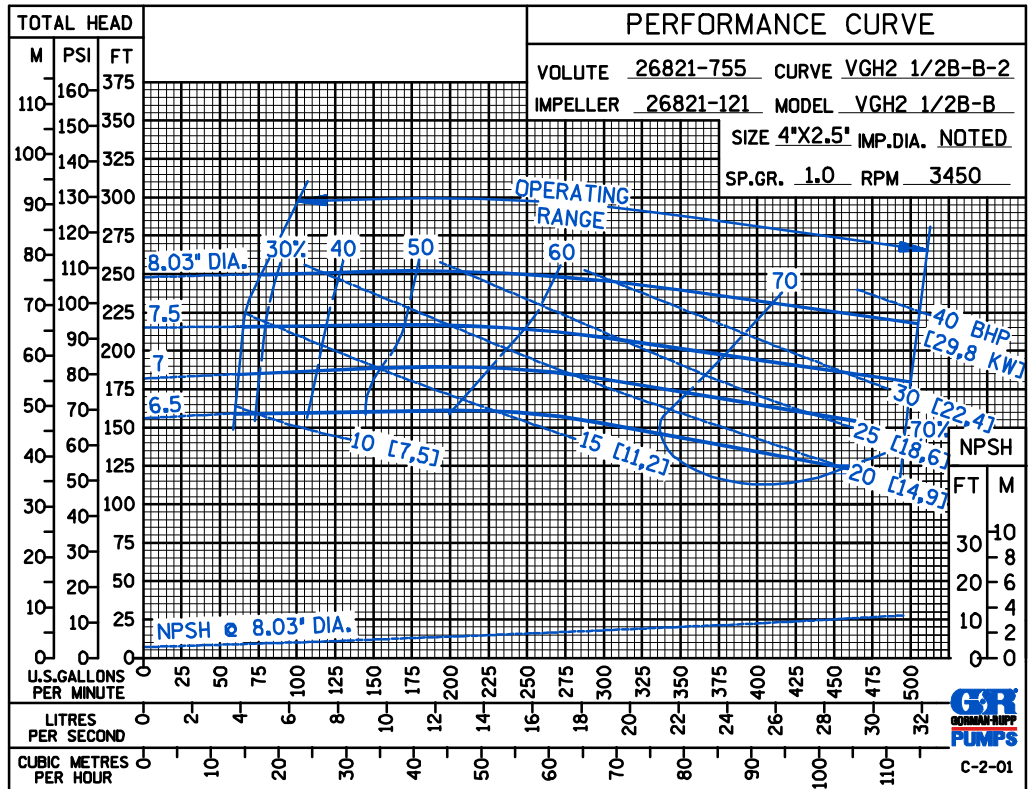
GORMAN-RUPP OF CANADA LIMITED • ST. THOMAS, ONTARIO, CANADA

Specifications Subject to Change Without Notice

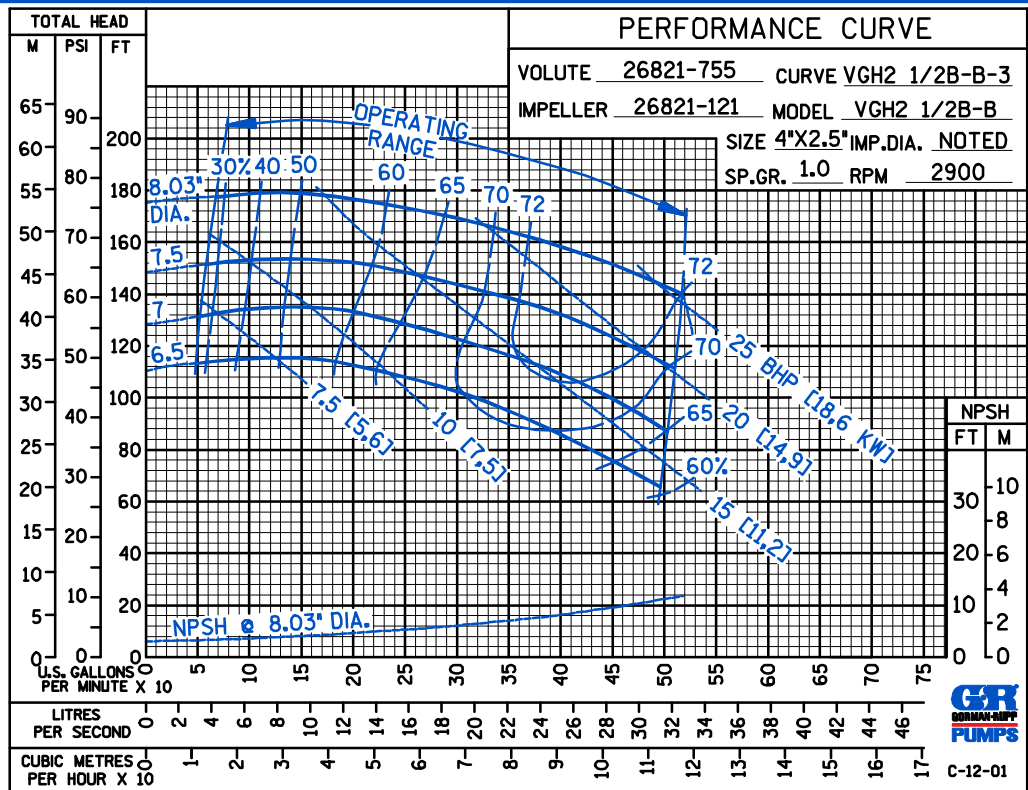
Printed in U.S.A.

A B C E

PERFORMANCE
BASED ON
WATER



PERFORMANCE
BASED ON
WATER



THE GORMAN-RUPP COMPANY • MANSFIELD, OHIO

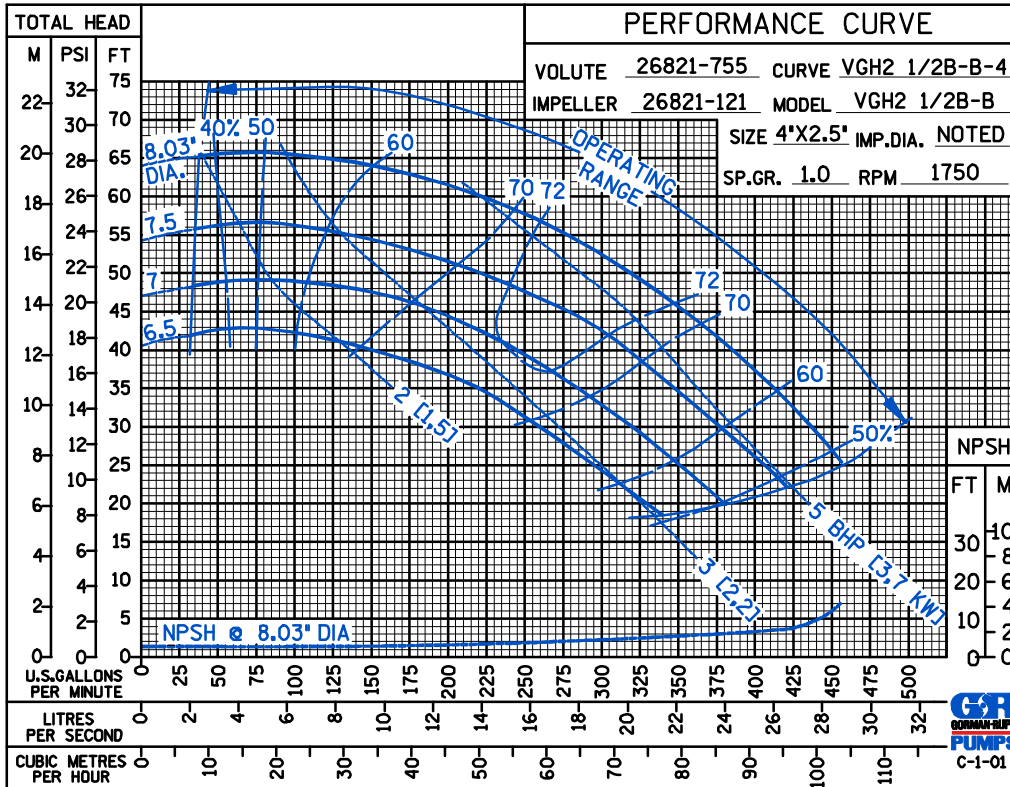
GORMAN-RUPP OF CANADA LIMITED • ST. THOMAS, ONTARIO, CANADA

Specifications Subject to Change Without Notice

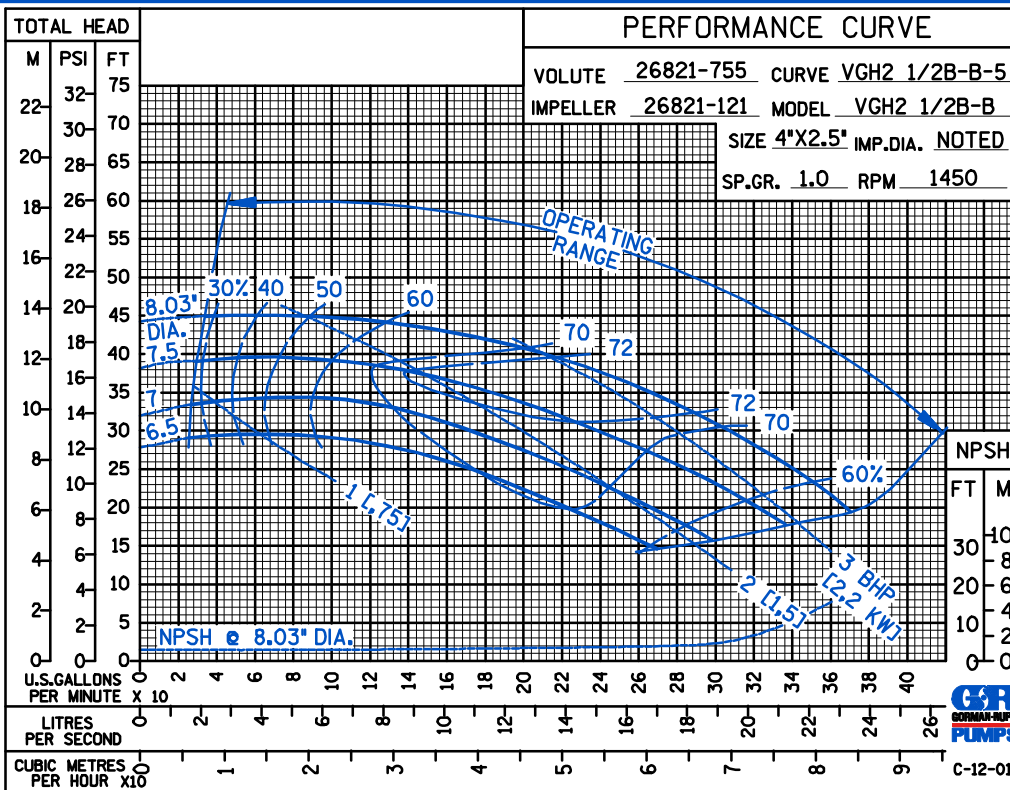
Printed in U.S.A.

A B C E

PERFORMANCE
BASED ON
WATER



PERFORMANCE
BASED ON
WATER



THE GORMAN-RUPP COMPANY • MANSFIELD, OHIO

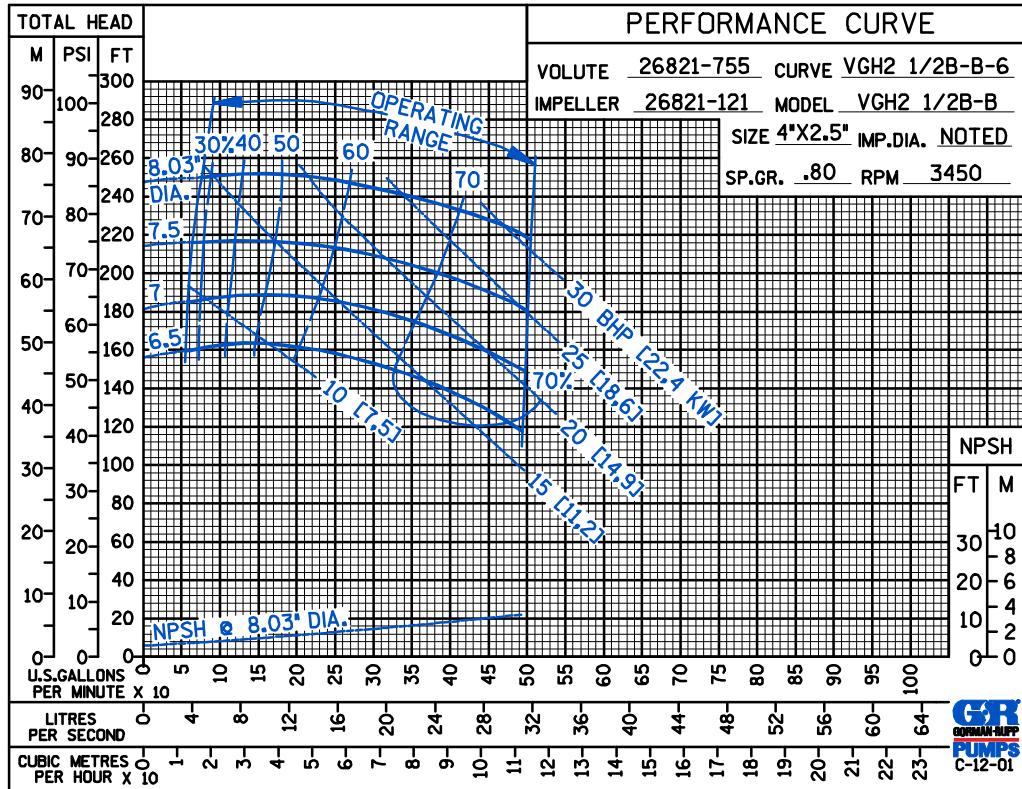
GORMAN-RUPP OF CANADA LIMITED • ST. THOMAS, ONTARIO, CANADA

Specifications Subject to Change Without Notice

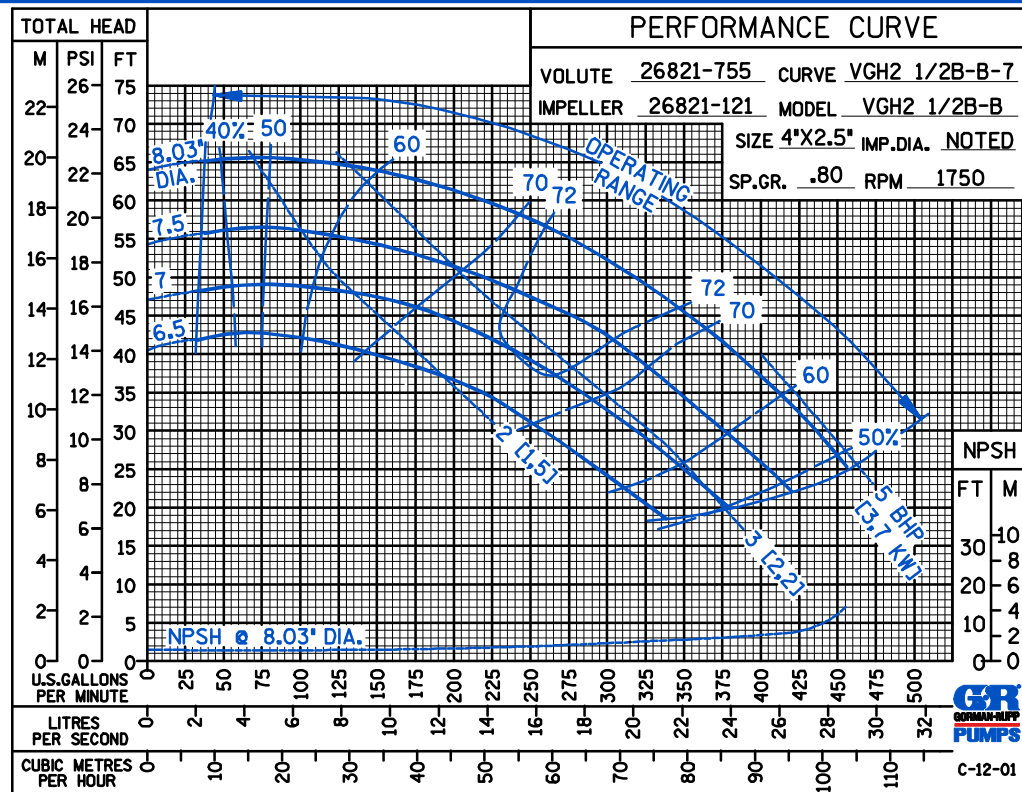
Printed in U.S.A.

A B C E

PERFORMANCE
BASED ON
PETROLEUM



PERFORMANCE
BASED ON
PETROLEUM



THE GORMAN-RUPP COMPANY • MANSFIELD, OHIO

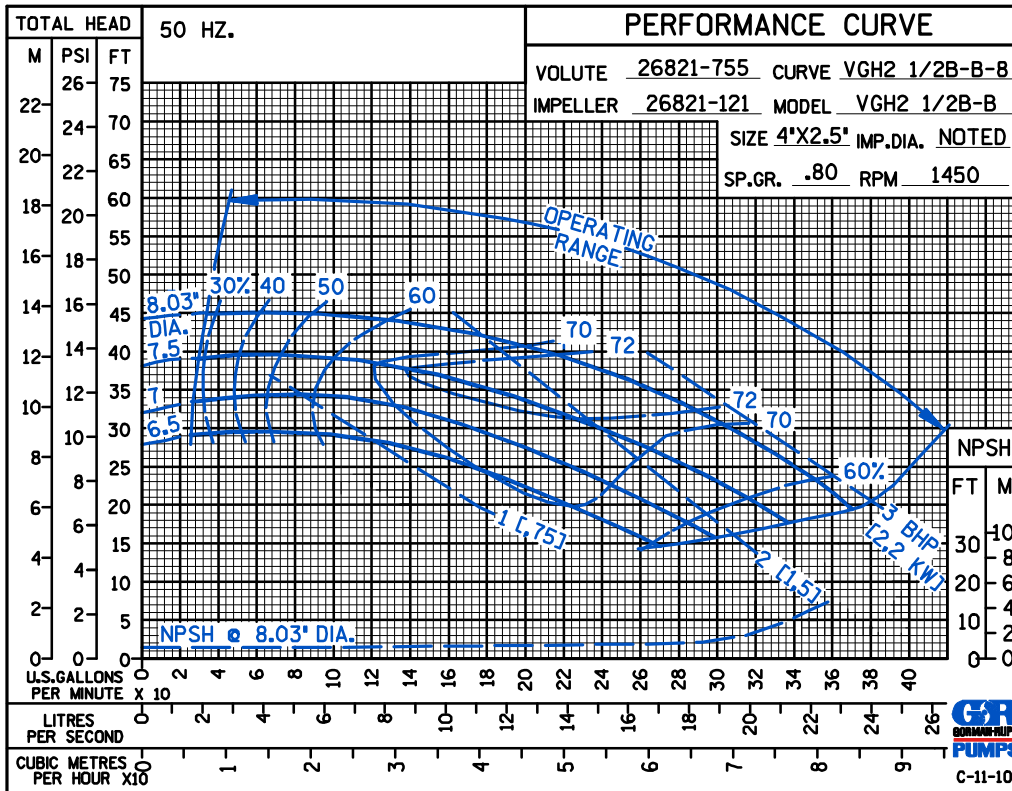
GORMAN-RUPP OF CANADA LIMITED • ST. THOMAS, ONTARIO, CANADA

Specifications Subject to Change Without Notice

Printed in U.S.A.

A B C E

50 HERTZ
PERFORMANCE
BASED ON
PETROLEUM



THE GORMAN-RUPP COMPANY • MANSFIELD, OHIO

GORMAN-RUPP OF CANADA LIMITED • ST. THOMAS, ONTARIO, CANADA

Specifications Subject to Change Without Notice

Printed in U.S.A.