

ABCE



# Basic Pedestal Standard Centrifugal Pump

## Model VGH3C31-B

### Size 5" x 3"

#### PUMP SPECIFICATIONS

**Size:** 5" x 3" (127 mm x 76 mm) Raised Face Flanges.

**Casing:** Ductile Iron.

Maximum Operating Pressure 306 psi (2110 kPa).\*

**Enclosed Type, Six Vane Impeller:** Gray Iron 40.

Handles 35/64" (14 mm) Diameter Spherical Solids.

**Impeller Shaft:** Steel 1045.

**Two Replaceable Wear Rings:** Gray Iron 25.

**Seal Plate:** Ductile Iron.

**Bypass Flush Piping.**

**Bearing Housing:** Gray Iron 25.

**Radial Bearing:** Open Cylindrical Roller.

**Thrust Bearing:** Open Double Row Ball.

**Bearing Lubrication:** SAE 30 Non-Detergent Oil.

**Gaskets:** Nitrile Rubber.

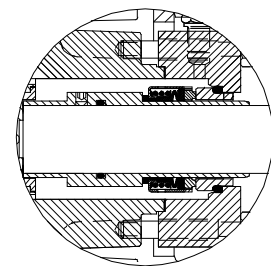
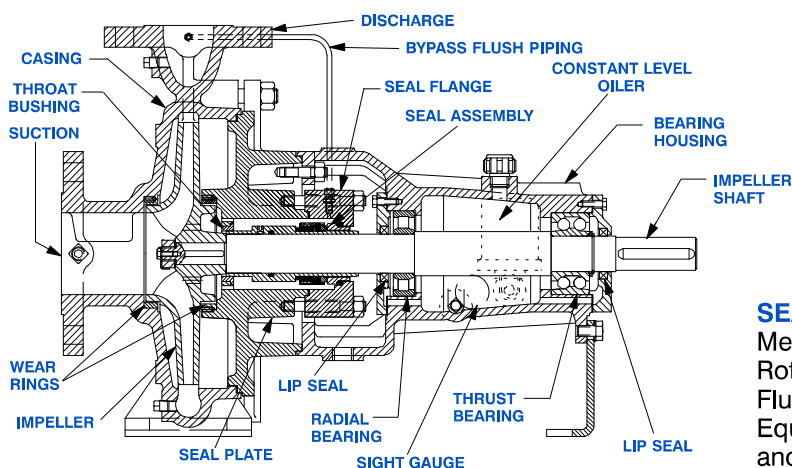
**Hardware:** Standard Plated Steel.

**Bearing Housing Level Oiler.**

**Optional Equipment:** Strainer. NPT Suction and Discharge Flanges. Consult Factory for Optional Seals.



*\*Consult Factory for Applications Exceeding Maximum Pressure and/or Temperature Indicated.*



#### SEAL DETAIL

Mechanical, Self-Lubricated. Silicon Carbide Rotating and Stationary Faces. Fluorocarbon Elastomers (DuPont Viton® or Equivalent). Stainless Steel 316 Shaft Sleeve and Spring. Maximum Temperature of Liquid Pumped, 160°F (71°C).\*



THE GORMAN-RUPP COMPANY • MANSFIELD, OHIO

GORMAN-RUPP OF CANADA LIMITED • ST. THOMAS, ONTARIO, CANADA

www.grpumps.com

Specifications Subject to Change Without Notice

Printed in U.S.A.

**Specification Data**

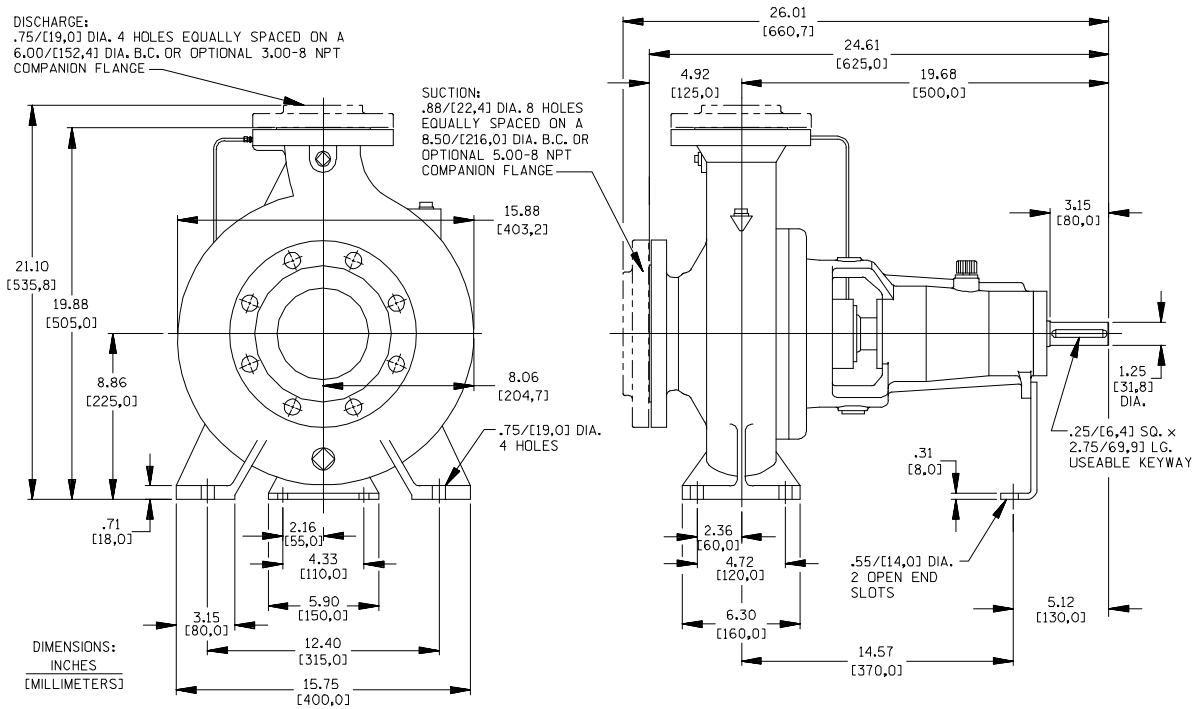
SECTION 70, PAGE 495

APPROXIMATE DIMENSIONS and WEIGHTS

**NET WEIGHT: 219 LBS. (99 KG.)**  
**SHIPPING WEIGHT: 229 LBS. (104 KG.)**  
**EXPORT CRATE SIZE: 13.2 CU. FT. (0,4 CU. M.)**

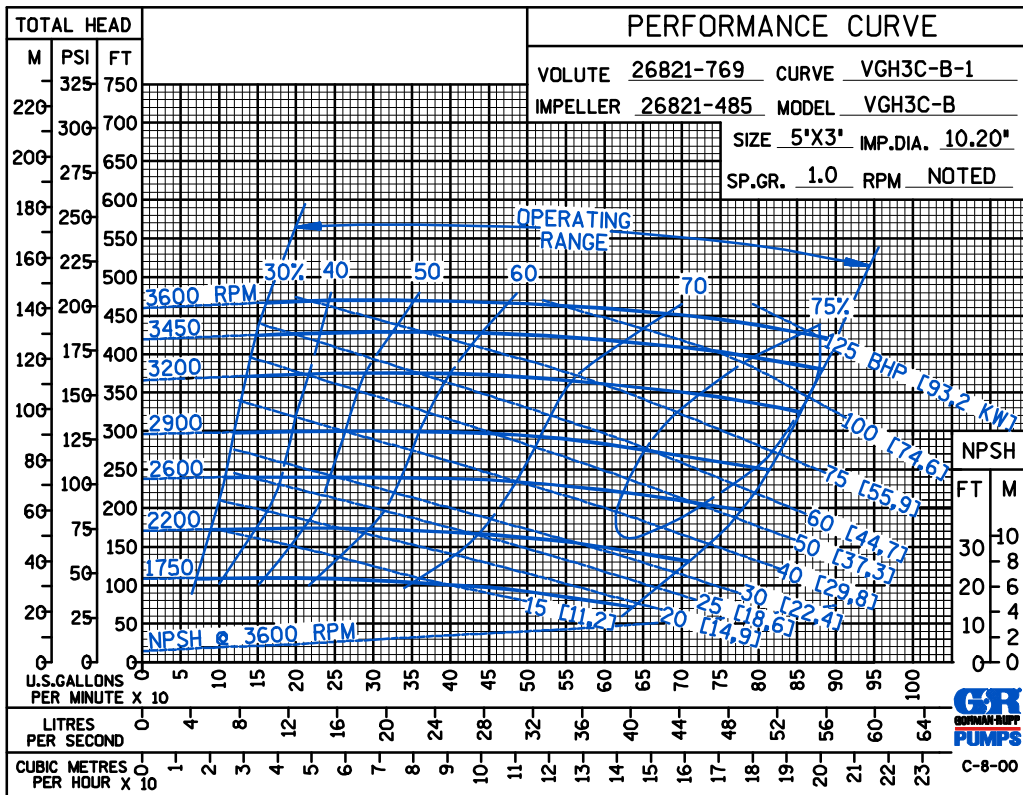
DISCHARGE:  
 .75/[19,0] DIA. 4 HOLES EQUALLY SPACED ON A  
 6.00/[152,4] DIA. B.C. OR OPTIONAL 3.00-8 NPT  
 COMPANION FLANGE

SUCTION:  
 .88/[22,4] DIA. 8 HOLES  
 EQUALLY SPACED ON A  
 8.50/[216,0] DIA. B.C. OR  
 OPTIONAL 5.00-8 NPT  
 COMPANION FLANGE



DIMENSIONS:  
 INCHES  
 [MILLIMETERS]

PERFORMANCE  
 BASED ON  
 WATER



THE GORMAN-RUPP COMPANY • MANSFIELD, OHIO

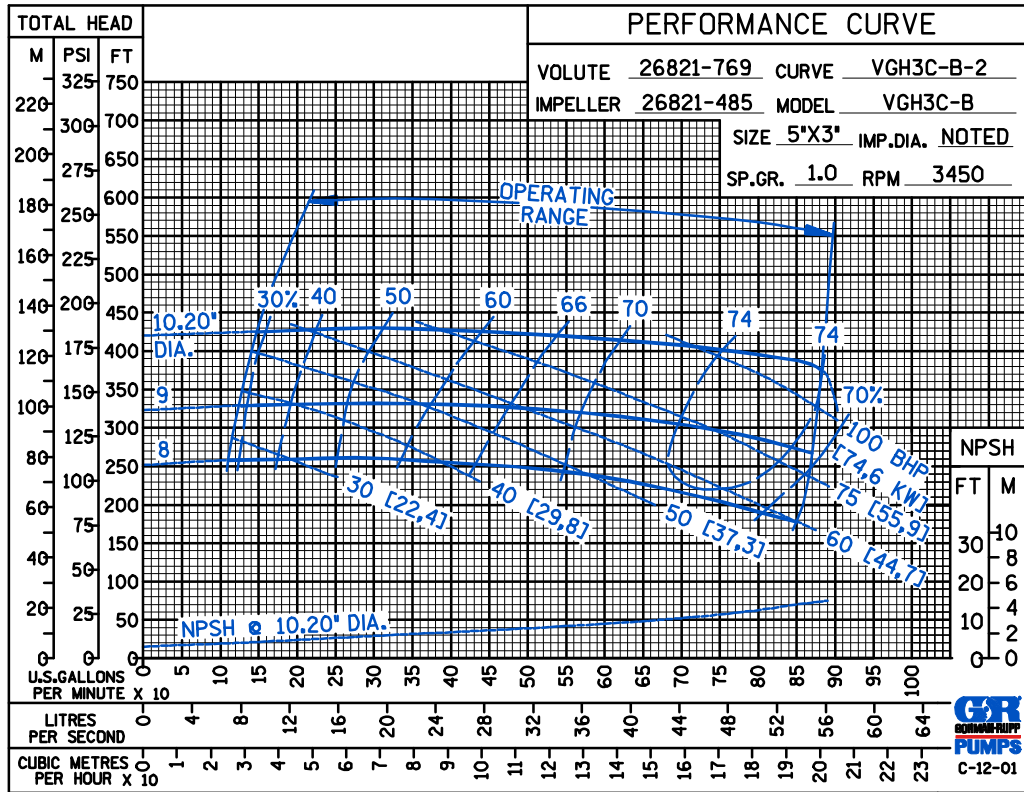
GORMAN-RUPP OF CANADA LIMITED • ST. THOMAS, ONTARIO, CANADA

Specifications Subject to Change Without Notice

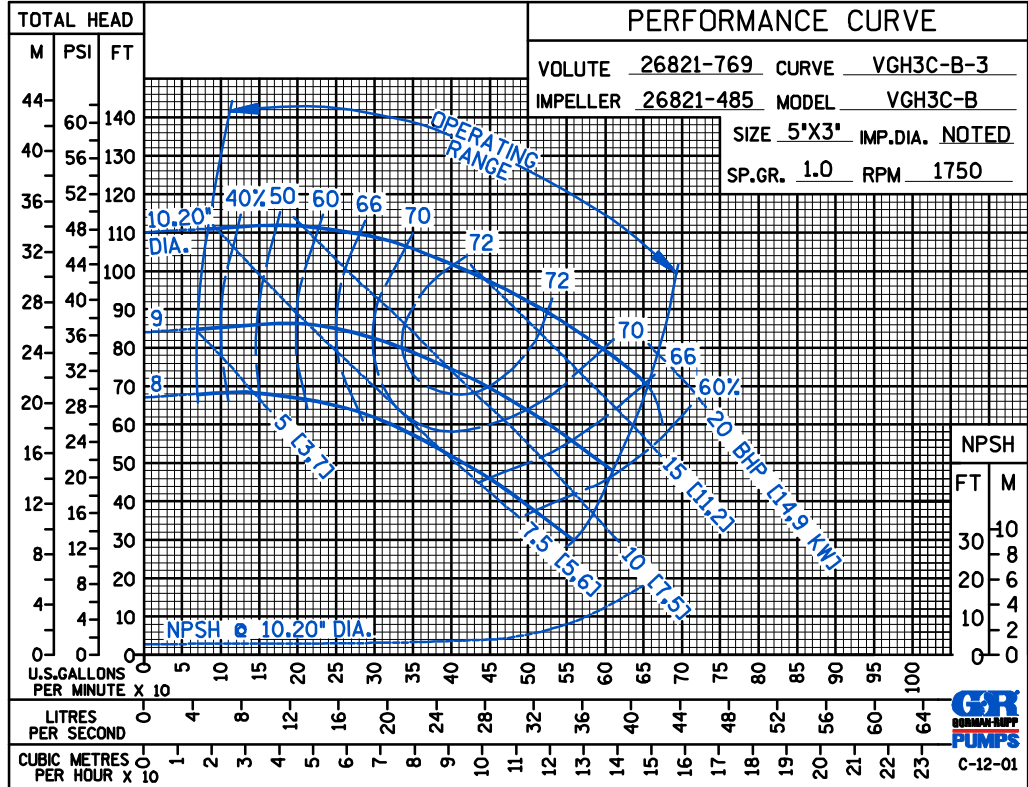
Printed in U.S.A.

A B C E

PERFORMANCE  
BASED ON  
WATER



PERFORMANCE  
BASED ON  
WATER



THE GORMAN-RUPP COMPANY • MANSFIELD, OHIO

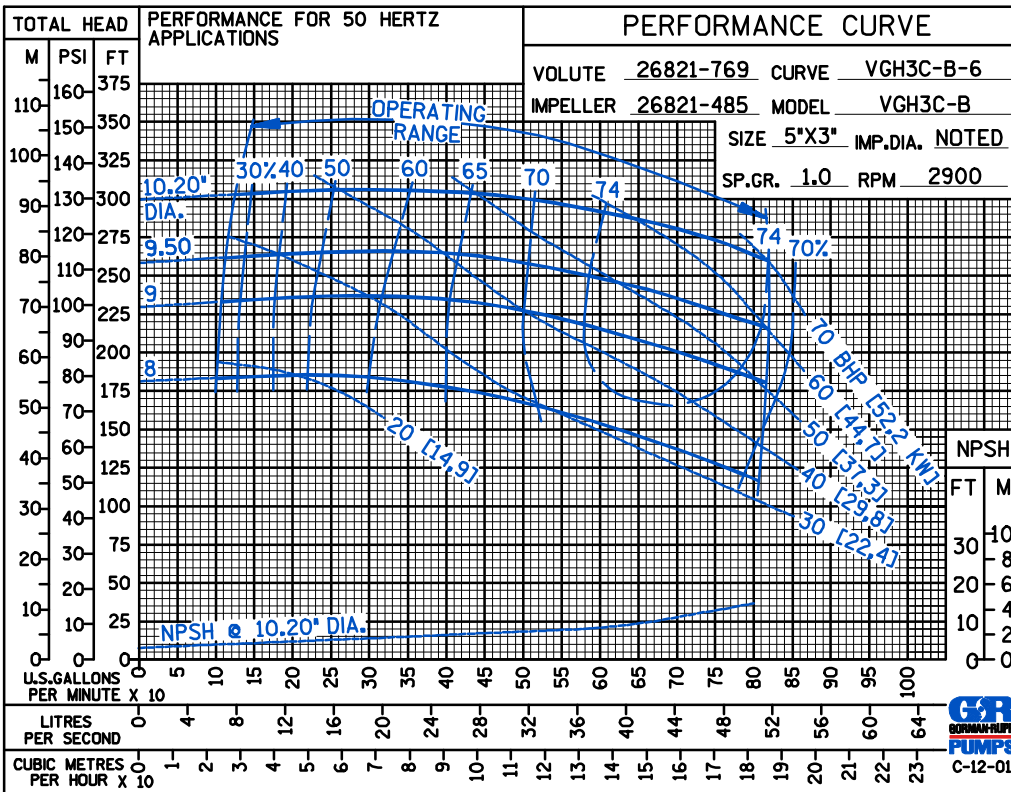
GORMAN-RUPP OF CANADA LIMITED • ST. THOMAS, ONTARIO, CANADA

Specifications Subject to Change Without Notice

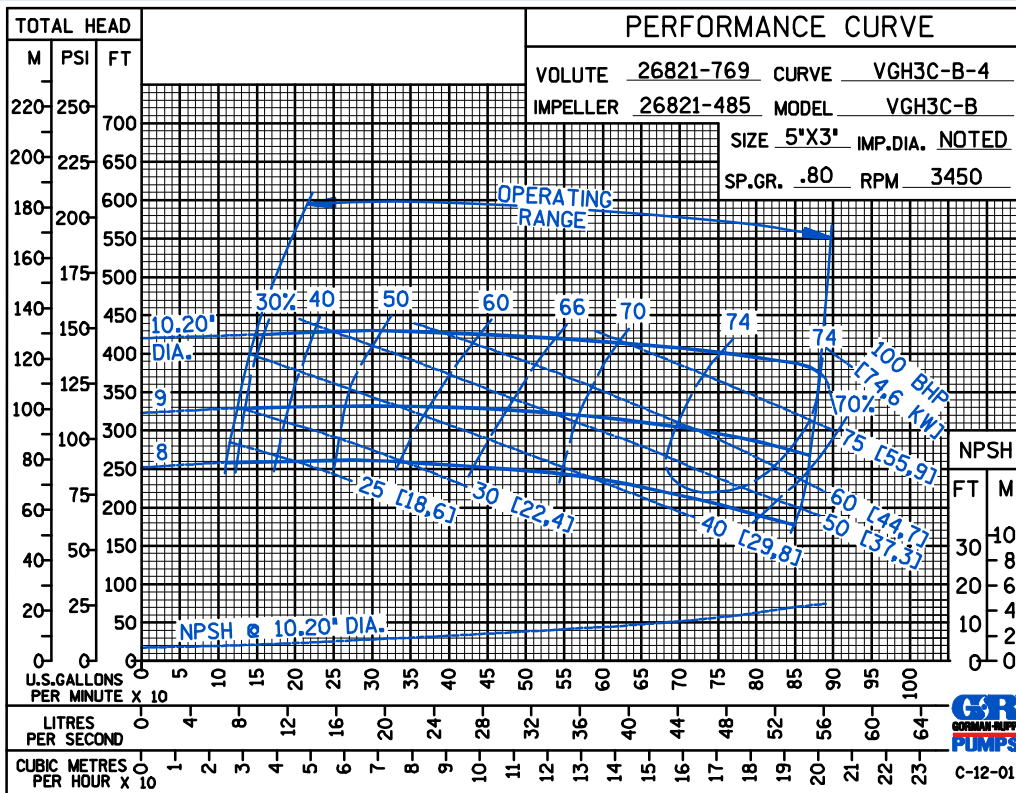
Printed in U.S.A.

A B C E

PERFORMANCE  
BASED ON  
WATER



PERFORMANCE  
BASED ON  
PETROLEUM



THE GORMAN-RUPP COMPANY • MANSFIELD, OHIO

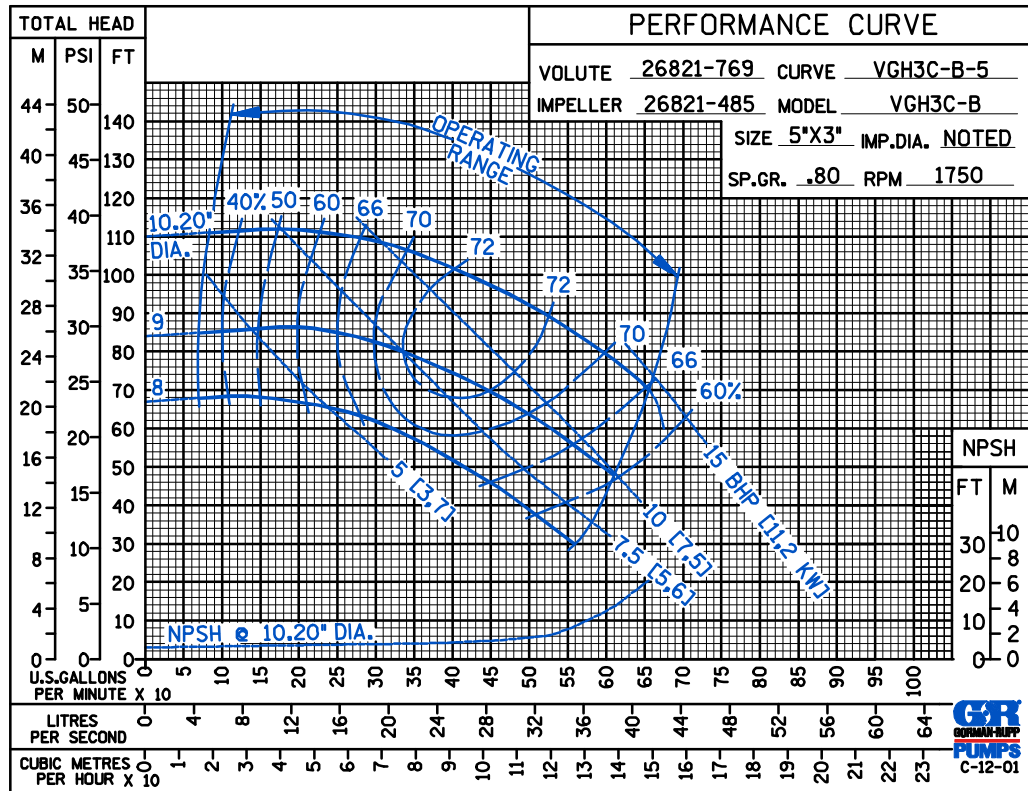
GORMAN-RUPP OF CANADA LIMITED • ST. THOMAS, ONTARIO, CANADA

Specifications Subject to Change Without Notice

Printed in U.S.A.

A B C E

PERFORMANCE  
BASED ON  
PETROLEUM



THE GORMAN-RUPP COMPANY • MANSFIELD, OHIO

GORMAN-RUPP OF CANADA LIMITED • ST. THOMAS, ONTARIO, CANADA

Specifications Subject to Change Without Notice

Printed in U.S.A.